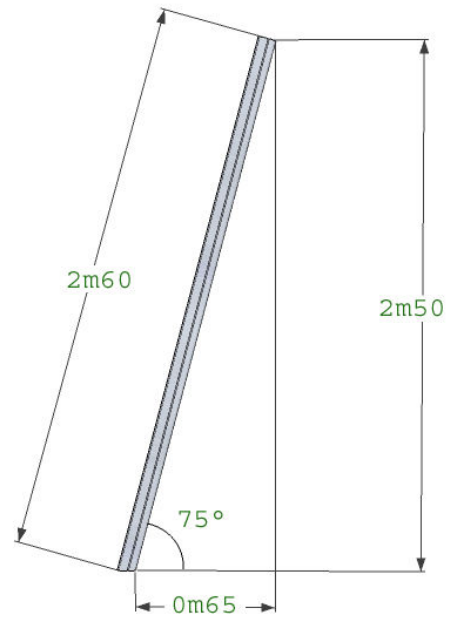


Pole 75/90°

Anodized Aluminum profile with a length of 2.6m (8' 6"). When placed on an angle, the pole height is 2.5m (8' 2.5")

The Ingenua pole always delivered complete with a [sliding unit](#) used for hooking on and adjusting the height of an 'Ingenua' shade sail.

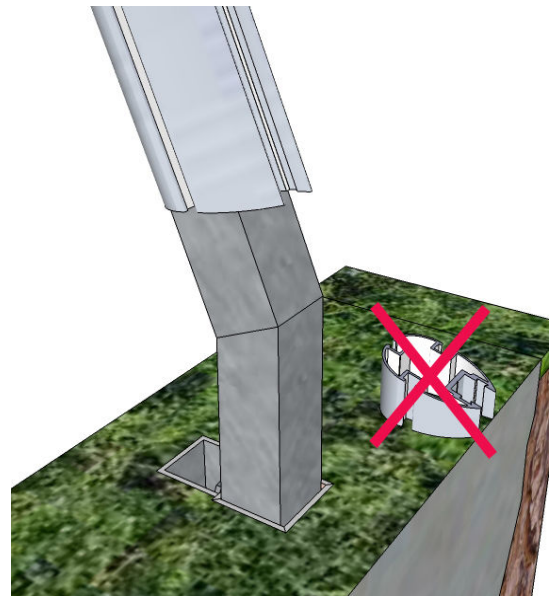
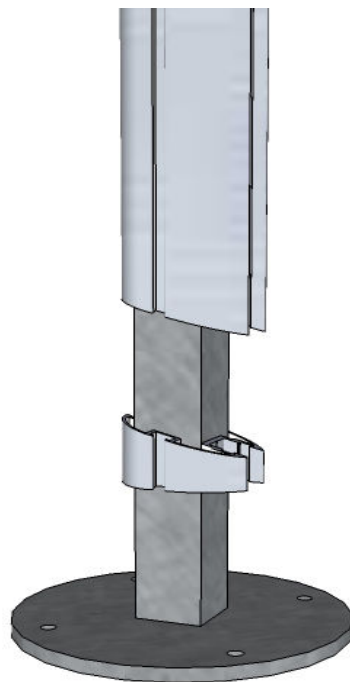
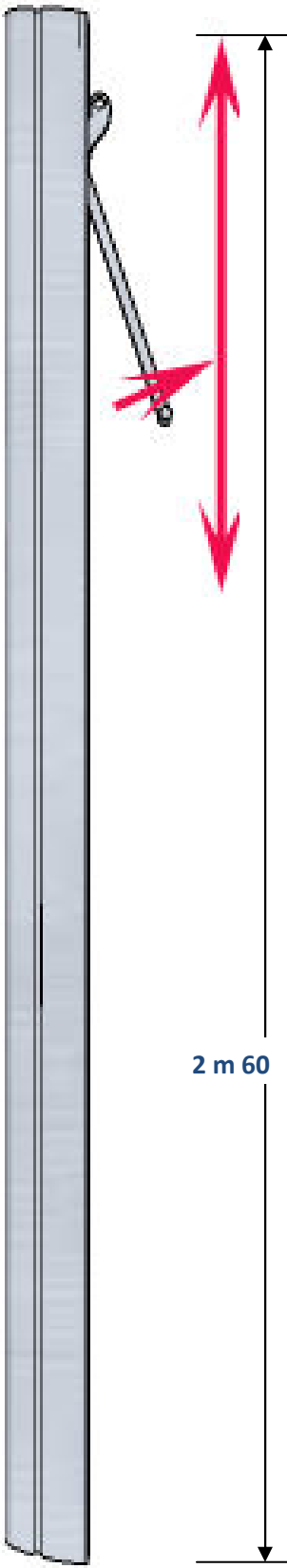
A [connecting piece](#) which is only useful if the pole is placed at a [90°](#), is also provided.



Pole assembly 90° on a straight support

Pole assembly 75° on an ground fittings

Connecting piece is not required



2 m 60



[Connecting piece 90°](#) is always delivered together with the Ingenua pole. Only to be used to connect the sloping underside of the pole to the bottom, in case a straight (90°) connection is used.