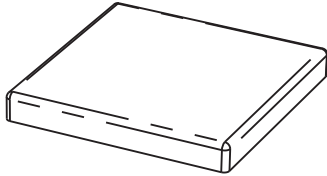




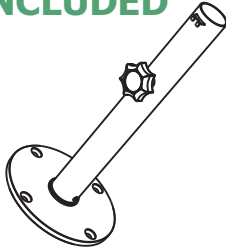
# WOODLINE FREE STANDING US PAVER BASE KIT - SINGLE

(SEE OVERLEAF FOR ASSEMBLY DIAGRAM.)

### PARTS NOT INCLUDED

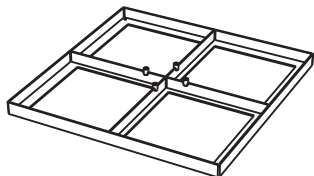


4 x SQUARE  
16 X 16 X 2" CONCRETE  
SLABS

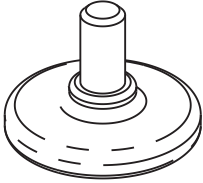


1 x CENTRE POLE TUBE  
FOR 25/32/38 mm

### PARTS LIST



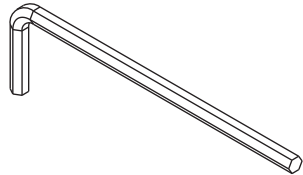
1 x BASE FRAME



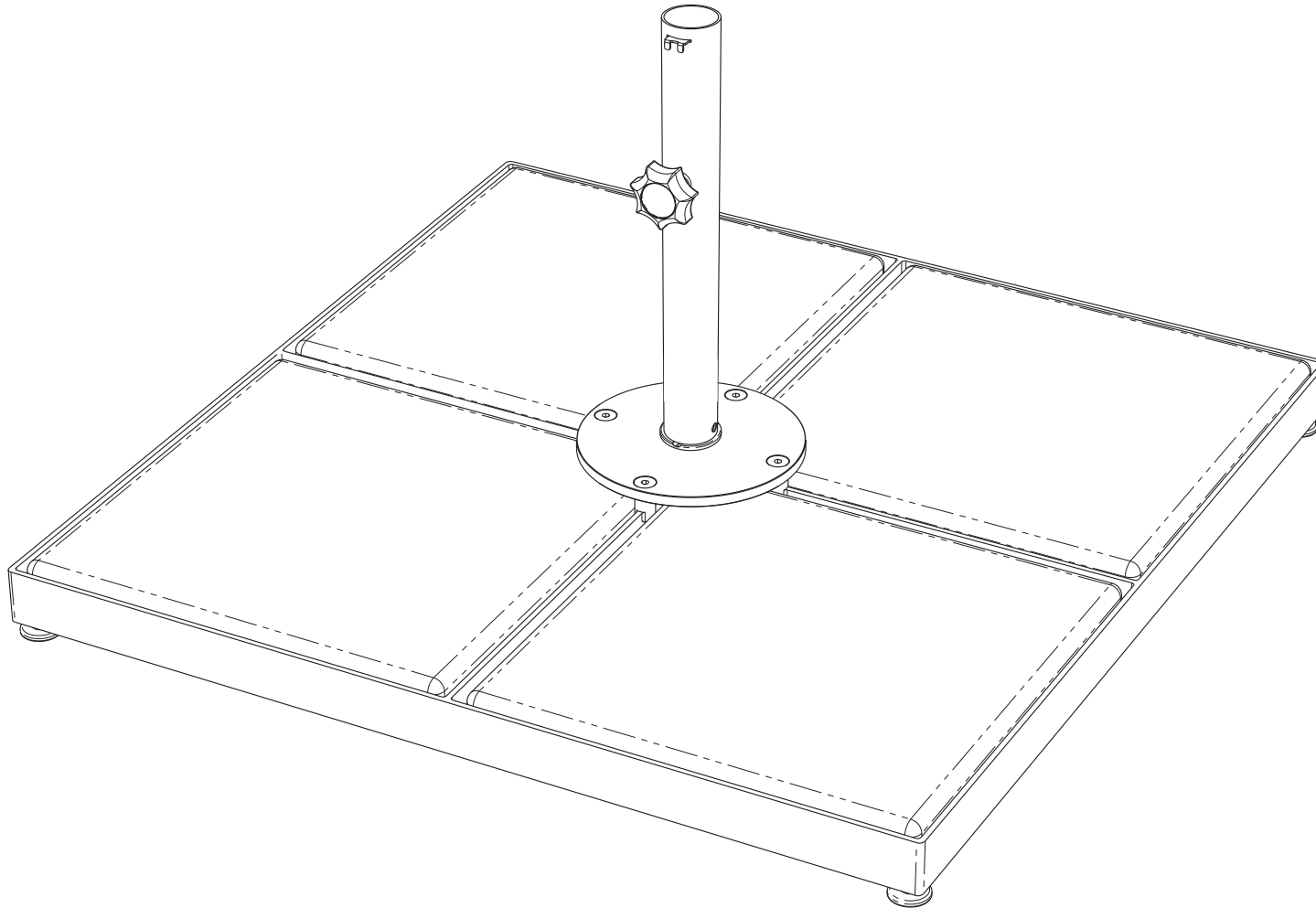
5 x ADJUSTABLE FEET



4 x M10 x 16  
COUNTERSUNK BOLTS

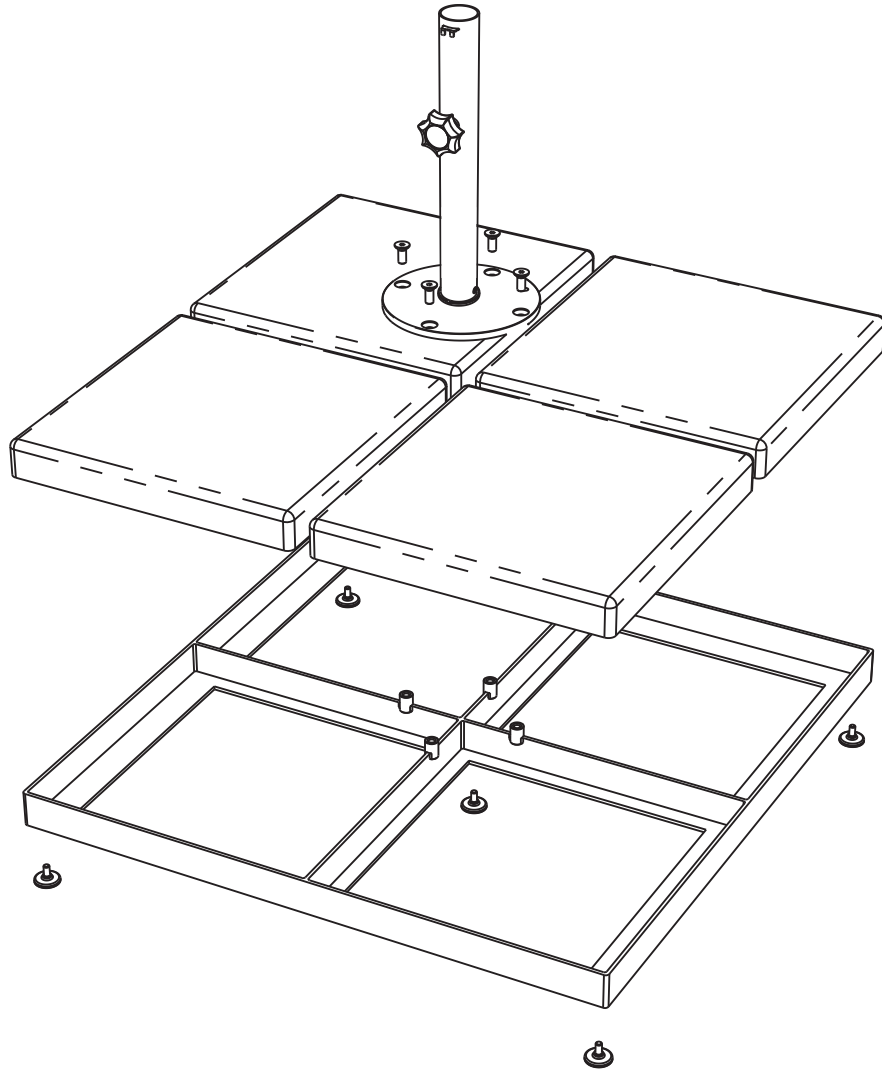


1 x ALLEN KEY

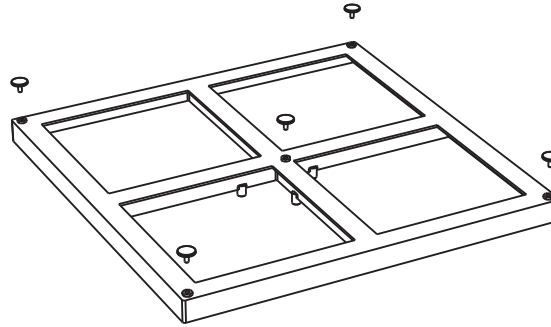


# WOODLINE FREE STANDING US PAVER BASE KIT - SINGLE

(SEE OVERLEAF FOR ASSEMBLY DIAGRAM.)

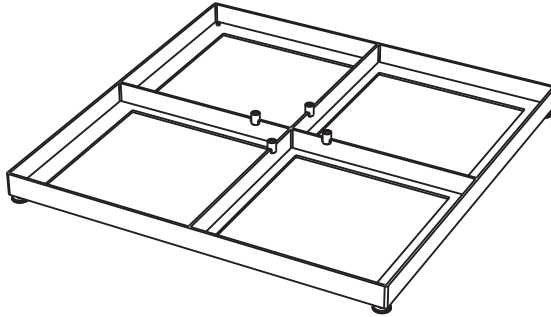


### STEP 1



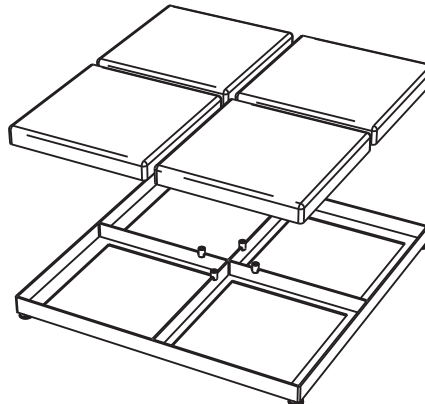
TURN BASE FRAME UPSIDE DOWN AND SCREW IN 5 ADJUSTABLE FEET

### STEP 2



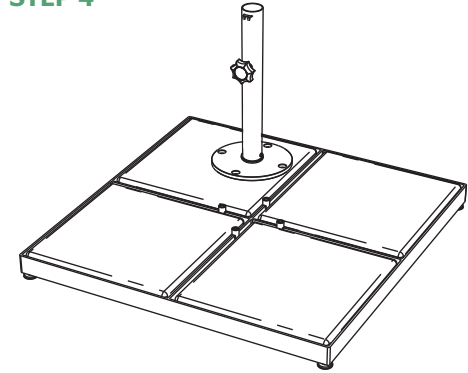
REPOSITION BASE ON FEET & LEVEL THE BASE FRAME USING THE 5 ADJUSTABLE FEET

### STEP 3



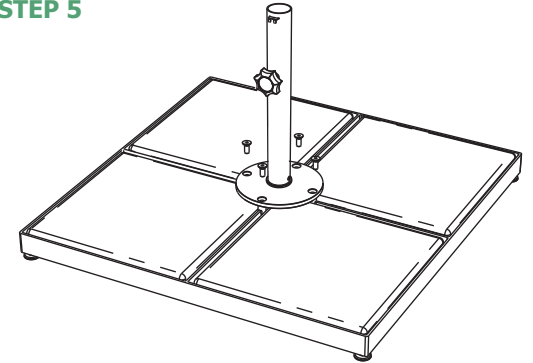
PLACE 4 CONCRETE PAVERS INTO BASE FRAME

### STEP 4



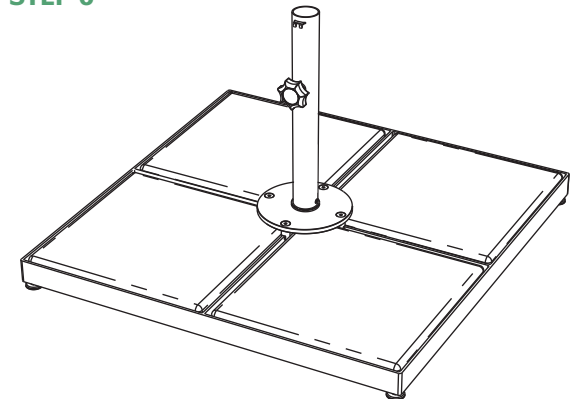
ENSURE THE BASE PLATE COUNTERSUNK HOLES LINE UP WITH THREADED STUDS ON BASE FRAME.

### STEP 5



USE THE 4 COUNTER SUNK BOLTS AND ALLEN KEY TO TIGHTEN THE CENTER POLE & BASE FRAME TOGETHER. MAKE SURE VERY THING IS NICE & TIGHT

### STEP 6



FREE STANDING BASE IS NOW READY ATTACH CENTER POLE TUBE

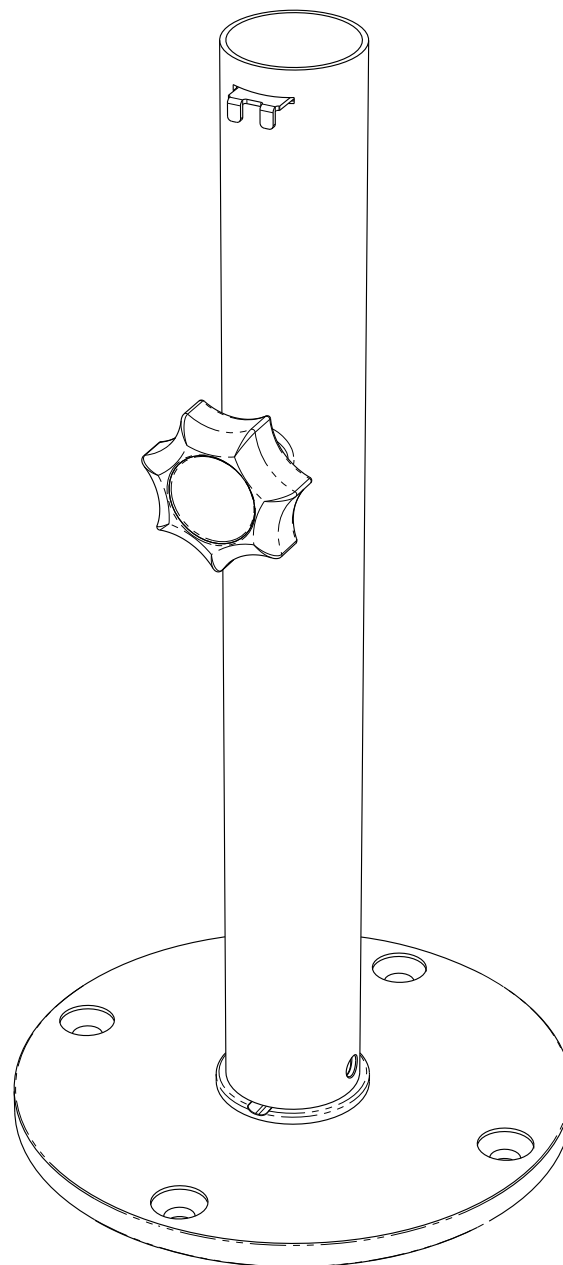
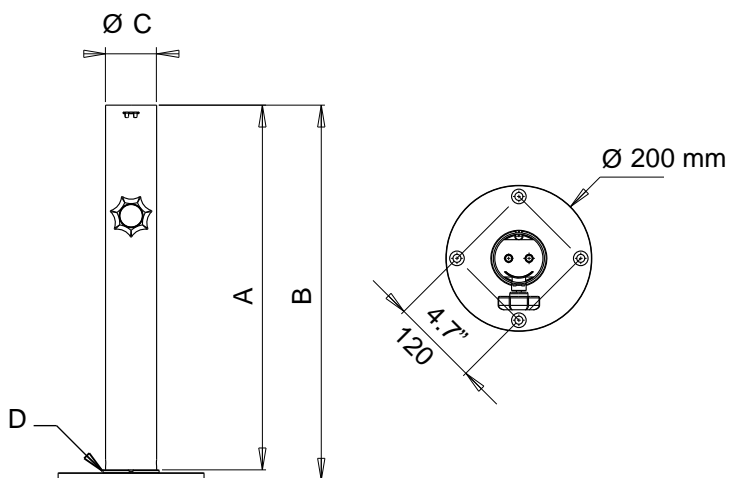


# WOODLINE CENTER POLE TUBE & BASE PLATE FOR 25/32/38/48 mm POLES

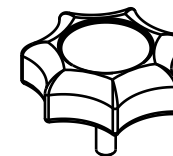
(SEE OVERLEAF FOR ASSEMBLY DIAGRAM.)

## CENTRE POLE TUBES

POLE SIZE	TUBE ITEM CODE	TUBE HEIGHT A	TOTAL HEIGHT B	TUBE SIZE C
25 mm 0.98 inch	00000	280 mm 11.02 inch	294 mm 11.57 inch	32 mm 1.26 inch
32 mm 1.26 inch		280 mm 11.02 inch	294 mm 11.57 inch	38 mm 1.49 inch
38 mm 1.49 inch	00000	400 mm 15.75 inch	414 mm 16.29 inch	48 mm 1.89 inch
48 mm 1.89 inch	00000	400 mm 15.75 inch	414 mm 16.29 inch	57 mm 2.24 inch

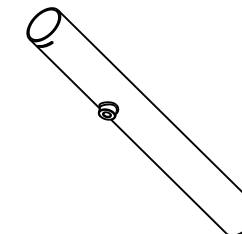


## PARTS LIST



1 x FASTENING WHEEL

Item Code: 00000



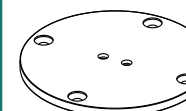
1 x TUBE

Item Code: TABLE



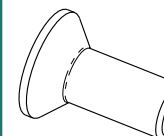
1 x NYLON RING

Item Code: TABLE



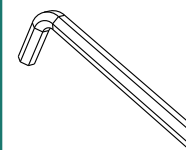
1 x CENTER POLE TUBE PLATE

Item Code: 00000



2 x COUNTER SUNK M10 x 30 BOLT

Item Code: 00000

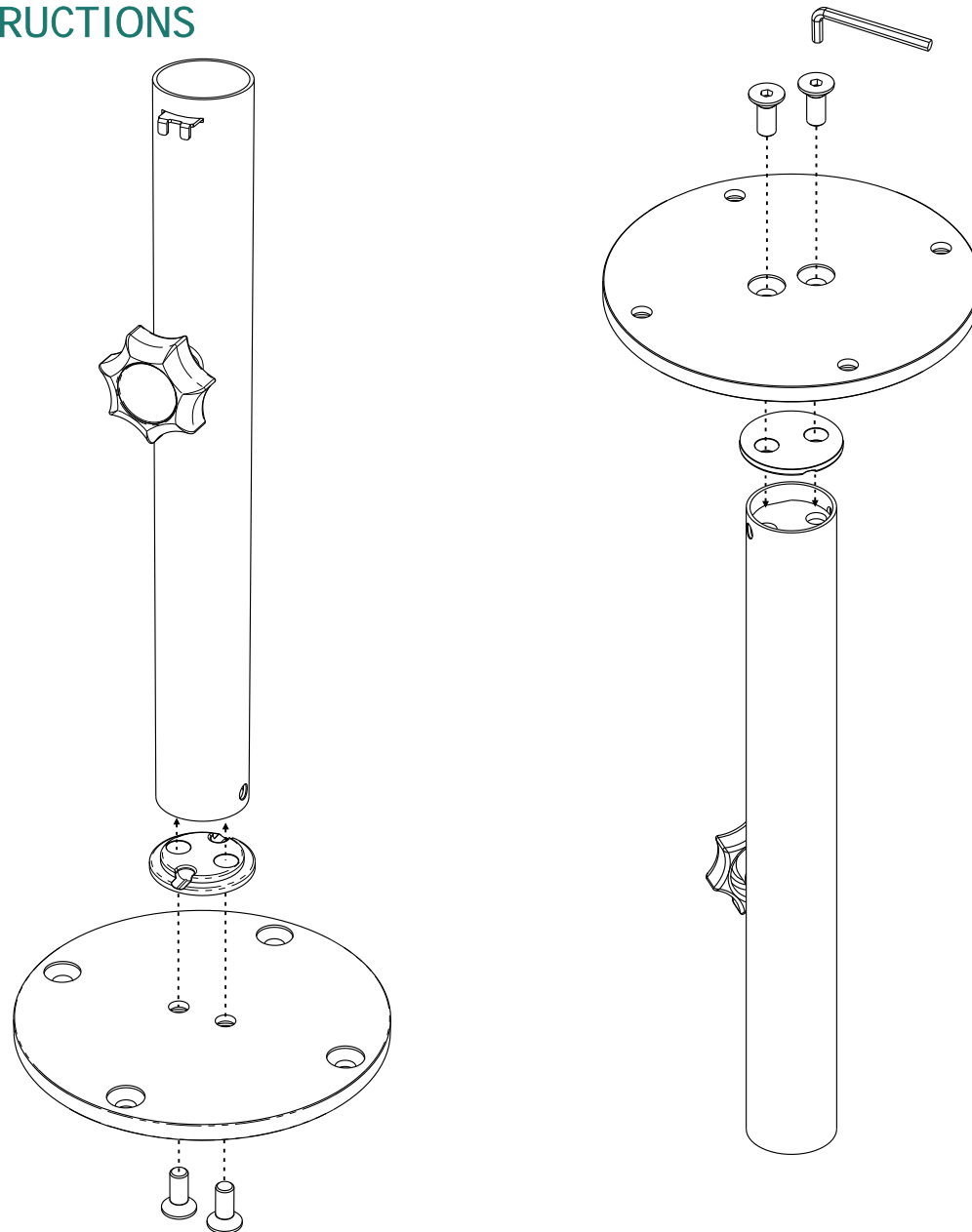


1 x ALLEN KEY

Item Code: 00000



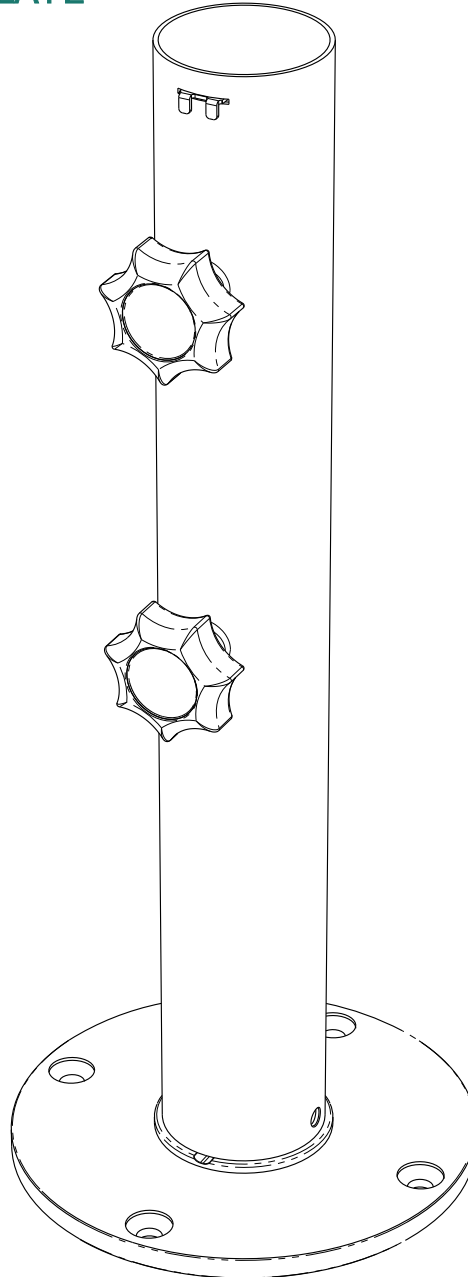
# WOODLINE CENTER POLE TUBE & BASE PLATE FOR 25/32/38 mm POLES ASSEMBLY INSTRUCTIONS



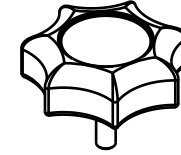
**woodline**  
it's better outside

# WOODLINE CENTER POLE TUBE & BASE PLATE FOR 60 mm POLES

(SEE OVERLEAF FOR ASSEMBLY DIAGRAM.)

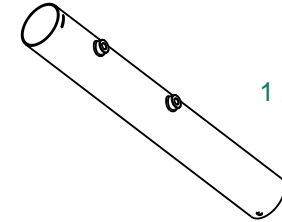


## PARTS LIST



2 x FASTENING  
WHEEL

Item Code: 00000



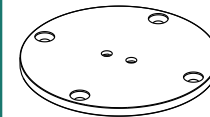
1 x TUBE

Item Code: 00000



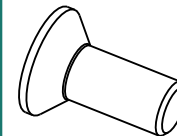
1 x NYLON  
RING

Item Code: 00000



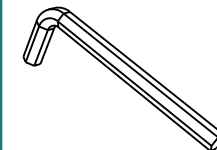
1 x CENTRE POLE  
TUBE PLATE

Item Code: 00000



2 x COUNTER SUNK  
M10 X 30 BOLT

Item Code: 00000



1 x ALLEN KEY

Item Code: 00000



# WOODLINE CENTER POLE TUBE & BASE PLATE FOR 60 mm POLES ASSEMBLY INSTRUCTIONS

