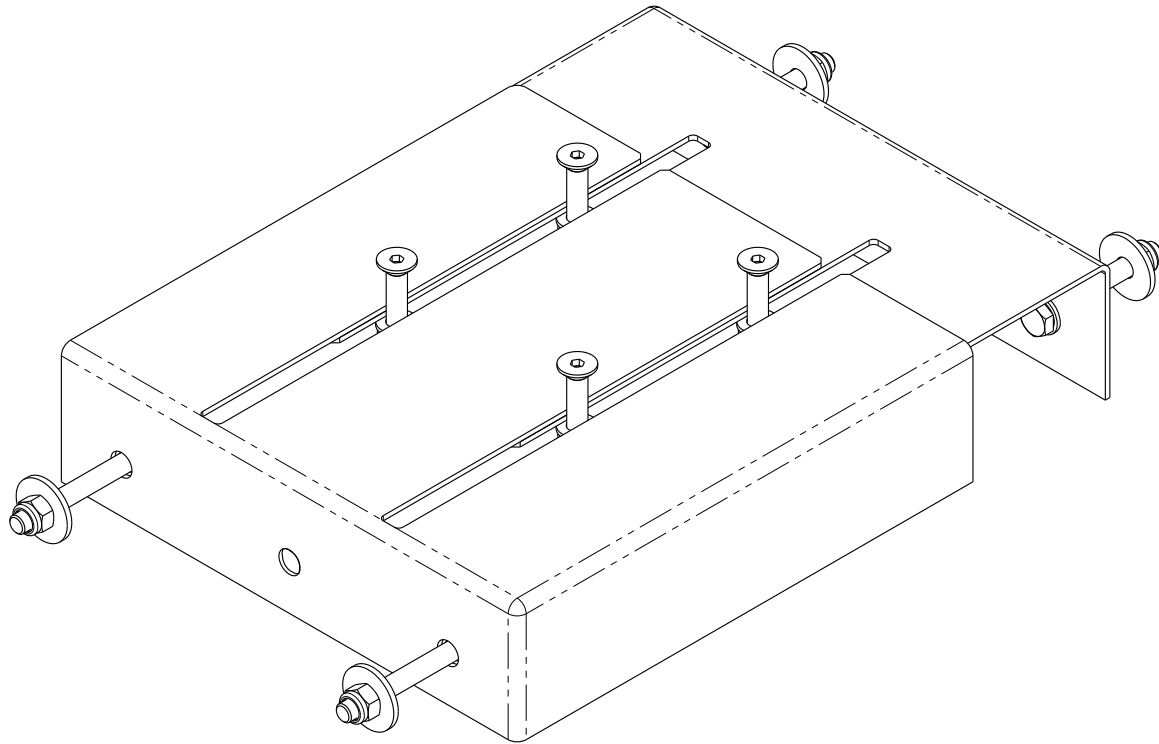




# WOODLINE DECK MOUNT KIT 300 x 300 x 3 mm (12" SQUARE)

(PICOLLO, PAPILLON, SWIFT, VITINO, SAFARI, BRAVURA, STORM)




Item Code: 00000

## PACKED WEIGHT & DIMENSIONS

Height: 4.53 inches (115 mm)  
Width: 13.39 inches (340 mm)  
Depth: 13.39 inches (340mm)  
Weight: 15.4 pounds (7 Kg)

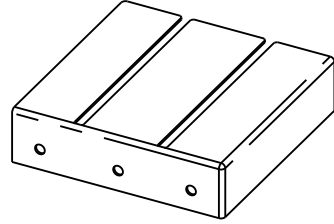
## PARTS LIST

Item Code: 00000



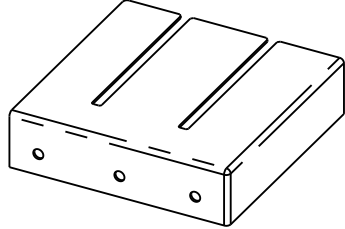
8 x M10 LOCK NUT

Item Code: 00000



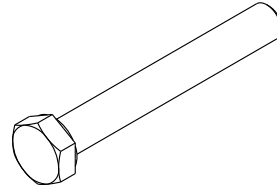
1 x DECK PLATE TOP

Item Code: 00000



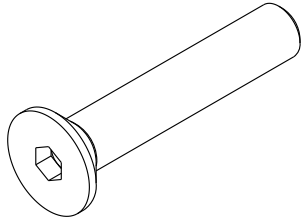
1 x DECK PLATE BOTTOM

Item Code: 00000



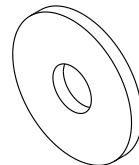
4 x M10 x 75 BOLT

Item Code: 0000



4 x M10 x 50 COUNTER SUNK BOLTS

Item Code: 0000



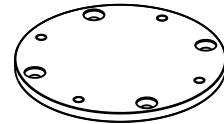
4 x OVERSIZE WASHERS

Item Code: 00000



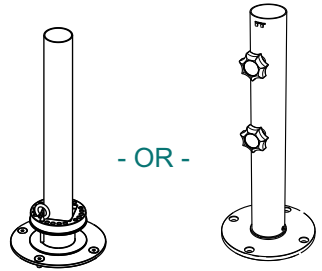
8 x M10 NORMAL WASHERS

Item Code: 00000



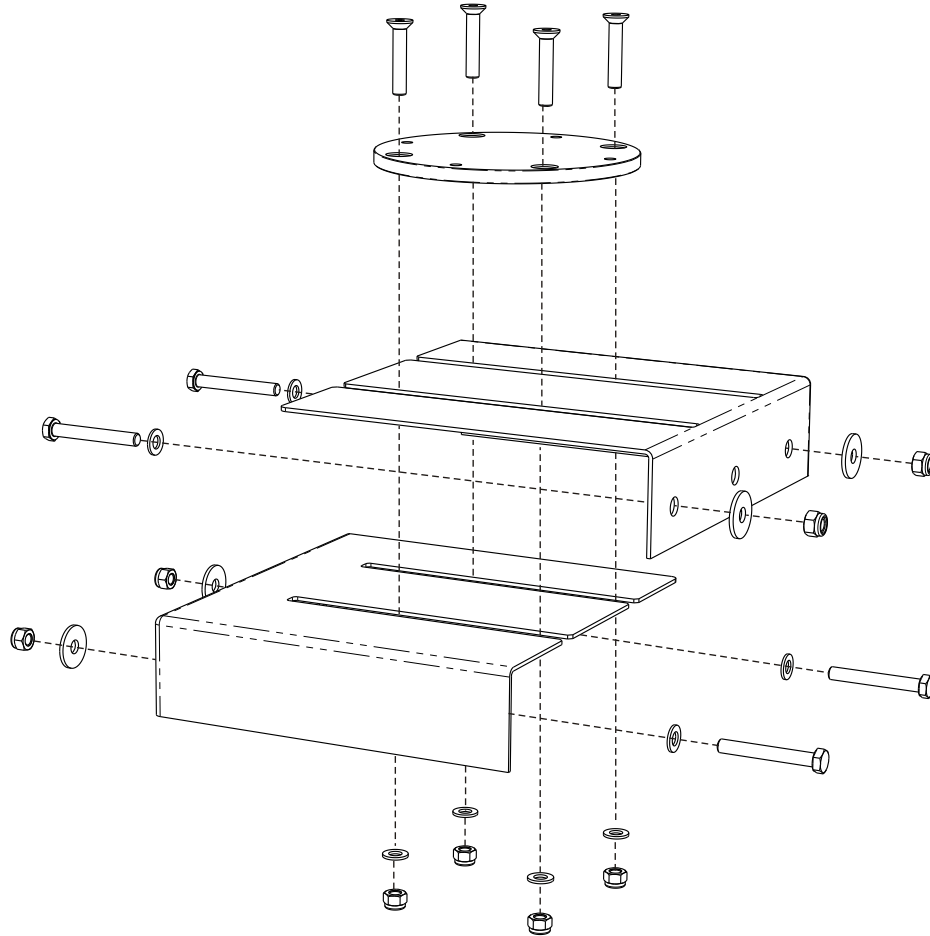
1 x BASE PLATE

- OR -

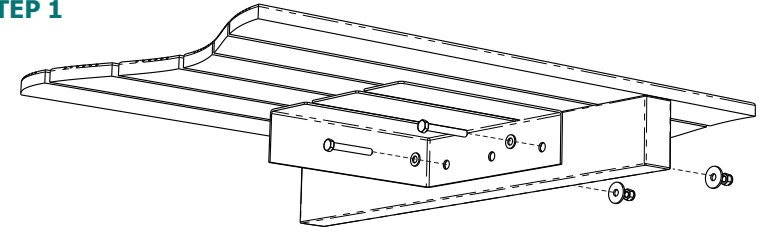


1 x PICOLLO SPIGOT      CENTRE POLE

# WOODLINE DECK MOUNT KIT 300 x 300 x 3 mm (12" SQUARE) ASSEMBLY INSTRUCTIONS

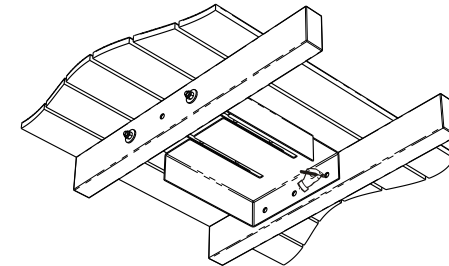


## STEP 1



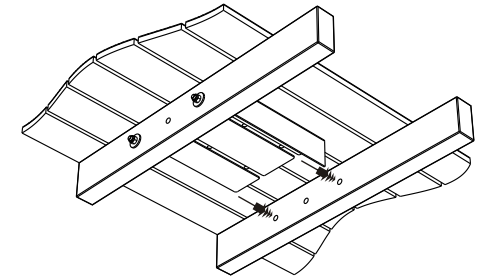
POSITION TOP DECK PLATE BRACKET AT DESIRED LOCATION AGAINST DECK BEAM AND BOTTOM OF DECK FLOOR. USE G-CLAMPS TO HOLD PLATE IN POSITION. MARK WHERE TO DRILL HOLES AND THEN FASTEN M10 X 75 BOLTS AS ILLUSTRATED.

## STEP 2



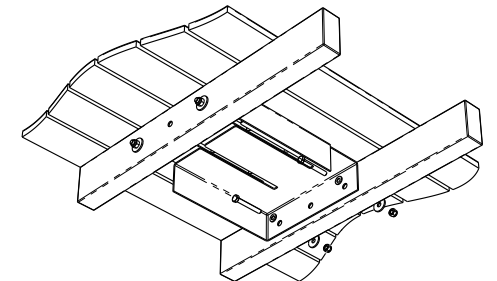
AFTER TOP DECK BRACKET IS PROPERLY FASTENED POSITION BOTTOM DECK BRACKET SO THAT IT IS FLUSH WITH TOP BRACKET AND THAT SLOTS OF BOTH BRACKETS ARE ALIGNED. USE G - CLAMPS TO HOLD PLATE IN POSITION. MARK HOLES AS ILLUSTRATED.

## STEP 3



REMOVE G-CLAMPS AND BRACKETS BEFORE DRILLING DRILL. MARKED AREAS WITH M10 DRILL.

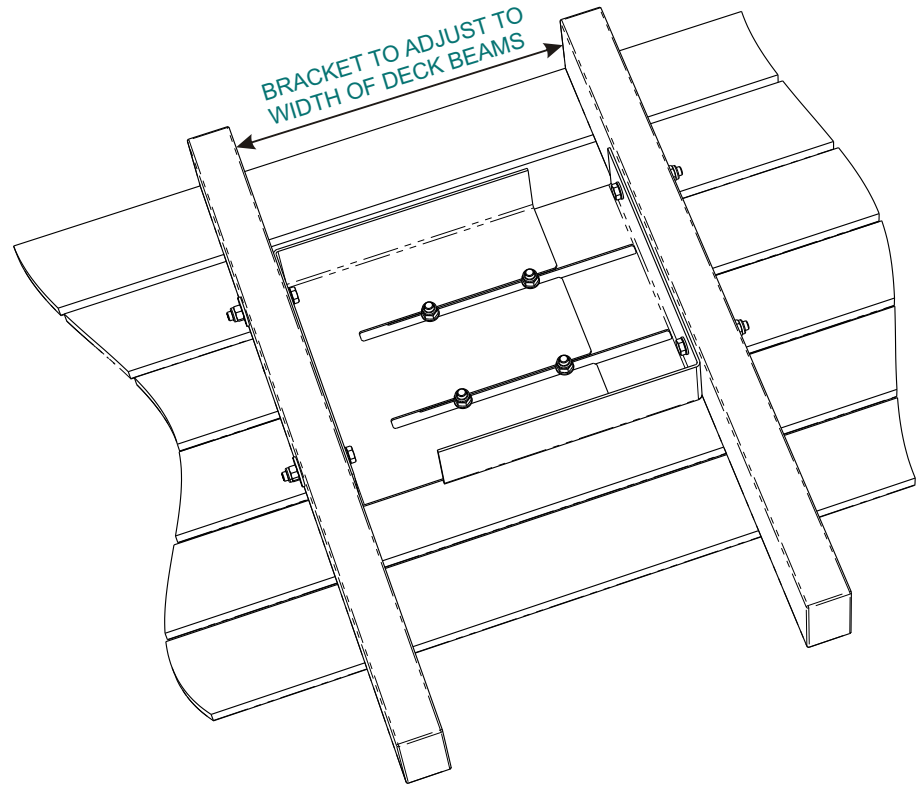
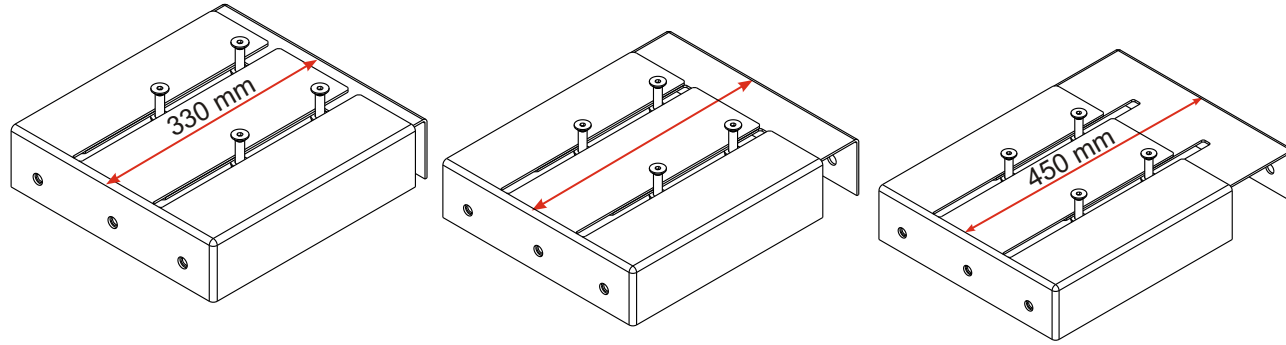
## STEP 4



INSERT M10 X 75 BOLTS WITH SMALL WASHER ON BRACKET SIDE AND BIG WASHER ON OPPOSITE SIDE OF BEAM AS ILLUSTRATED. ENSURE THE BOLTS ARE PROPERLY SECURED.



# WOODLINE DECK MOUNT KIT 300 x 300 x 3 mm (12" SQUARE) ASSEMBLY INSTRUCTIONS



**STEP 5**

BASE PLATE CAN BE USED TO MARK DRILL HOLE POSITIONS FROM BELOW OR FROM ABOVE (CAN BE DONE FROM ABOVE IF THE SLOT DIRECTIONS ARE VISIBLE AND THE HOLES CAN BE CENTERED ABOVE THE SLOTS.)

**STEP 6**

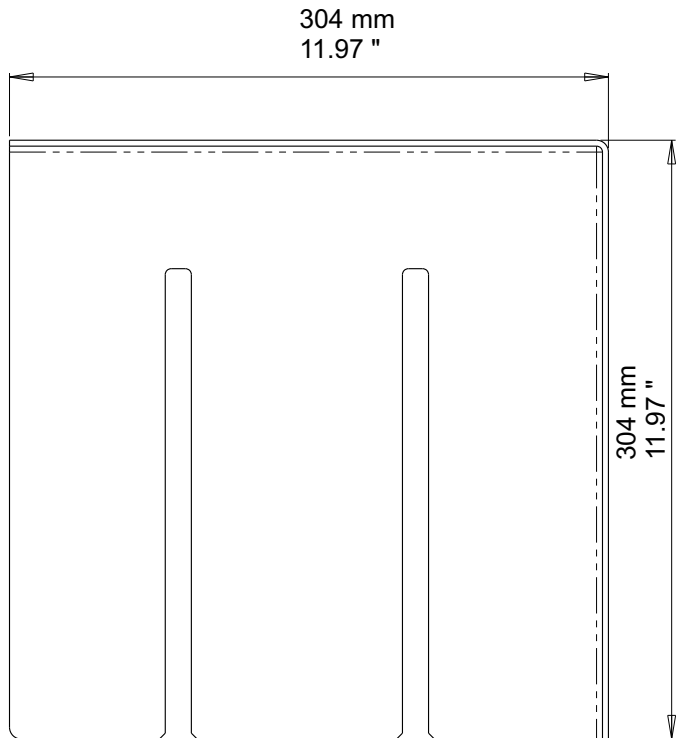
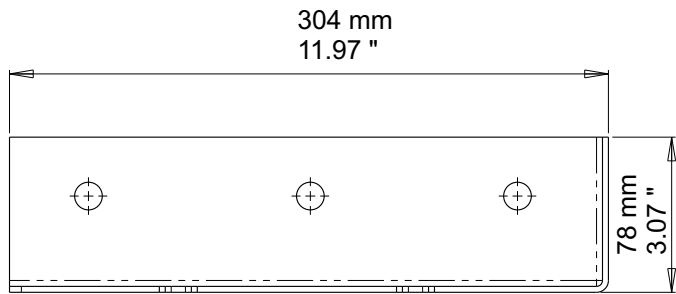
DRILL HOLES WITH M10 DRILL BIT WHERE MARKED AS ILLUSTRATED ON SKETCH.

**STEP 7**

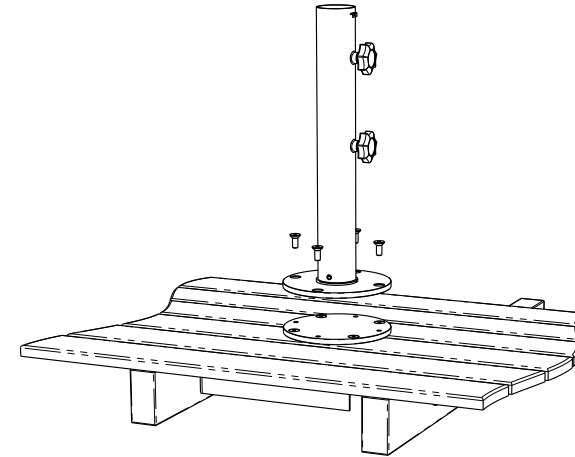
INSERT M10 COUNTER SUNK BOLTS THROUGH BASE PLATE AND HOLES ON DECK FLOOR. THEN FASTEN BASE PLATE TO UNIVERSAL BRACKET AND TOP OF DECK FLOOR AS ILLUSTRATED.



# WOODLINE DECK MOUNT KIT 300 x 300 x 3 mm (12" SQUARE) ASSEMBLY INSTRUCTIONS

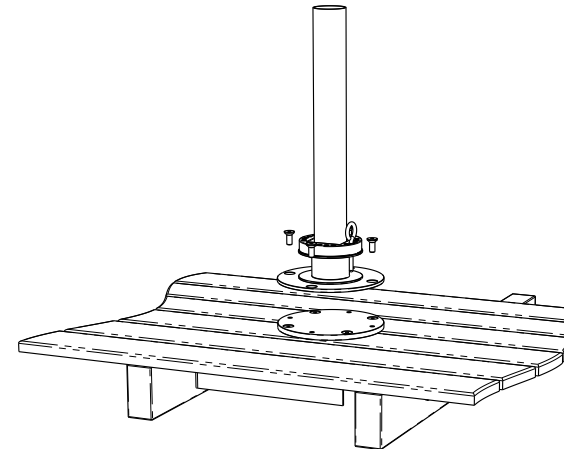


## STEP 8



**CENTRE POLE**  
\* see note

**OR**



**SPIGOT**

USE THE 4 COUNTER SUNK BOLTS AND ALLEN KEY TO TIGHTEN THE BASE PLATE & SPIGOT OR CENTER POLE TOGETHER. ENSURE THE BOLTS ARE PROPERLY SECURED.

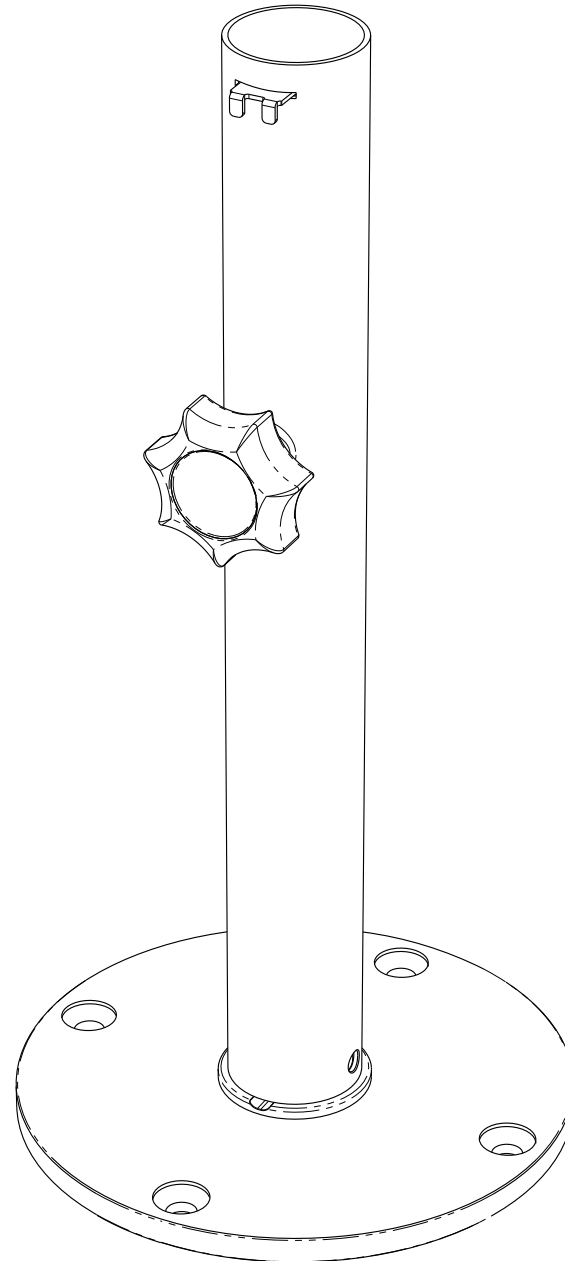
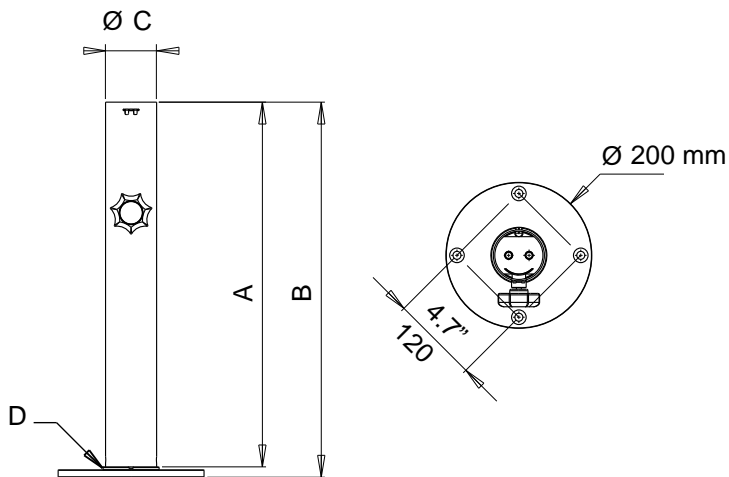


# WOODLINE CENTER POLE TUBE & BASE PLATE FOR 25/32/38/48 mm POLES

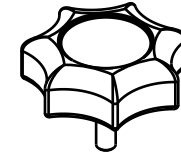
(SEE OVERLEAF FOR ASSEMBLY DIAGRAM.)

## CENTRE POLE TUBES

POLE SIZE	TUBE ITEM CODE	TUBE HEIGHT A	TOTAL HEIGHT B	TUBE SIZE C
25 mm 0.98 inch	00000	280 mm 11.02 inch	294 mm 11.57 inch	32 mm 1.26 inch
32 mm 1.26 inch		280 mm 11.02 inch	294 mm 11.57 inch	38 mm 1.49 inch
38 mm 1.49 inch	00000	400 mm 15.75 inch	414 mm 16.29 inch	48 mm 1.89 inch
48 mm 1.89 inch	00000	400 mm 15.75 inch	414 mm 16.29 inch	57 mm 2.24 inch

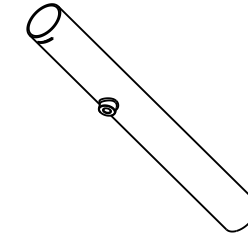


## PARTS LIST



1 x FASTENING WHEEL

Item Code: 00000



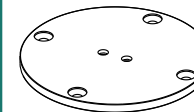
1 x TUBE

Item Code: TABLE



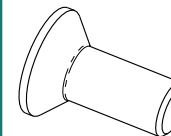
1 x NYLON RING

Item Code: TABLE



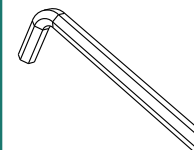
1 x CENTER POLE TUBE PLATE

Item Code: 00000



2 x COUNTER SUNK M10 x 30 BOLT

Item Code: 00000



1 x ALLEN KEY

Item Code: 00000



# WOODLINE CENTER POLE TUBE & BASE PLATE FOR 25/32/38 mm POLES ASSEMBLY INSTRUCTIONS

