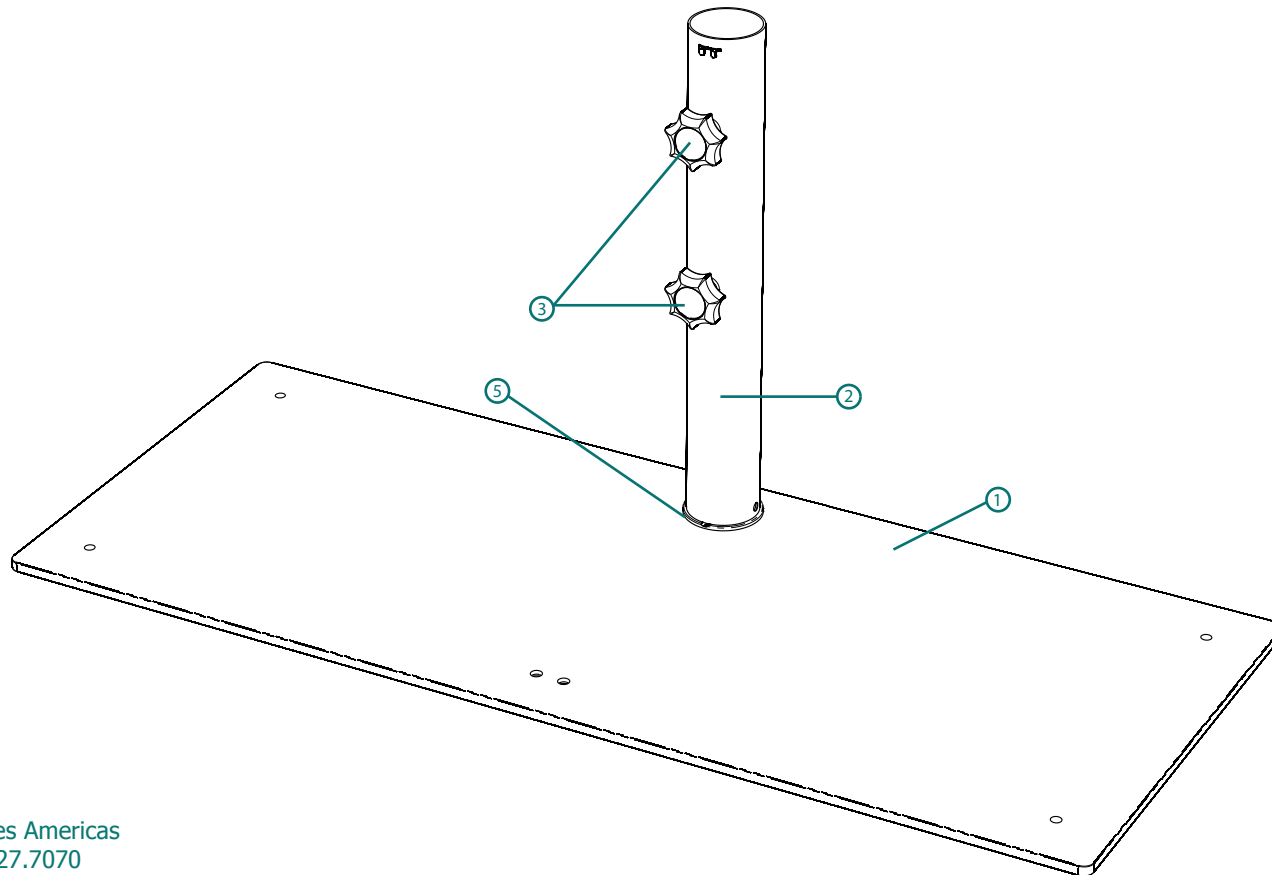


# PAPILLON FREE STANDING PLATES AND TUBES



## REQUIRED TOOLS LIST

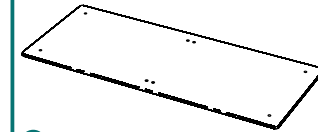


1 x ALLEN KEY  
Size 6mm  
(included)

Item Code: 13702

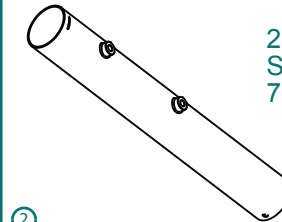
## PARTS LIST

2 x PAPILLON  
BASE PLATE



Item Code: 05954

2 x STAINLESS  
STEEL TUBE  
70mm x 500mm



Item Code: 14015

4 x HAND WHEEL



Item Code: 13702

4 x COUNTER SUNK  
M10 X 30 BOLT



Item Code: 14034

2 x NYLON  
RING



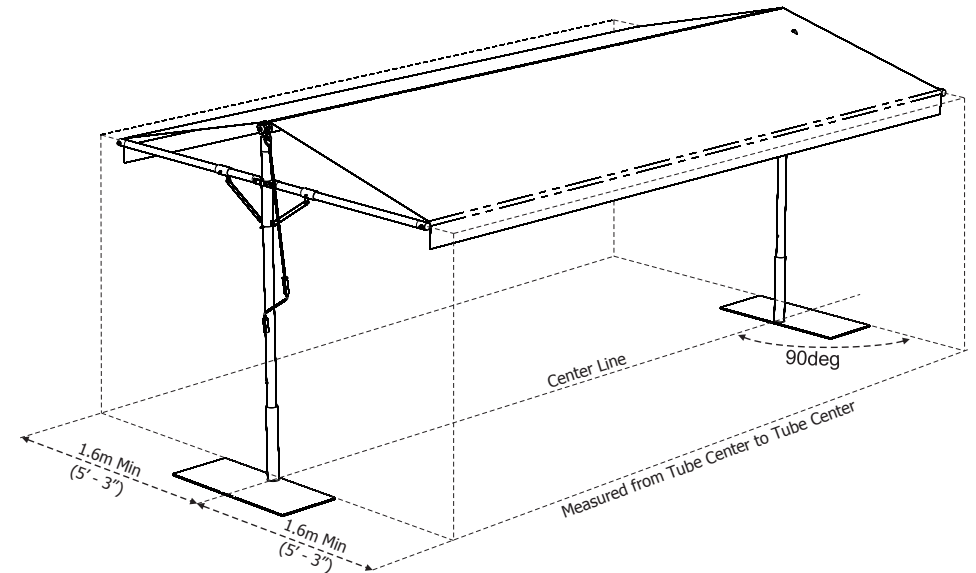
Item Code: 01907

Item Code: 14014

## STEP 1 - POSITION THE FREE STANDING BASE PLATES

NOTE: THE PAPILLON BASE PLATE HAS TWO SETS OF COUNTER SUNK HOLES FOR ATTACHING THE STAINLESS STEEL TUBE. IF THERE IS SUFFICIENT ROOM, IT IS ADVISABLE TO POSITION THE PLATES SO THE MAJORITY OF THE PLATE IS POSITIONED OUTSIDE OF THE AREA COVERED BY THE ROOF STRUCTURE AS SHOWN ABOVE. IF THERE IS NOT SUFFICIENT ROOM, THE BASE PLATES MAY BE POSITIONED SO THAT THE MAJORITY OF THE PLATE RESTS UNDERNEATH THE THE ROOF STRUCTURE.

- POSITION THE BASE PLATES SO THE STAINLESS STEEL TUBES ARE ALIGNED AND THE CENTER TO CENTER DISTANCE BETWEEN THE TUBES EXACTLY MATCHES THE LENGTH OF THE ROOF STRUCTURE.
- FOR THE 5m ROOF STRUCTURE THE DISTANCE FROM CENTER TO CENTER OF THE STAINLESS STEEL TUBES IS EXACTLY FIVE (5) METERS.
- THE CENTER LINE MUST BE AT LEAST 1.6 M (5' 3") AWAY FROM THE NEAREST OBSTRUCTION ON BOTH SIDES (IN THE DIRECTIONS THE CANOPY OPENS).



## STEP 2 - ATTACH THE STAINLESS STEEL TUBES TO THE BASE PLATES

- PUSH THE NYLON RING ONTO THE BOTTOM OF THE STAINLESS STEEL TUBE SO THE SCREW HOLES ARE ALIGNED WITH THE TAPPED HOLES IN THE TUBE.
- PLACE THE BASE PLATE ON IT'S SIDE AND PUT THE STAINLESS STEEL TUBE OPPOSITE THE COUNTER SUNK HOLES ON THE BASE PLATE.
- SECURE THE BASE PLATE TO THE TUBE BY TIGHTENING THE M10 X M30 FLAT HEAD BOLTS USING THE PROVIDED 6mm ALLEN KEY.
- SCREW THE HAND WHEELS FOUND INSIDE STAINLESS STEEL TUBE INTO THE TUBE.

SEE SEPARATE INSTRUCTIONS FOR PAPILLON STRUCTURE ASSEMBLY DETAILS. INSTRUCTIONS ARE INCLUDED IN THE PAPILLON BOXES.

