



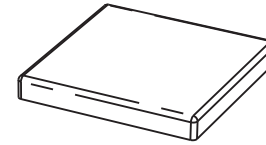
WOODLINE FREE STANDING US PAVER BASE KIT - DOUBLE

(SEE OVERLEAF FOR ASSEMBLY DIAGRAM.)

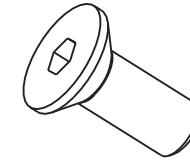
PACKED WEIGHT & DIMENSIONS

Height: 3.74 inches (95 mm)
Width: 34.65 inches (880 mm)
Depth: 34.65 inches (880 mm)
Weight: 48.8 pounds (21.9 Kg)

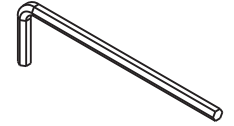
PARTS NOT INCLUDED



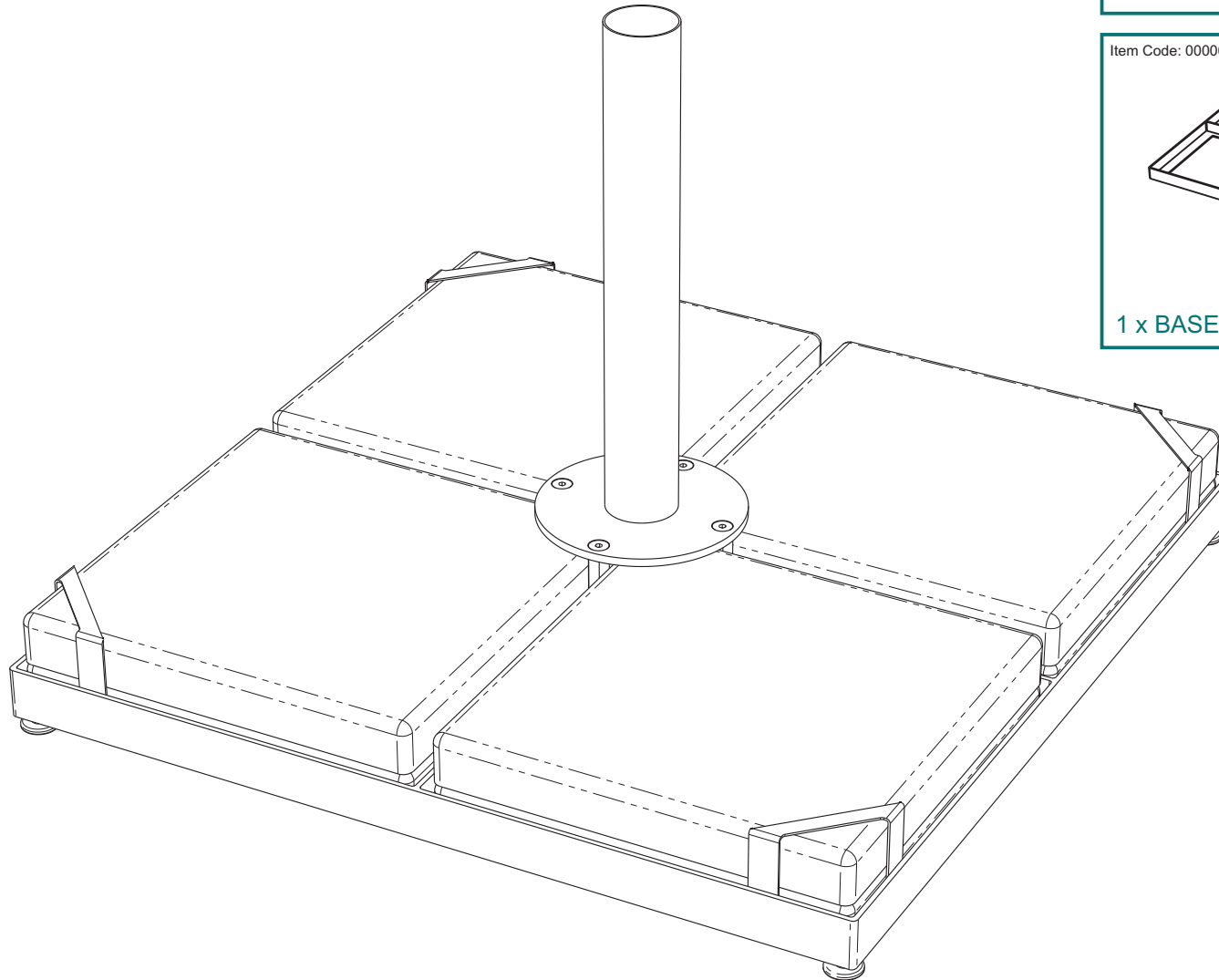
8 x SQUARE PAVER
16 x 16 x 2" SLABS



4 x M10 x 16
COUNTERSUNK BOLT

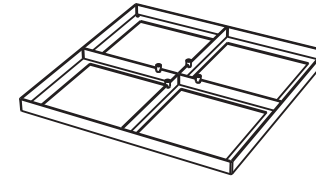


1 x ALLEN KEY
Size 6



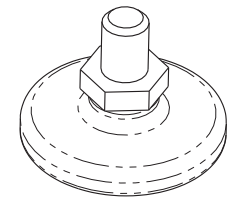
PARTS LIST

Item Code: 00000



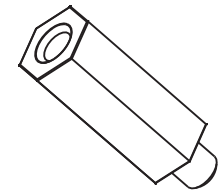
1 x BASE FRAME

Item Code: 00000



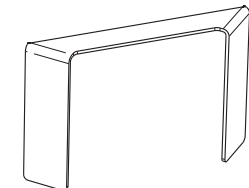
5 x ADJUSTABLE FEET

Item Code: 00000



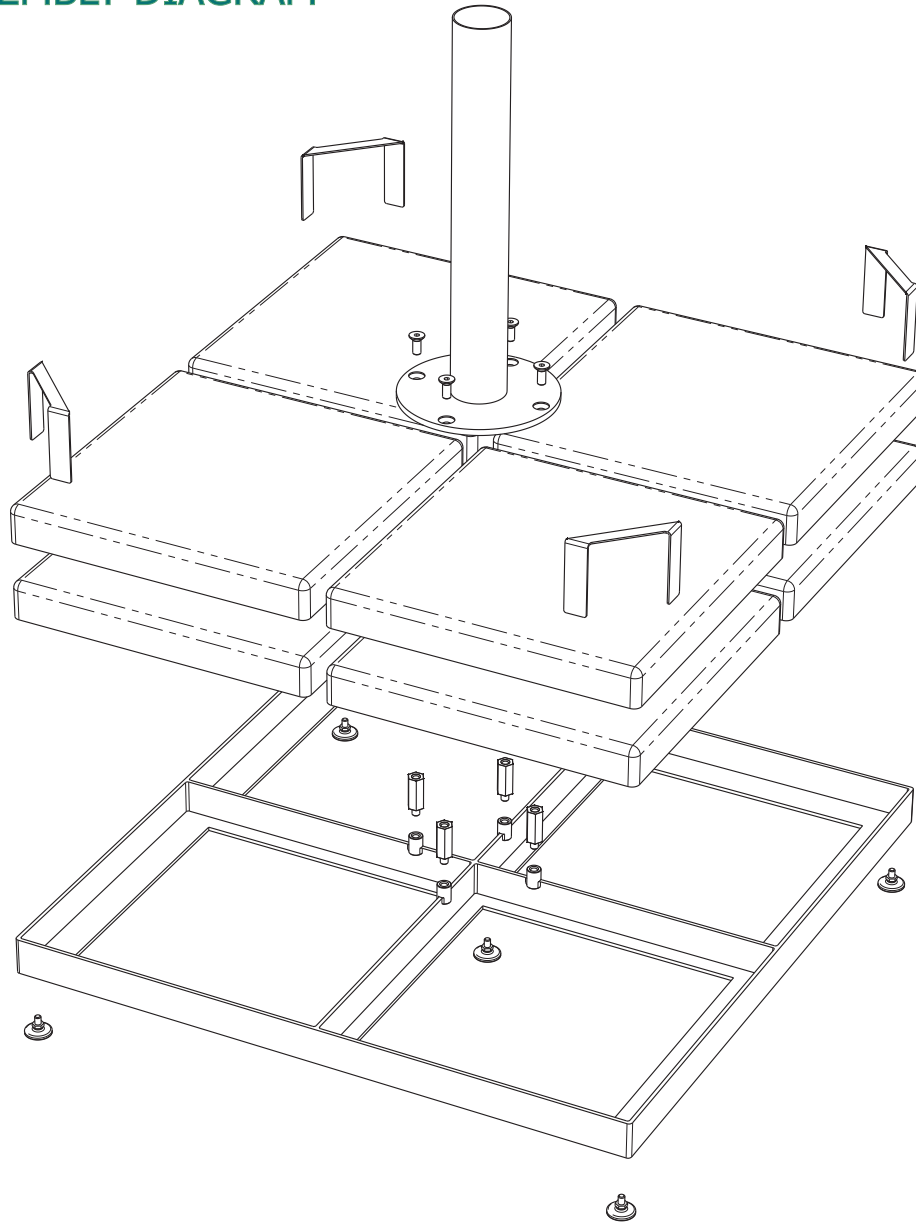
4 x HEX NUT SPACERS

Item Code: 00000

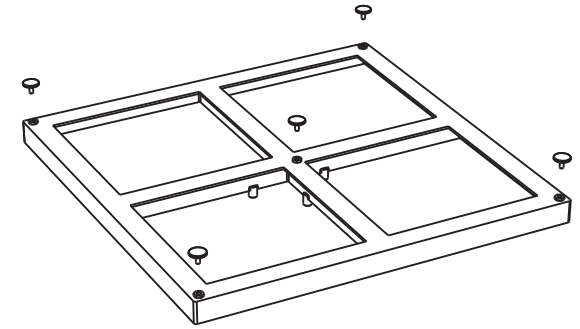


4 x STABILIZING BRACKETS

WOODLINE FREE STANDING US PAVER BASE KIT - DOUBLE ASSEMBLY DIAGRAM

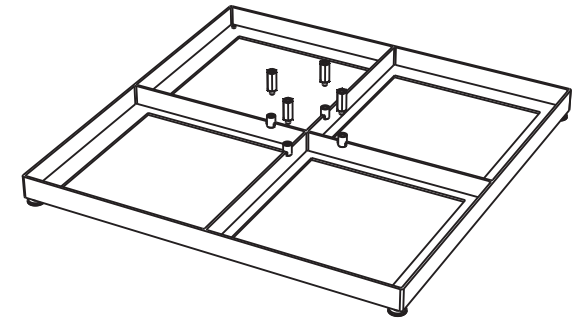


STEP 1



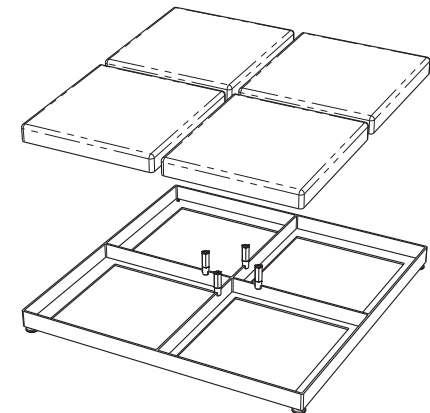
TURN BASE FRAME UPSIDE DOWN AND SCREW IN 5 ADJUSTABLE FEET.

STEP 2



1. REPOSITION BASE ON FEET & LEVEL THE FRAME USING THE 5 ADJUSTABLE FEET.
2. SCREW IN 4 HEX SPACERS AS ILLUSTRATED. ENSURE BOLTS ARE TIGHTENED FIRMLY.

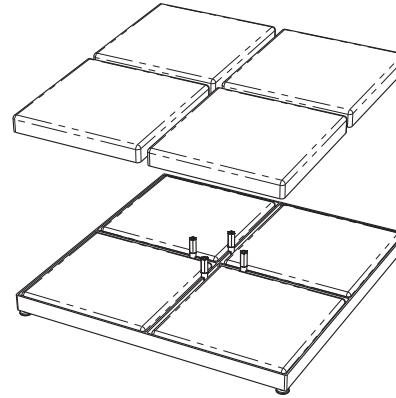
STEP 3



PLACE 4 CONCRETE PAVERS INTO POSITION OF BASE FRAME.

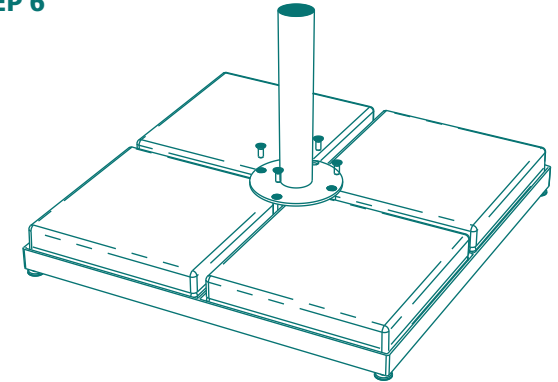
WOODLINE FREE STANDING US PAVER BASE KIT- DOUBLE ASSEMBLY DIAGRAM

STEP 4



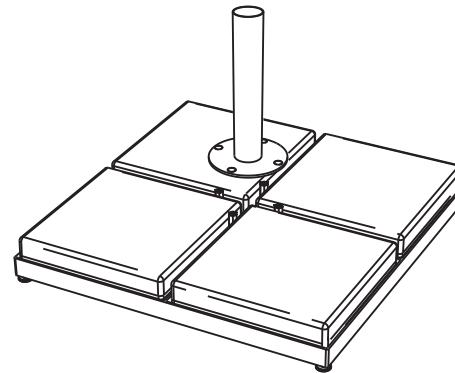
PLACE REMAINING 4 CONCRETE PAVERS INTO POSITION OF BASE FRAME.

STEP 6



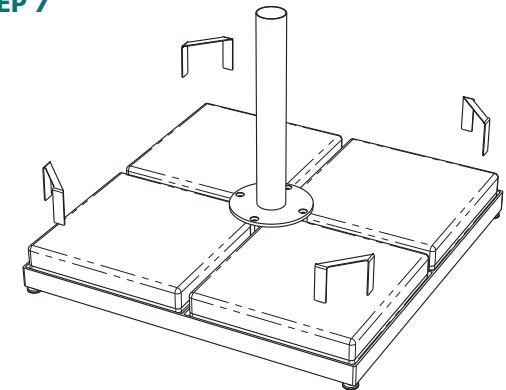
USE THE 4 COUNTER SUNK BOLTS AND ALLEN KEY TO TIGHTEN THE BASE PLATE & BASE FRAME TOGETHER. ENSURE BOLTS ARE TIGHTENED FIRMLY.

STEP 5



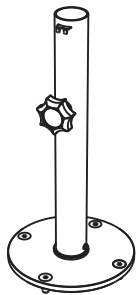
MAKE SURE THE CENTER POLE TUBE OR SPIGOT COUNTERSUNK HOLES LINE UP WITH THREADED STUDS ON BASE FRAME.

STEP 7

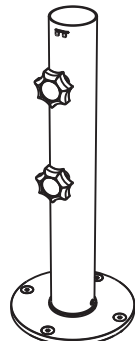


SLIDE IN 4 CORNER PAVER STABILIZING BRACKETS AS ILLUSTRATED.

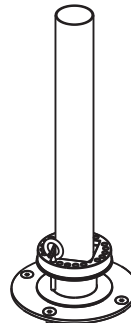
OPTIONAL ATTACHMENTS



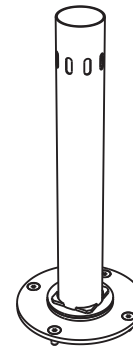
Center Pole Tube
25/32/38/48 mm Pole



Center Pole Tube
60 mm Pole

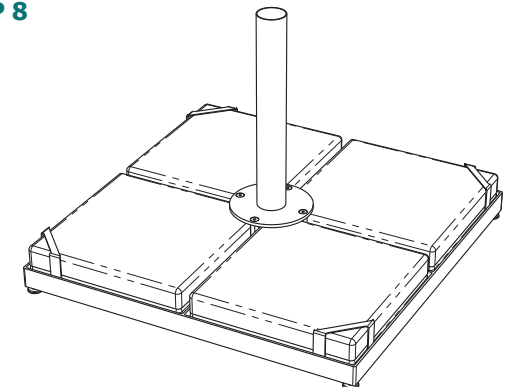


Picollo Spigot
Item Code: 13996



Pendulum Spigot
Item Code: 14003

STEP 8



FREE STANDING BASE IS NOW READY TO ATTACH CENTER POLE OR CANTILEVER UMBRELLA.