

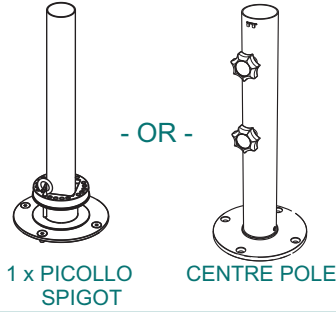


WOODLINE SHELL BASE KIT

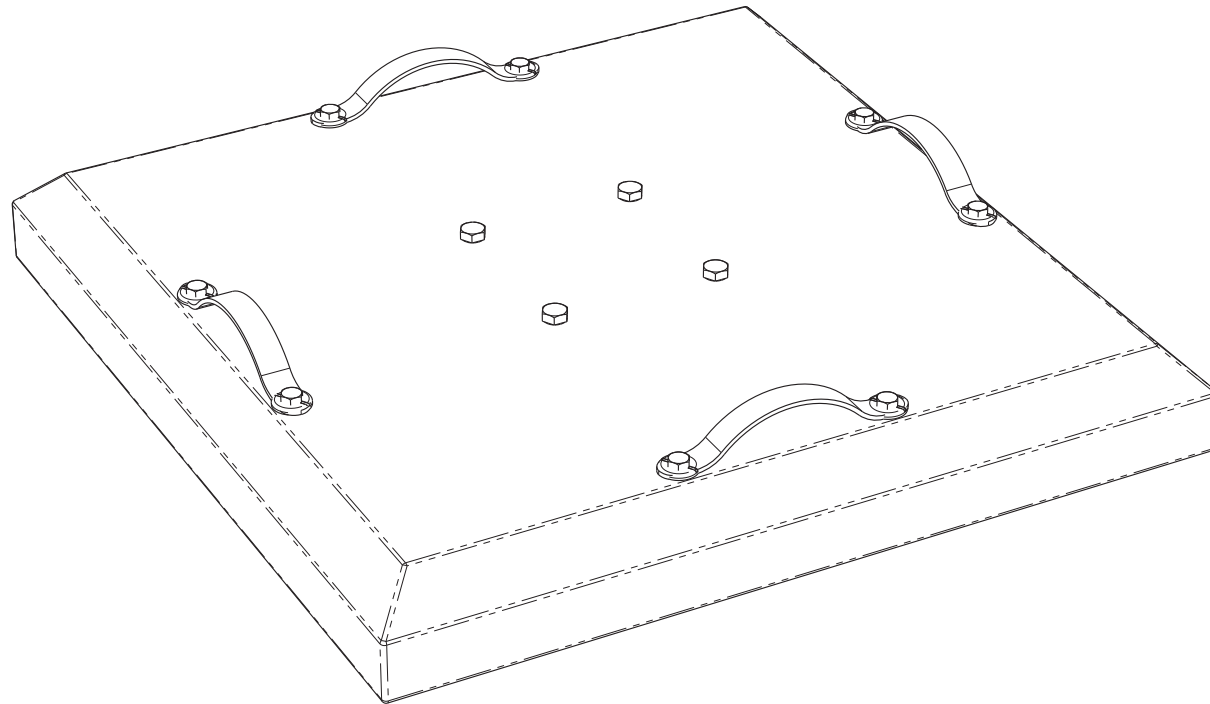
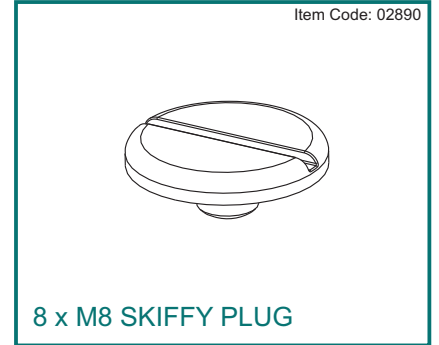
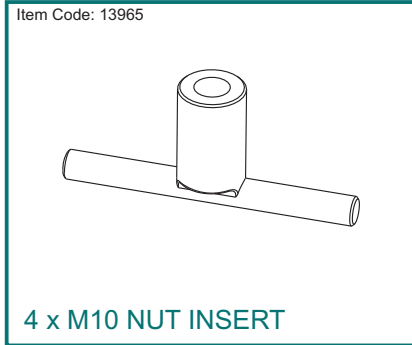
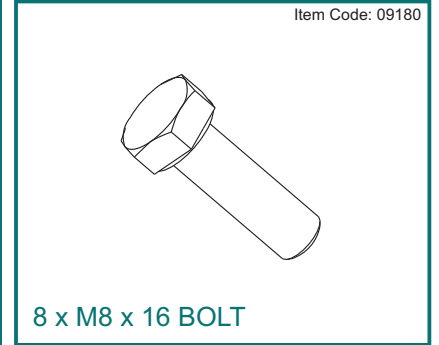
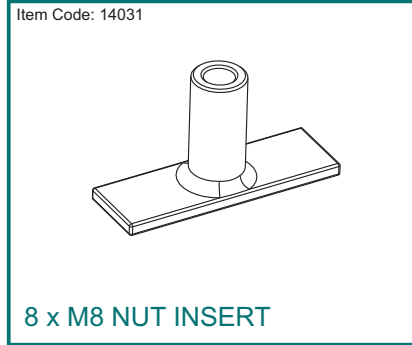
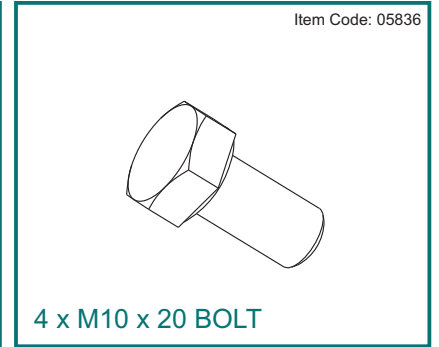
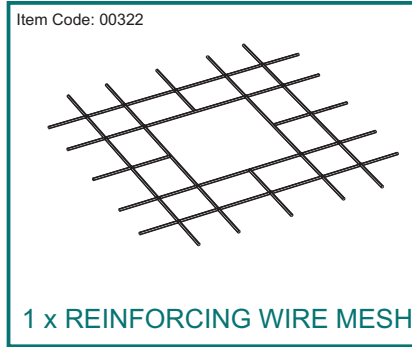
800 x 800 mm (31.5" SQ)

(SEE OVERLEAF FOR ASSEMBLY DIAGRAM.)

NOT INCLUDED



PARTS LIST

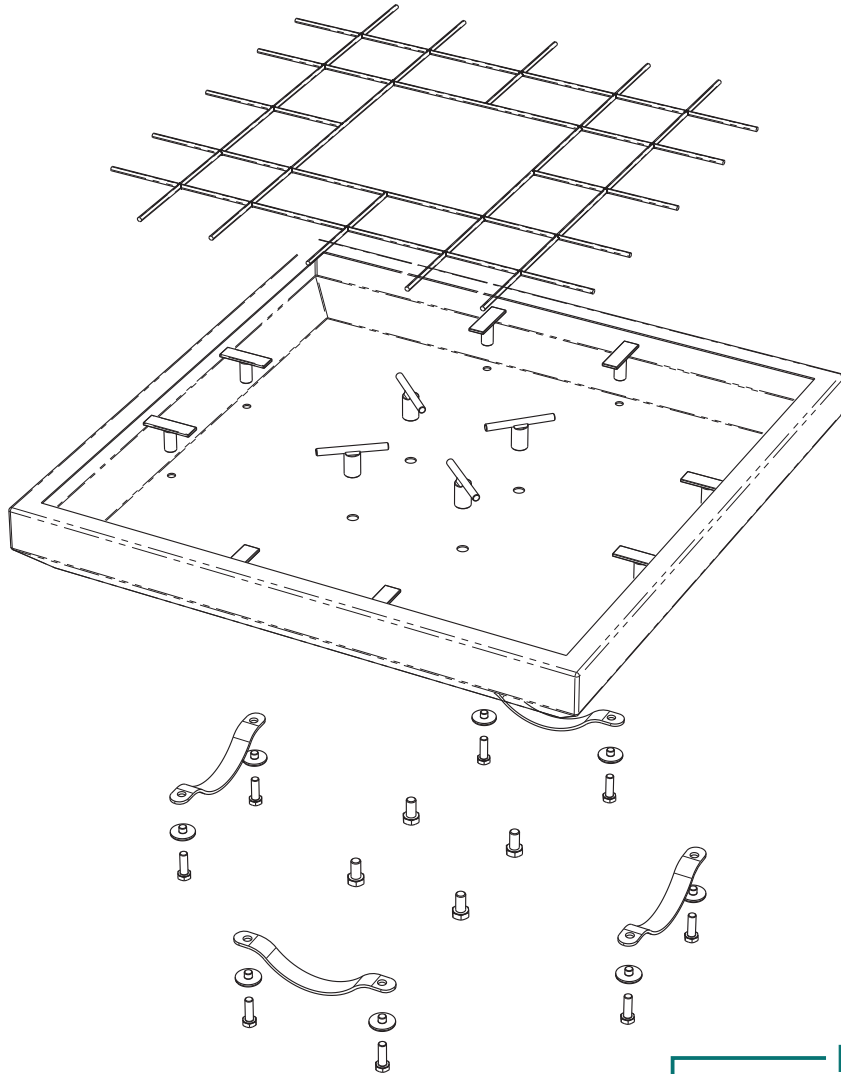


Item Code: 13969

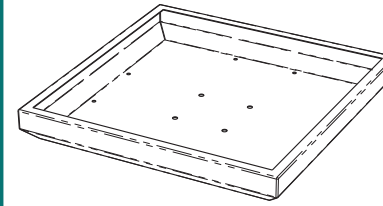
PACKED WEIGHT & DIMENSIONS

Height: 3.94 inches (100 mm)
 Width: 31.50 inches (810 mm)
 Depth: 31.50 inches (810mm)
 Weight: 17.64 pounds (8.00 Kg)

WOODLINE SHELL BASE KIT 800 x 800 mm (31.5" SQ) ASSEMBLY INSTRUCTIONS

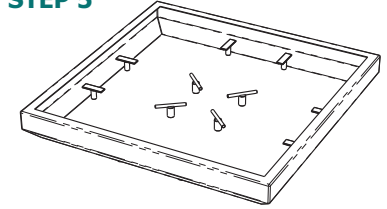


STEP 1



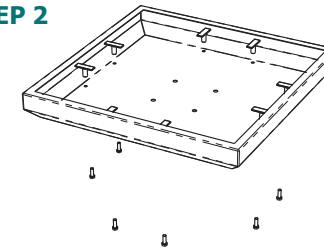
REMOVE SHELL BASE FROM BOX & TURN BASE UPSIDE DOWN ON BOX. * See Notes

STEP 5



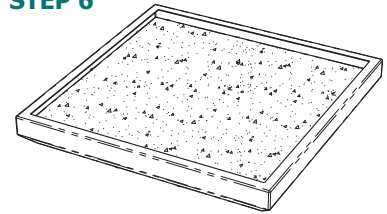
PLEASE MAKE SURE THAT ALL NUT INSERTS ARE CONFIGURED AS INDICATED IN ILLUSTRATION

STEP 2



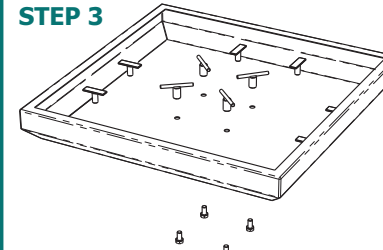
INSERT 8 M8 BOLTS INTO HOLES ON 4 SIDES OF BASE AND THEN SCREW IN M8 NUT INSERTS AS ILLUSTRATED AND TIGHTEN BY HAND.

STEP 6



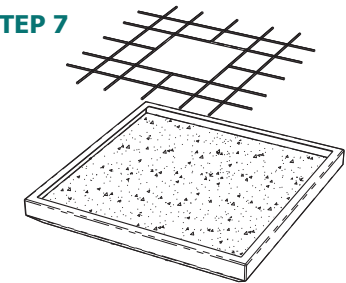
MIX THE READY MIX CONCRETE AS PRESCRIBED BY MANUFACTURER AND FILL BASE HALF WAY.

STEP 3



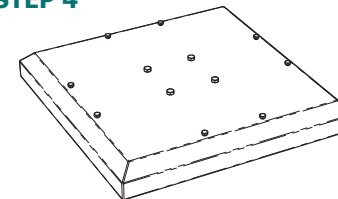
INSERT 4 M10 BOLTS INTO HOLES IN MIDDLE OF BASE AND THEN SCREW IN M10 NUT INSERTS AS ILLUSTRATED AND TIGHTEN BY HAND.

STEP 7



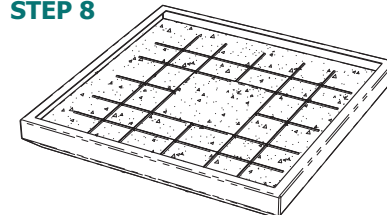
FIRMLY PLACE THE REINFORCING MESH ON CONCRETE MIXTURE.(MORE OR LESS THE MIDDLE)

STEP 4



PLEASE MAKE SURE THAT ALL NUTS ARE IN THE CORRECT LOCATION M8 BOLTS ON OUTER RIM AND M10 BOLTS IN CENTRE.

STEP 8

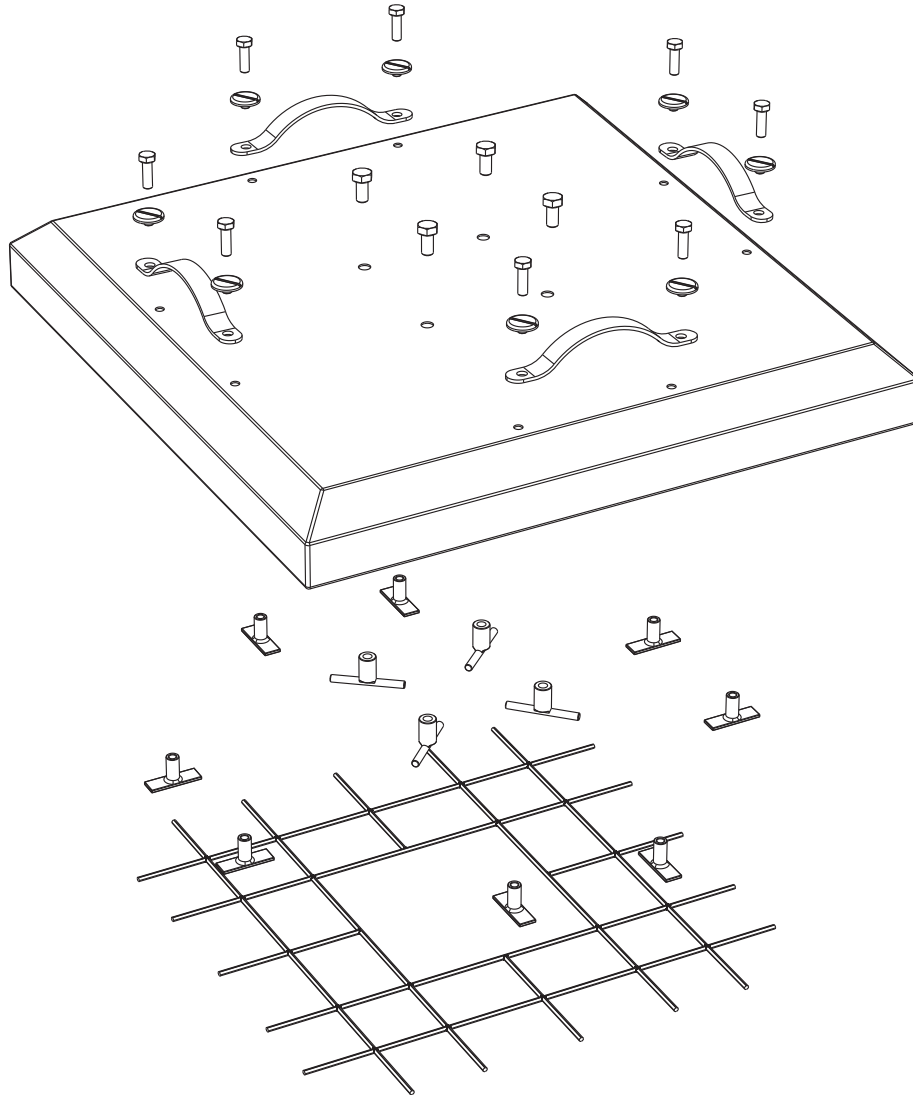


POUR IN MORE CONCRETE & GRAVEL MIX. TO BRIM OF THE SHELL BASE.

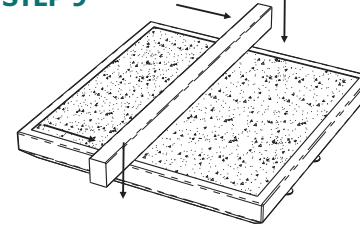
NOTES

Use box as working surface to avoid scratching or damages to shell base.

WOODLINE SHELL BASE KIT 800 x 800 mm (31.5" SQ) ASSEMBLY INSTRUCTIONS

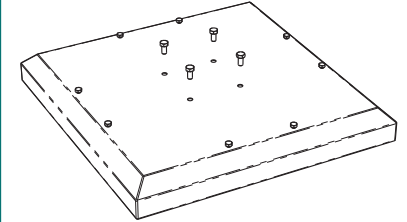


STEP 9



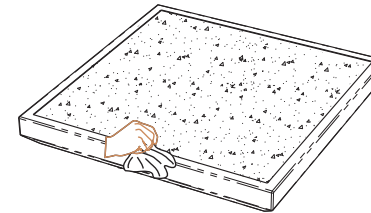
COMPACT CONCRETE MIX & SCRAPE ACROSS THE SURFACE TO ENSURE CONCRETE DOES NOT PROTRUDE ABOVE BOTTOM OF THE BASE.

STEP 13



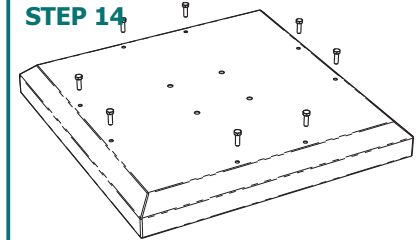
UNSCREW THE CENTER M10 BOLTS

STEP 10



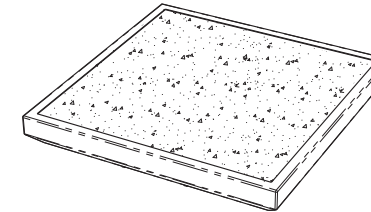
USE A DAMP CLOTH AND WIPE THE METAL RIM AREA CLEAN.

STEP 14



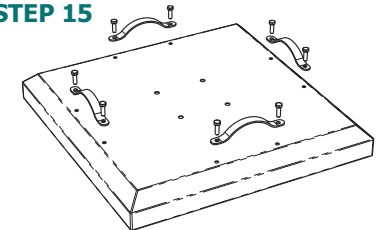
UNSCREW THE M8 BOLTS ON THE RIM OF BASE

STEP 11



LEAVE CONCRETE TO SET BEFORE YOU CONTINUE TO STEP 12. (THIS SHOULD BE FOR 24-48 HOURS)

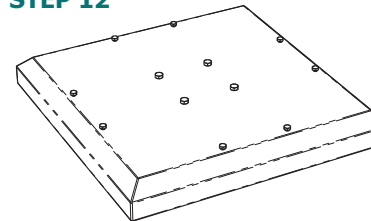
STEP 15



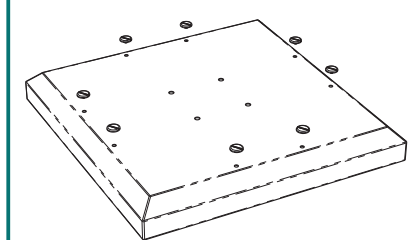
ATTACHE THE HANDLES USING THE M8 BOLTS AS INDICATED IN THE DIAGRAM. ENSURE THE BOLT ARE PROPERLY SECURED. HANDLES ARE USED FOR LIFTING & MOVING OF SHELL BASE.

OR

STEP 12



CAREFULLY TURN THE SHELL BASE OVER. (YOU WILL REQUIRE ASSISTANCE OF AT LEAST ONE OTHER PERSON AS THE WEIGHT IS +/- 230 lbs.)

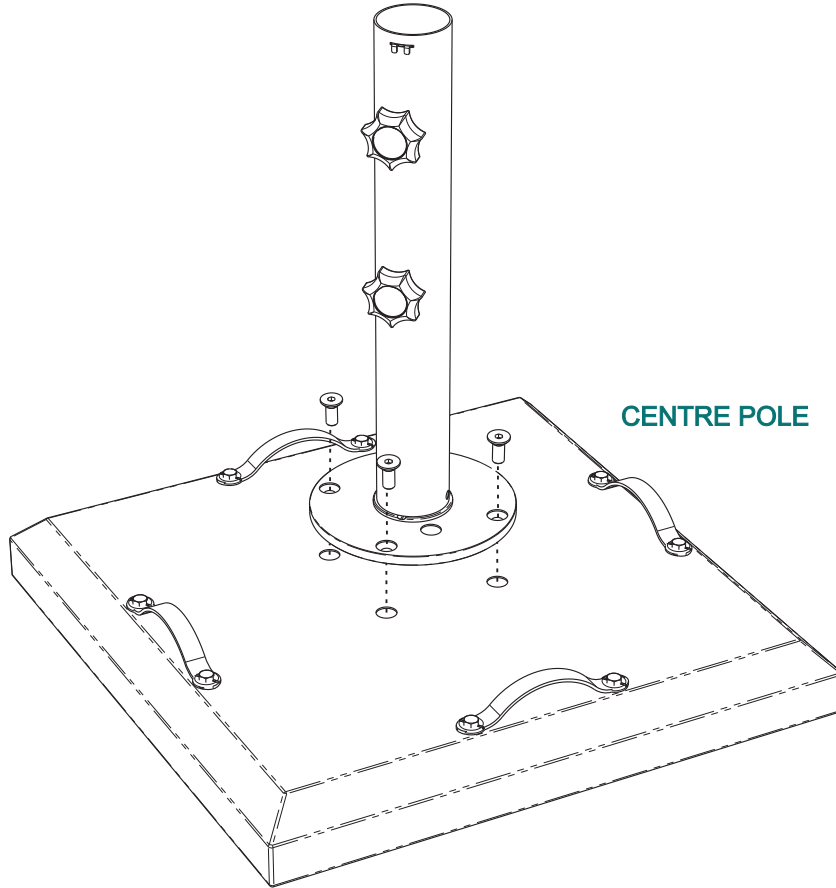


OR SCREW IN M8 SKIFFY PLUGS IN IF THE SHELL BASE IS IN THE REQUIRED POSITION.

WOODLINE SHELL BASE KIT 800 x 800 mm (31.5" SQ) ASSEMBLY INSTRUCTIONS

STEP 16

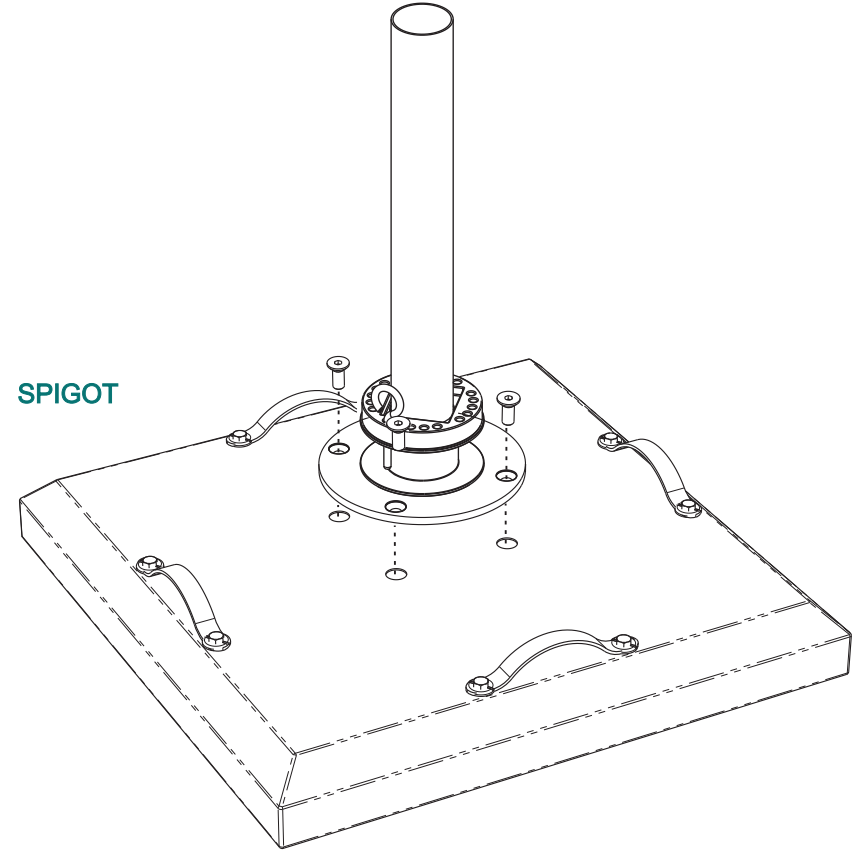
NOT INCLUDED



CENTRE POLE

OR

SPIGOT



USE THE 4 COUNTER SUNK BOLTS AND ALLEN KEY TO TIGHTEN THE BASE SHELL & SPIGOT OR CENTER POLE TOGETHER. ENSURE THE BOLTS ARE PROPERLY SECURED.