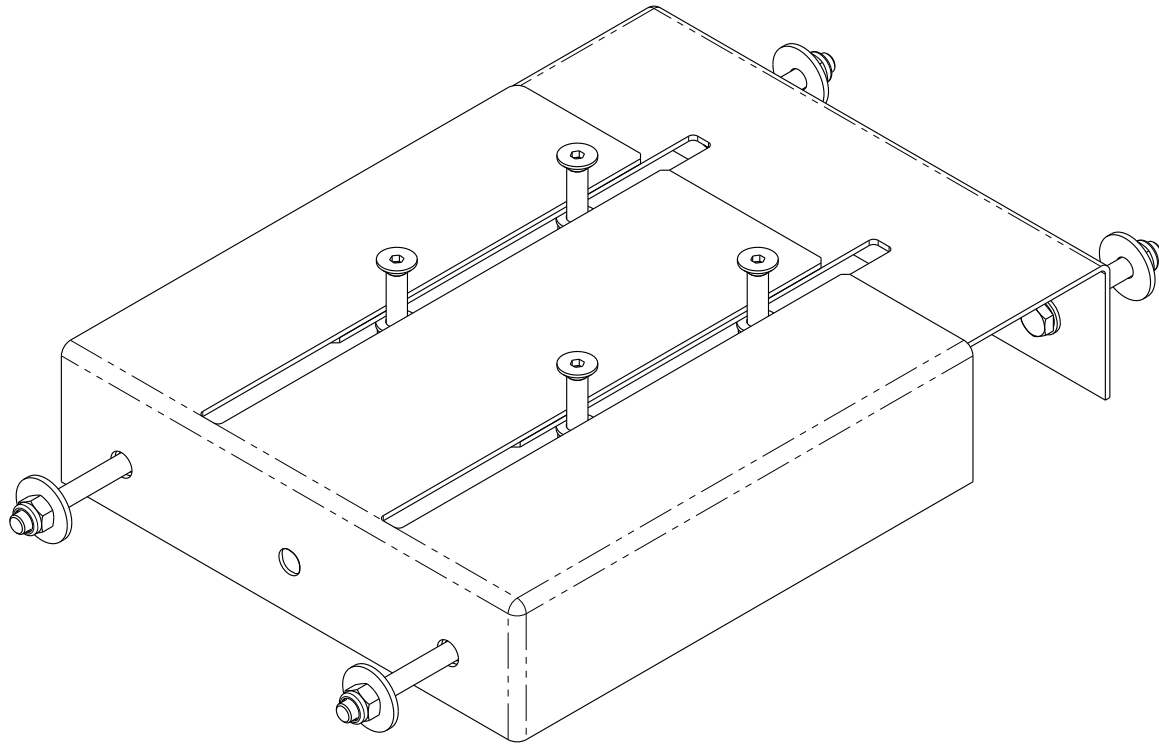




WOODLINE DECK MOUNT KIT 300 x 300 x 3 mm (12" SQUARE)

(SEE OVERLEAF FOR ASSEMBLY DIAGRAM.)




Item Code: 00000

PACKED WEIGHT & DIMENSIONS

Height: 4.53 inches (115 mm)
Width: 13.39 inches (340 mm)
Depth: 13.39 inches (340mm)
Weight: 15.4 pounds (7 Kg)

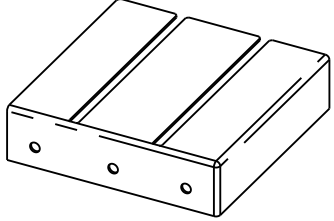
PARTS LIST

Item Code: 00000



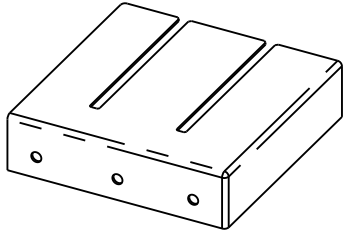
8 x M10 LOCK NUT

Item Code: 00000



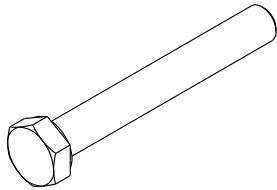
1 x DECK PLATE TOP

Item Code: 00000



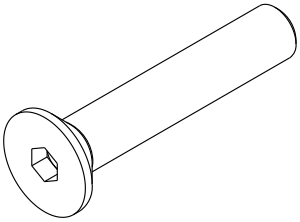
1 x DECK PLATE BOTTOM

Item Code: 00000



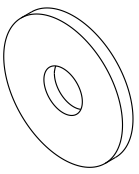
4 x M10 x 75 BOLT

Item Code: 0000



4 x M10 x 50 COUNTER SUNK BOLTS

Item Code: 0000



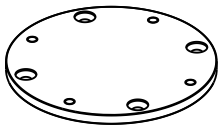
4 x OVERSIZE WASHERS

Item Code: 00000



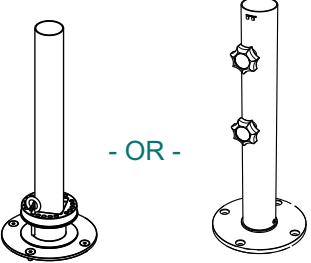
8 x M10 NORMAL WASHERS

Item Code: 00000



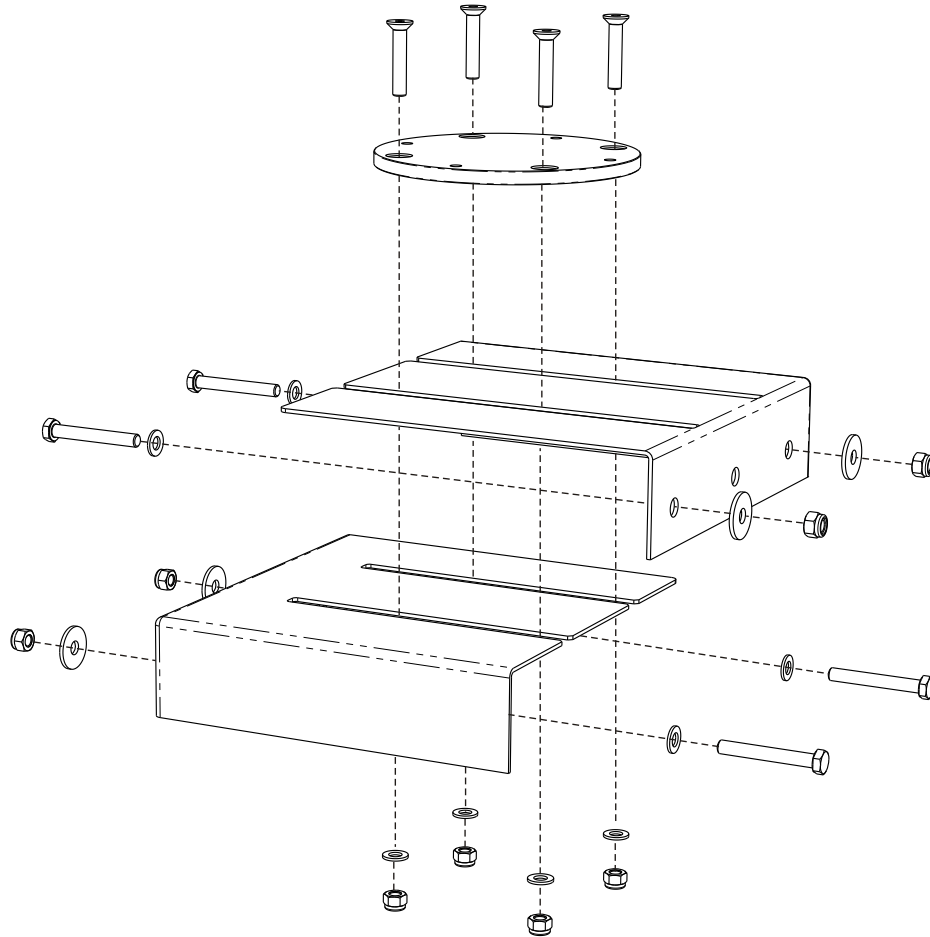
1 x BASE PLATE

- OR -

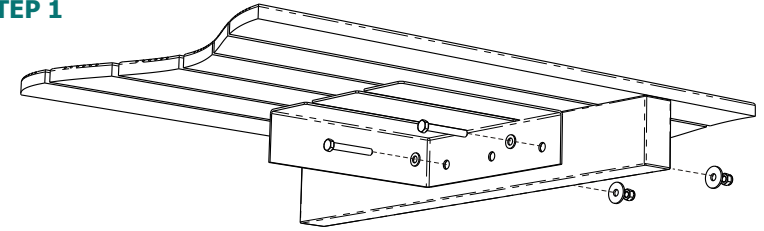


1 x PICCOLLO SPIGOT CENTRE POLE

WOODLINE DECK MOUNT KIT 300 x 300 x 3 mm (12" SQUARE) ASSEMBLY INSTRUCTIONS

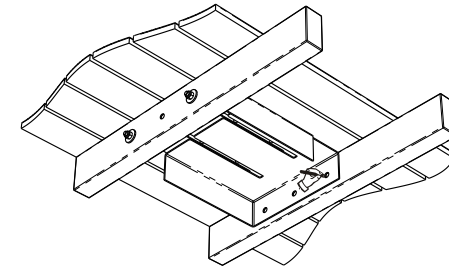


STEP 1



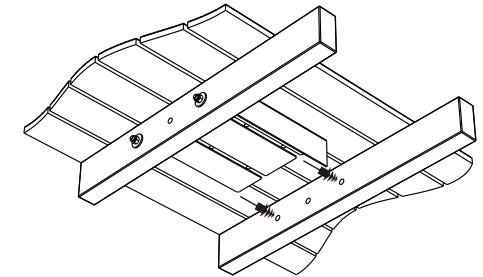
POSITION TOP DECK PLATE BRACKET AT DESIRED LOCATION AGAINST DECK BEAM AND BOTTOM OF DECK FLOOR. USE G-CLAMPS TO HOLD PLATE IN POSITION. MARK WHERE TO DRILL HOLES AND THEN FASTEN M10 X 75 BOLTS AS ILLUSTRATED.

STEP 2



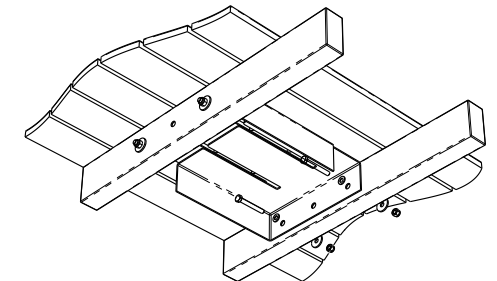
AFTER TOP DECK BRACKET IS PROPERLY FASTENED POSITION BOTTOM DECK BRACKET SO THAT IT IS FLUSH WITH TOP BRACKET AND THAT SLOTS OF BOTH BRACKETS ARE ALIGNED. USE G - CLAMPS TO HOLD PLATE IN POSITION. MARK HOLES AS ILLUSTRATED.

STEP 3



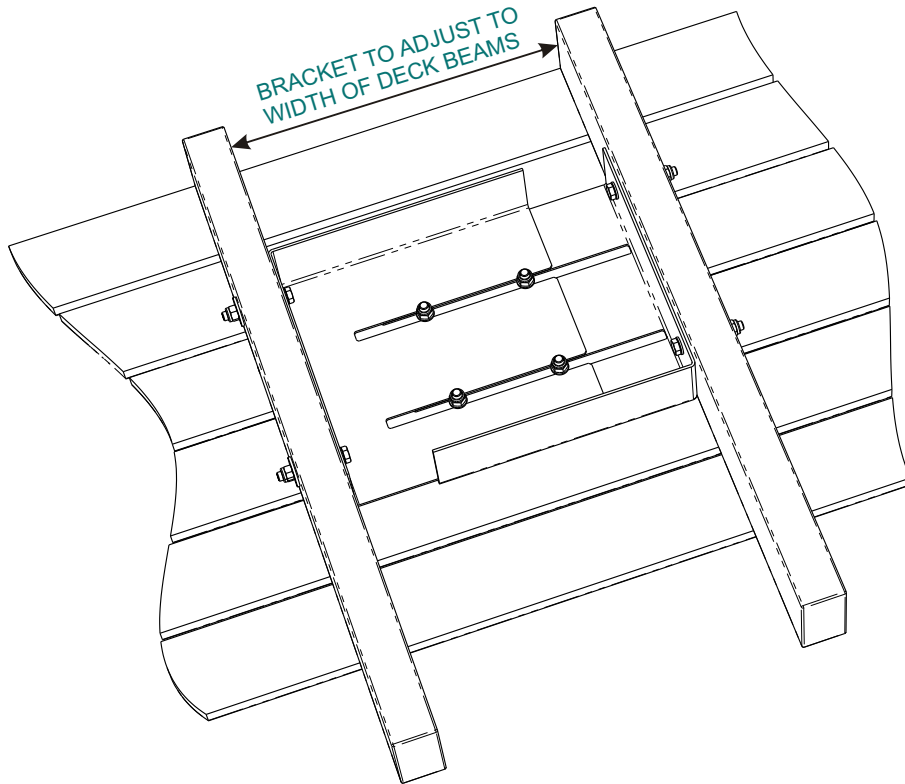
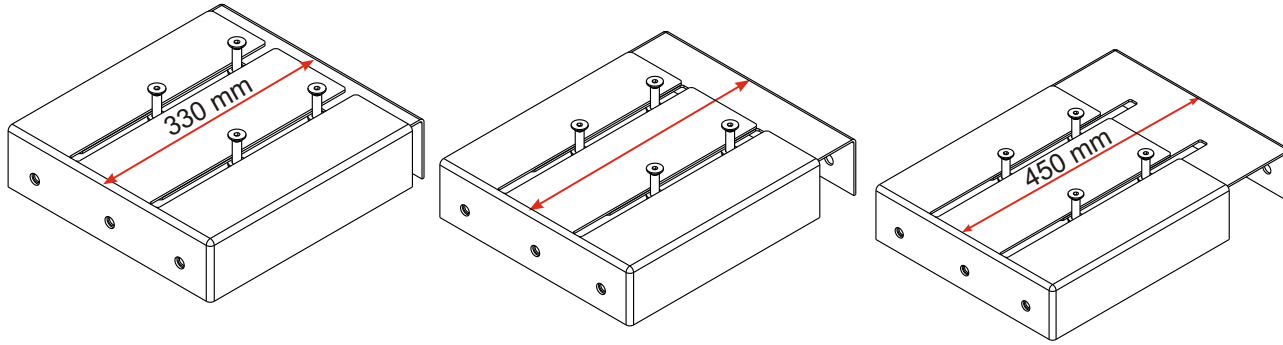
REMOVE G-CLAMPS AND BRACKETS BEFORE DRILLING DRILL. MARKED AREAS WITH M10 DRILL.

STEP 4

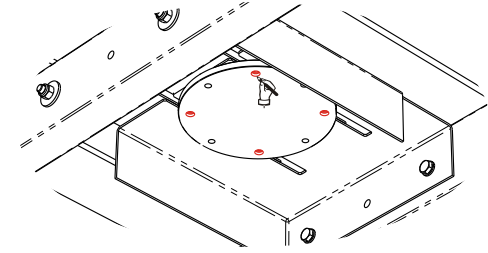


INSERT M10 X 75 BOLTS WITH SMALL WASHER ON BRACKET SIDE AND BIG WASHER ON OPPOSITE SIDE OF BEAM AS ILLUSTRATED. ENSURE THE BOLTS ARE PROPERLY SECURED.

WOODLINE DECK MOUNT KIT 300 x 300 x 3 mm (12" SQUARE) ASSEMBLY INSTRUCTIONS

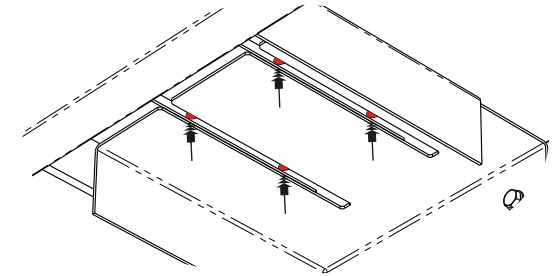


STEP 5



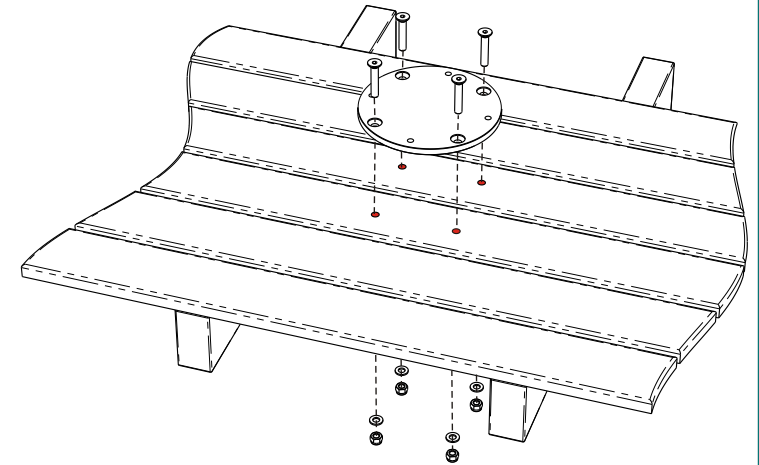
BASE PLATE CAN BE USED TO MARK DRILL HOLE POSITIONS FROM BELOW OR FROM ABOVE (CAN BE DONE FROM ABOVE IF THE SLOT DIRECTIONS ARE VISIBLE AND THE HOLES CAN BE CENTERED ABOVE THE SLOTS.)

STEP 6



DRILL HOLES WITH M10 DRILL BIT WHERE MARKED AS ILLUSTRATED ON SKETCH.

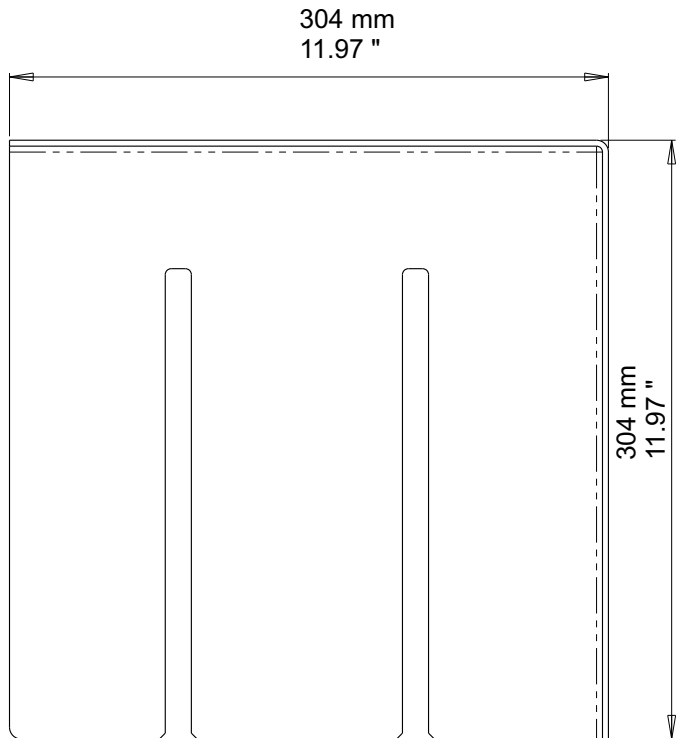
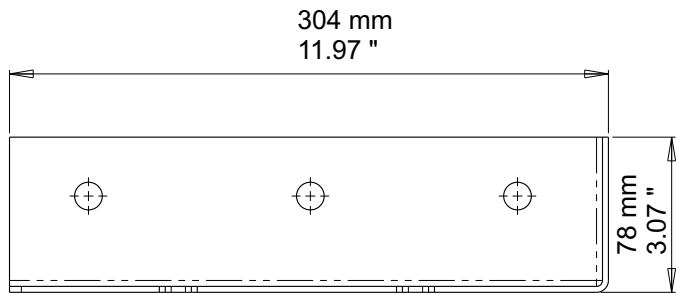
STEP 7



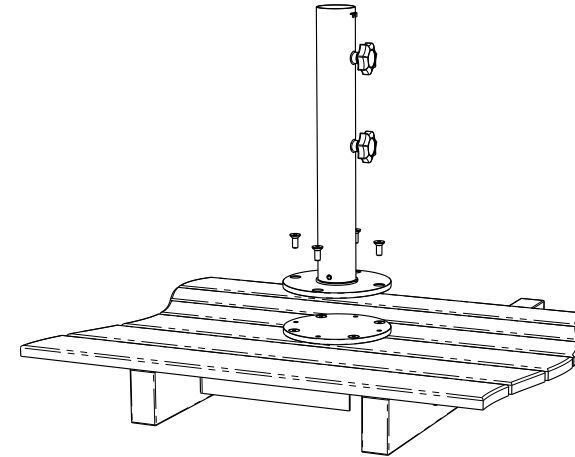
INSERT M10 COUNTER SUNK BOLTS THROUGH BASE PLATE AND HOLES ON DECK FLOOR. THEN FASTEN BASE PLATE TO UNIVERSAL BRACKET AND TOP OF DECK FLOOR AS ILLUSTRATED.



WOODLINE DECK MOUNT KIT 300 x 300 x 3 mm (12" SQUARE) ASSEMBLY INSTRUCTIONS

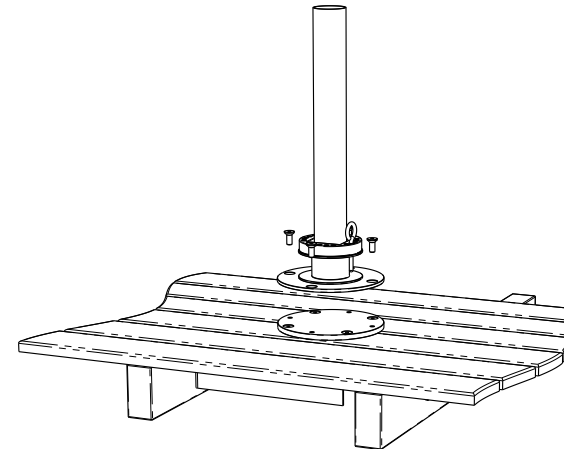


STEP 8



CENTRE POLE
* see note

OR



SPIGOT

USE THE 4 COUNTER SUNK BOLTS AND ALLEN KEY TO TIGHTEN THE BASE PLATE & SPIGOT OR CENTER POLE TOGETHER. ENSURE THE BOLTS ARE PROPERLY SECURED.