

PRODUCT CATEGORY

- Quality wall-mounted umbrella

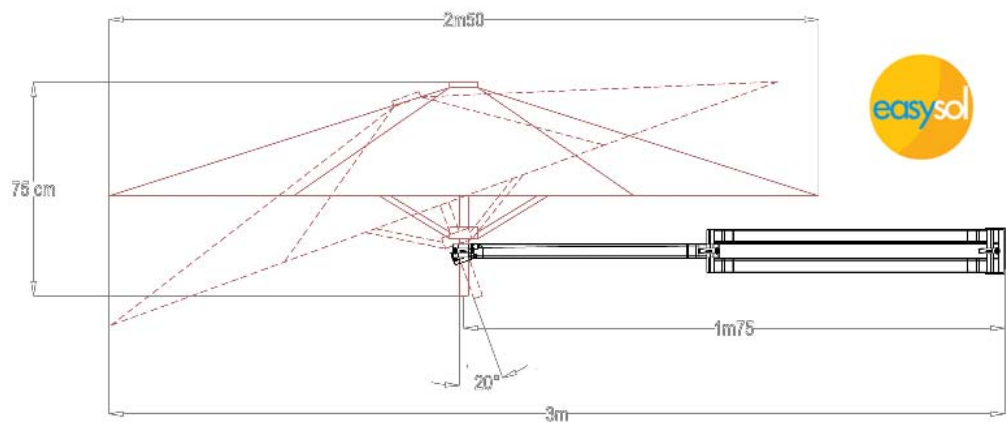


KEY PRODUCT ADVANTAGES

- Unique, contemporary shade umbrella design
- Easy to install, easy to use, easy to maintain
- Fully flexible arm to follow the sun all day long
- Tilt mechanism to block out the sun
- Practically endless positioning possible
- Removable canopy
- No center pole to get in the way!
- No heavy base to trip on!
- Allows for full use of outdoor space
- Ideal for any location, especially smaller patios and balconies
- Available in several colors and one size – 2.5m (8' 2")



DIMENSIONS (2.5m)



CONSUMER PACKAGING

- Convenient Cash & Carry kit (+/- 18x19x131 cm)
- Arm & umbrella packed together in a single box
- Detailed installation manual in the box
- Hardware for attaching product to wall not included
- Advice on how to mount printed on the consumer packaging



