

**Information:** The content of this document, in particular the mentioned models, is protected by copyrights and/or design rights. The present document and its content is communicated to you for information purposes only. Any partial or total reproduction or any other use without our prior written permission is strictly prohibited.

This technical sheet remains subject to possible changes. **All dimensions are in ft inch**, unless mentioned otherwise. Extremis is not responsible for the errors in the documentation of products. All measurements are approximate and are provided for informational purposes only.

**TECH SHEET**  
20150715

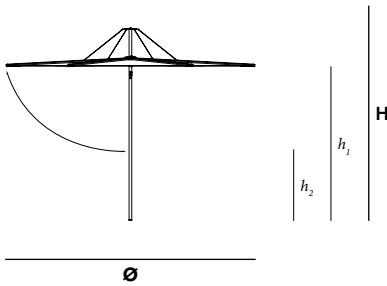
# INUMBRINA

**{extremis}**  
tools for togetherness

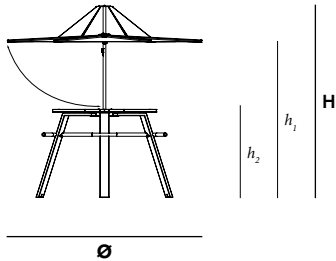


**Versions & options:**

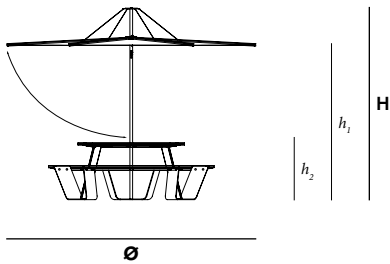
*Inumbrina ø25 | Inumbrina ø32 | Inumbrina ø38 | floor fastening | concrete base | concrete wheel base | low table | high table | in combination with Gargantua, Pantagruel, Abachus & Anker*



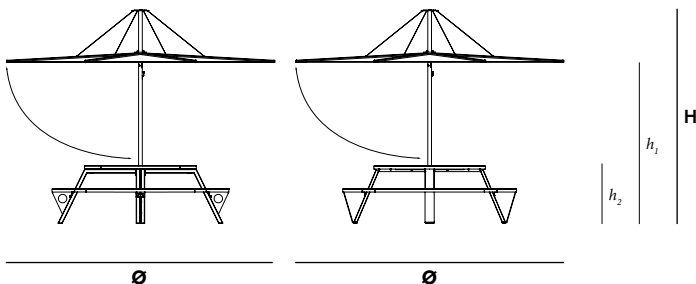
Dimensions (ft inch)	Ø	H	h <sub>1</sub>	h <sub>2</sub>
Inumbrina ø25	8' 2"	8' 2"	6' 7"	3' 11"
Inumbrina ø32	10' 5"	8' 2"	6' 7"	2' 9"
Inumbrina ø38	12' 5"	9' 1"	6' 11"	2' 5"



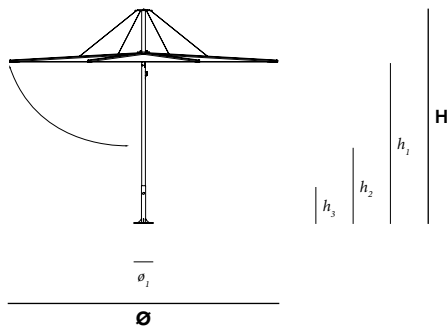
Dimensions (ft inch)	Ø	H	h <sub>1</sub>	h <sub>2</sub>
Inumbrina ø25 with Abachus	8' 2"	8' 2"	6' 7"	3' 11"



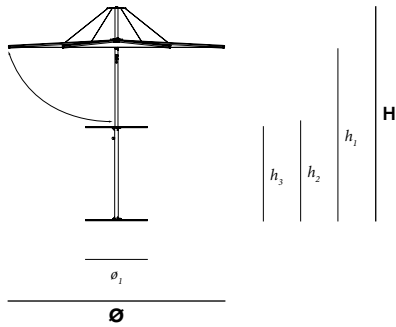
Dimensions (ft inch)	Ø	H	h <sub>1</sub>	h <sub>2</sub>
Inumbrina ø32 with Anker	10' 5"	8' 2"	6' 7"	2' 9"



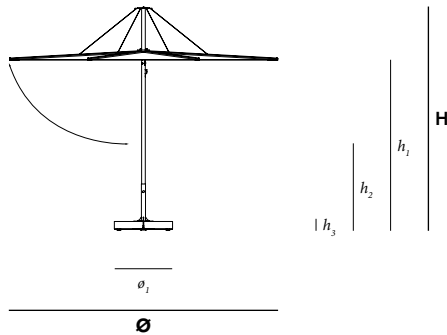
Dimensions (ft inch)	Ø	H	h <sub>1</sub>	h <sub>2</sub>
Inumbrina ø38 with Gargantua	12' 5"	9' 1"	6' 11"	2' 7"
Inumbrina ø38 with Pantagruel	12' 5"	9' 1"	6' 11"	2' 7"



Dimensions (ft inch)	Ø	H	$h_1$	$h_2$	$h_3$
Inumbrina ø25 with floor fastening	8' 2"	8' 2"	0' 3"	6' 7"	3' 11"
Inumbrina ø32 with floor fastening	10' 5"	8' 2"	0' 3"	6' 7"	2' 9"
Inumbrina ø38 with floor fastening	12' 5"	9' 1"	0' 9"	6' 11"	2' 7"



Dimensions (ft inch)	Ø	H	$h_1$	$h_2$	$h_3$
Inumbrina ø25 with table	8' 2"	8' 2"	2' 4"	6' 7"	3' 11"
Inumbrina ø32 with table	10' 5"	8' 2"	2' 4"	6' 7"	2' 9"

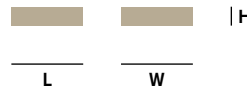


Dimensions (ft inch)	Ø	H	$w_1$	$h_1$	$h_2$	$h_3$
Inumbrina ø38 on concrete base	12' 5"	9' 6"	2' 5"	7' 3"	2' 7"	112
Inumbrina ø38 on concrete wheel base	12' 5"	9' 9"	2' 8"	7' 6"	2' 10"	190

BOX 1: INUMBRINA



BOX 2: CONCRETE BLOCK



BOX 3: GALVANISED FRAME



Box dimensions (ft inch)		L	W	H	Qty (#)	Volume (ft³)	Gross weight (lb)	Net weight (lb)	Packaging weight (lb)
Inumbrina ø25	Box 1	8' 9"	0' 10"	0' 11"	1	7,06	35,58	28,35	7,23
Inumbrina ø32	Box 1	8' 9"	0' 10"	0' 11"	1	7,06	35,93	28,70	7,23
Inumbrina ø38	Box 1	9' 4"	0' 10"	0' 11"	1	7,77	43,43	36,20	7,23
Steel disc plate	Box 4	2' 6"	2' 6"	0' 1"	1	1,06	24,25	17,64	6,61
HPL tabletop	Box 4	2' 6"	2' 6"	0' 1"	1	1,06	85,98	79,37	6,61
Concrete base	Box 2	1' 2"	1' 2"	0' 3"	4	2,12	261,91	258,38	3,53
Concrete wheel base	Box 2	1' 2"	1' 2"	0' 3"	4	2,12	261,91	258,38	3,53
	Box 3	2' 7"	2' 7"	0' 1"	1	1,06	16,97	16,09	0,88
	<b>total:</b>				<b>3,18</b>		<b>278,88</b>	<b>274,47</b>	<b>4,41</b>

**The parts mentioned below are delivered inside the parasol box 1:**

- assembly for Gargantua & Pantagruel: IULGA 2,03 lb
- floor fastening Inumbrina 25 - 32: IULV22 2,62 lb
- floor fastening Inumbrina 38: IULV50 3,70 lb
- galvanised frame for concrete base 13,89 lb

## FABRIC



White



Taupe



Black



Materials	Key facts	Thickness inch	Layer thickness micron	Density	In/outdoor	Water	UV colour fastness	Flame retarding
High tech polyester fabric	<ul style="list-style-type: none"> <li>• high UV resistance and ultra strong</li> <li>• low weight / high tear strenght</li> <li>• long term appearance</li> </ul>	0,01	n.a.	0,01 oz/ft <sup>2</sup>	outdoor & indoor	the fabric has a water column of 350 mm (EN 20811)	7/8 (ISO 105-B02)	/
Stainless steel base	<ul style="list-style-type: none"> <li>• high rusting resistance</li> <li>• periodical maintenance</li> </ul>	0,07 - 0,19	n.a.	0,50 10 <sup>9</sup> lb/ft <sup>3</sup>	outdoor & indoor	n.a.	very good	NEN-EN13501-1 A1 *
Concrete base	<ul style="list-style-type: none"> <li>• made under high pressure</li> <li>• matt and porous</li> </ul>	3,93	n.a.	0,13 10 <sup>9</sup> lb/ft <sup>3</sup>	outdoor & indoor	n.a.	very good	NEN-EN13501-1 A1 *
Galvanised steel base for concrete base	<ul style="list-style-type: none"> <li>• most durable method for protecting metal from rusting</li> <li>• protective layer</li> <li>• very long life span</li> <li>• can perfectly be recycled</li> </ul>	0,07 - 0,39	50 - 100	0,47 10 <sup>9</sup> lb/ft <sup>3</sup>	outdoor & indoor	n.a.	very good, galvanisation will however become dull when used outdoors	NEN-EN13501-1 A1 *
Powder coated steel base	<ul style="list-style-type: none"> <li>• consists of natural minerals bonded by acrylis</li> <li>• long-life</li> <li>• resistant to impact, stains and discolouration</li> <li>• non-flammable</li> <li>• very easy to clean and maintain</li> </ul>	0,31	50 - 100	0,48 10 <sup>9</sup> lb/ft <sup>3</sup>	outdoor & indoor	n.a.	very good: colour can fade a little bit when exposed to UV	NEN-EN13501-1 A2-s1 **
HPL tabletop	<ul style="list-style-type: none"> <li>• manufactured under high pressure</li> <li>• reinforced with wood fibres</li> <li>• flat panel</li> <li>• high impact resistance</li> <li>• easy to clean</li> </ul>	0,51	n.a.	0,09 10 <sup>9</sup> lb/ft <sup>3</sup>	outdoor & indoor	n.a.	>6 (EN438-2:27) en (ASTM G53-91)	/
Solid surface tabletop	<ul style="list-style-type: none"> <li>• made under high pressure</li> <li>• matt and non-porous</li> <li>• 1/3 PMMA + 2/3 ATH</li> </ul>	0,47	n.a.	0,10 10 <sup>9</sup> lb/ft <sup>3</sup>	outdoor & indoor	n.a.	>6 DIN EN 1015-B02	B-s1 (EN 13501-1)

\* NEN-EN13501-1 A1

Class A1 products will not contribute in any stage of the fire including the fully developed fire. For that reason they are assumed to be capable of satisfying automatically all requirements of all lower classes.

\*\* NEN-EN13501-1 A2-s1

Satisfying the same criteria as class B for the SBI-test according to EN 13823. In addition, under conditions of a fully developed fire these products will not significantly contribute to the fire load and fire growth.

Class A - class 1 (UBC 8-1)

Californian standard.

## APPLICATIONS

**Private:** fixed to the ground, fixed steel plate, on a (wheel) base, on a Gargantua, Pantagruel, Abachus or Anker table

## INSTRUCTIONS

1. Open the Inumbrina's Velcro fastener. Attach the Velcro strap to the rib so that it cannot move freely and obstruct the view.
2. To open the parasol, firmly pull the rope until the parasol fabric is almost completely horizontal.
3. To put the rope in the tube, you should fold it in 2 and put the loop in the hole until it is completely tucked away.
4. To close the parasol again, take the rope out the tube and hold it in a slight angle: Tip: keep the rope aslope until the parasol is completely closed.



## WARNING

In windy circumstances, close the parasol and wrap the velcro strap around the ribs. In case of strong winds or when not in use, protect the Inumbrina with (optional) cover or store it indoors to avoid that the parasol would blow open or get dirty.

Do not leave the parasol unattended when opened.

For ventilation purposes, the cover is not 100% water proof.

Do not leave closed if not completely dry. Do not leave the parasol closed for a long time if it is still damp or wet.

Store the parasol when not in use for a long time as follows: vertically, completely dry and in a dry environment.

## FLOOR FASTENING

Inumbrina comes with optional floor anchoring set and an assembly for permanent fixation into a concrete foundation.

## GOOD TO KNOW

1. The diameter of the pole of the Inumbrina 38 is Ø0,02 inch. The diameter of the pole of the Inumbrina 25 & 32 is Ø0,01 mm.
2. Inumbrina combines perfectly with the Gargantua, Pantagruel, Abachus & Anker table.



## F.A.Q.

*Q: Is the fabric 100% waterproof?*

A: With light rain fall you can stay seated under the parasol. The fabric is slightly slanted in opened position. By heavy rain fall the canvas lets through a little bit of water. This is typical for the fabric and necessary because the fabric should be able to ventilate.

*Q: Can you remove the fabric for washing?*

A: We don't advice this but it is possible. In the first place, you should close the parasol when you don't use it and protect it with its cover. This avoids the parasol from getting dirty.

## MAINTENANCE

Download the manuals from our website for maintenance instructions.