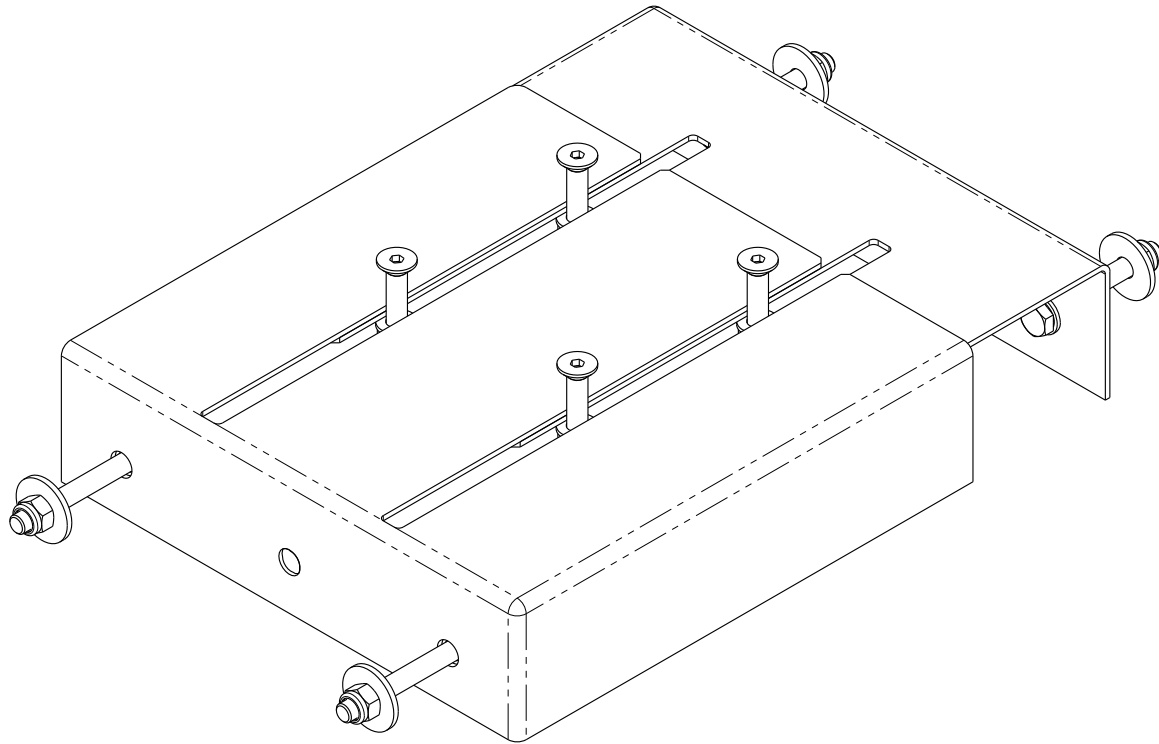




# WOODLINE DECK MOUNT KIT 300 x 450 x 4.5 mm FOR PENDULUM

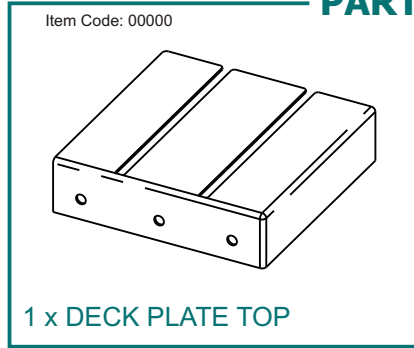


Item Code: 00000



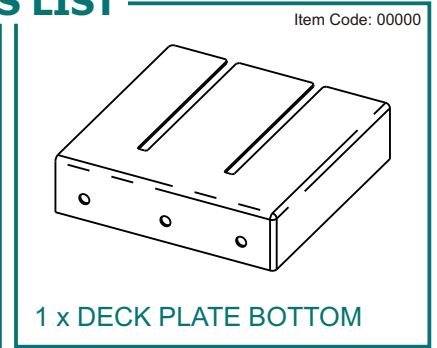
Item Code: 00000

8 x M10 LOCK NUT



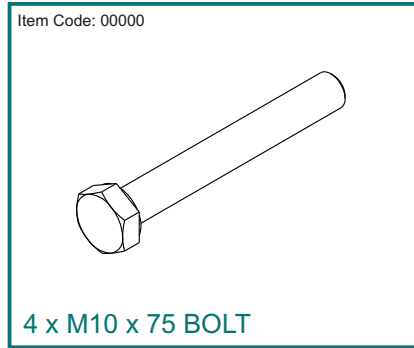
Item Code: 00000

1 x DECK PLATE TOP



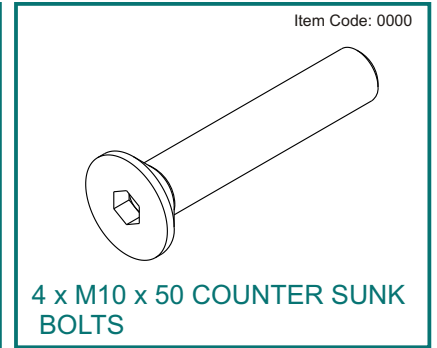
Item Code: 00000

1 x DECK PLATE BOTTOM



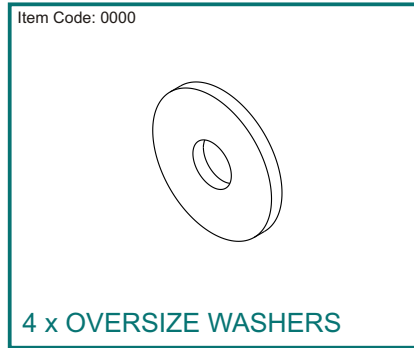
Item Code: 00000

4 x M10 x 75 BOLT



Item Code: 0000

4 x M10 x 50 COUNTER SUNK BOLTS



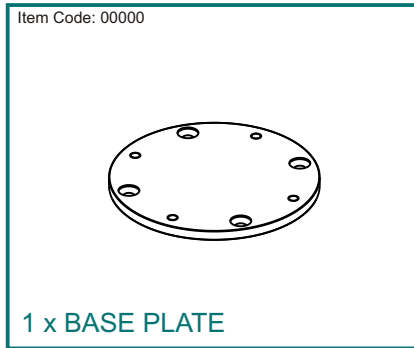
Item Code: 0000

4 x OVERSIZE WASHERS



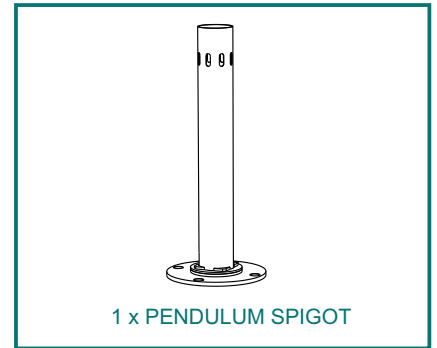
Item Code: 00000

8 x M10 NORMAL WASHERS



Item Code: 00000

1 x BASE PLATE

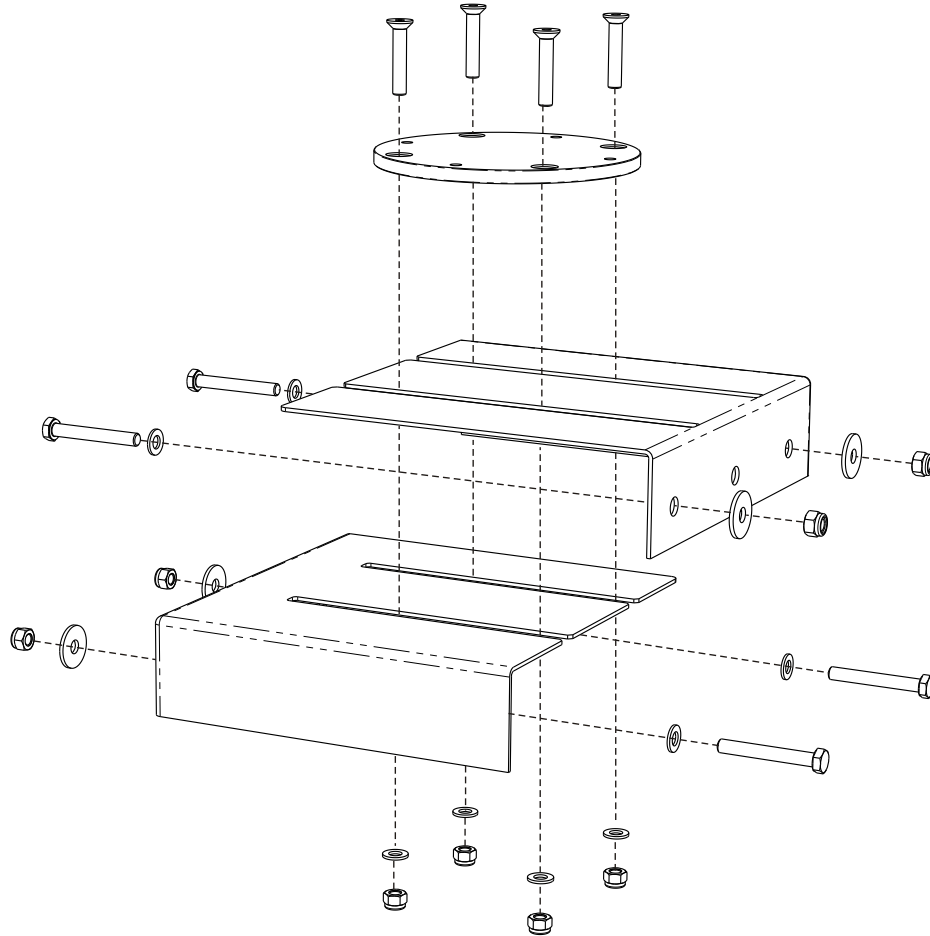


1 x PENDULUM SPIGOT

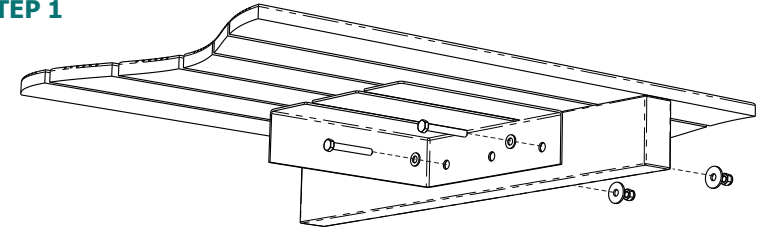
**PACKED WEIGHT & DIMENSIONS**  
Height: 4.72 inches (120 mm)  
Width: 18.50 inches (470 mm)  
Depth: 13.39 inches (340mm)  
Weight: 15.4 pounds (14.5 Kg)

## PARTS LIST

# WOODLINE DECK MOUNT KIT 300 x 450 x 4.5 mm ASSEMBLY INSTRUCTIONS FOR PENDULUM

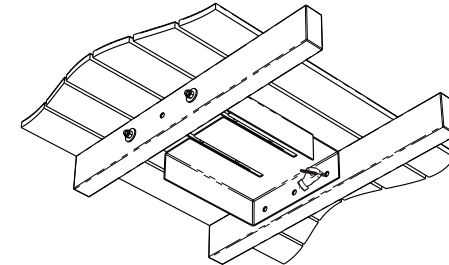


## STEP 1



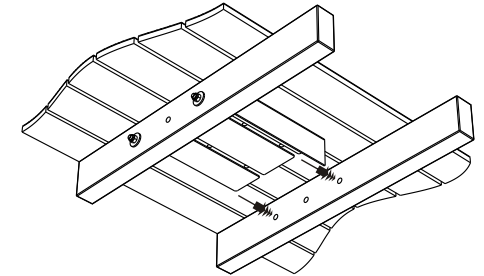
POSITION TOP DECK PLATE BRACKET AT DESIRED LOCATION AGAINST DECK BEAM AND BOTTOM OF DECK FLOOR. USE G-CLAMPS TO HOLD PLATE IN POSITION. MARK WHERE TO DRILL HOLES AND THEN FASTEN M10 X 75 BOLTS AS ILLUSTRATED.

## STEP 2



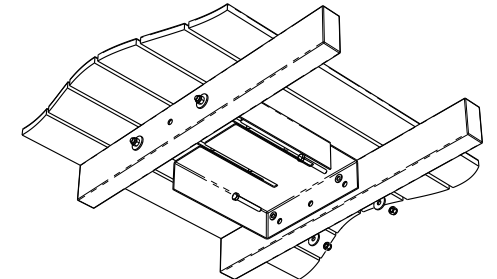
AFTER TOP DECK BRACKET IS PROPERLY FASTENED POSITION BOTTOM DECK BRACKET SO THAT IT IS FLUSH WITH TOP BRACKET AND THAT SLOTS OF BOTH BRACKETS ARE ALIGNED. USE G - CLAMPS TO HOLD PLATE IN POSITION. MARK HOLES AS ILLUSTRATED.

## STEP 3



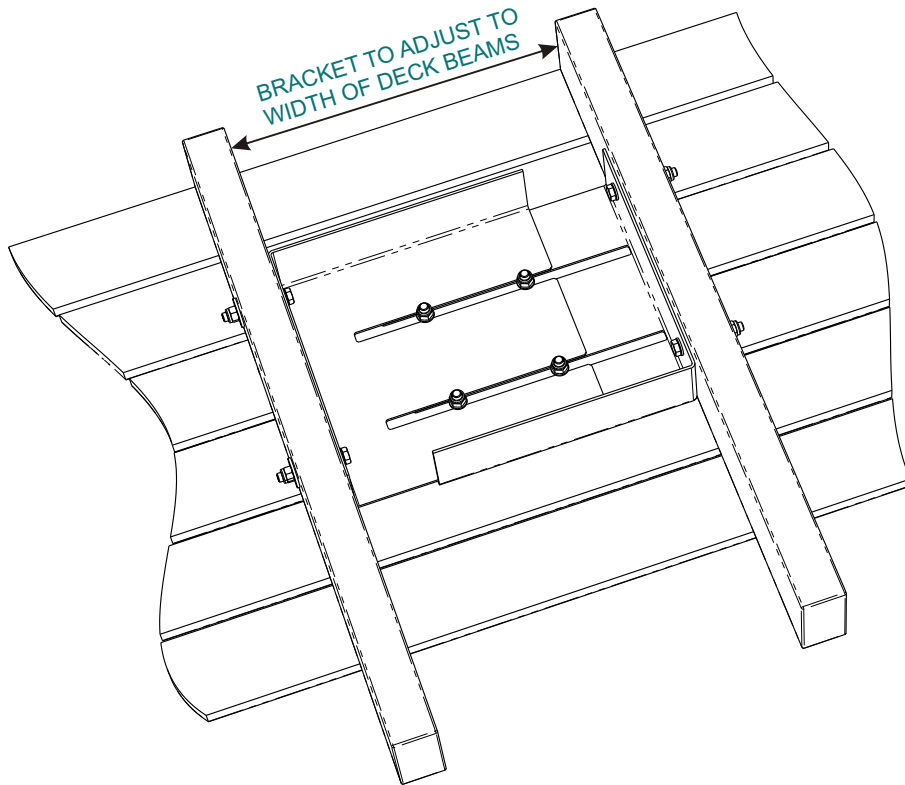
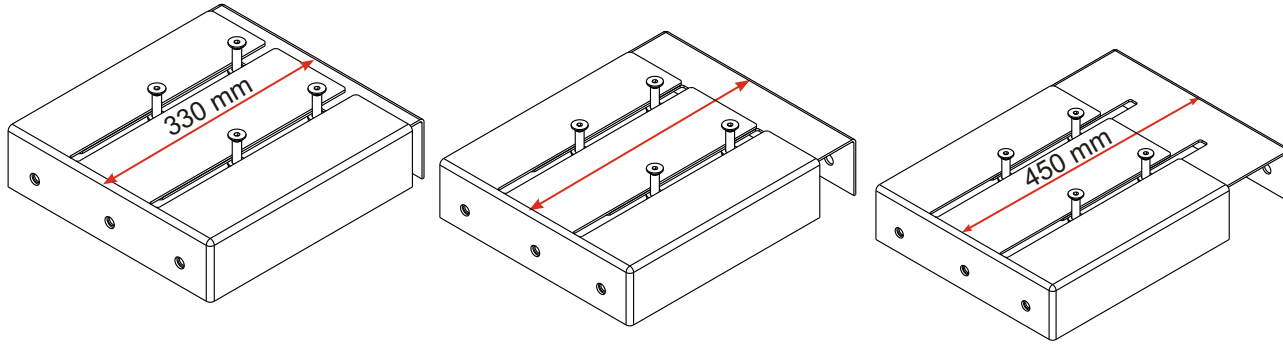
REMOVE G-CLAMPS AND BRACKETS BEFORE DRILLING DRILL. MARKED AREAS WITH M10 DRILL.

## STEP 4

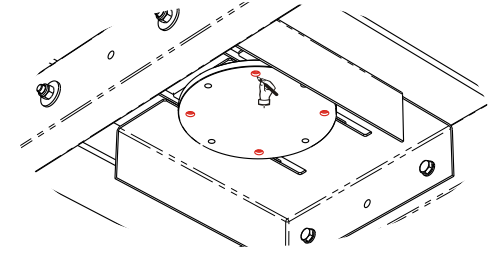


INSERT M10 X 75 BOLTS WITH SMALL WASHER ON BRACKET SIDE AND BIG WASHER ON OPPOSITE SIDE OF BEAM AS ILLUSTRATED. ENSURE THE BOLTS ARE PROPERLY SECURED.

# WOODLINE DECK MOUNT KIT 300 x 450 x 4.5 mm ASSEMBLY INSTRUCTIONS

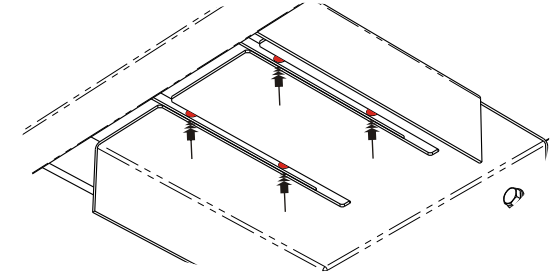


## STEP 5



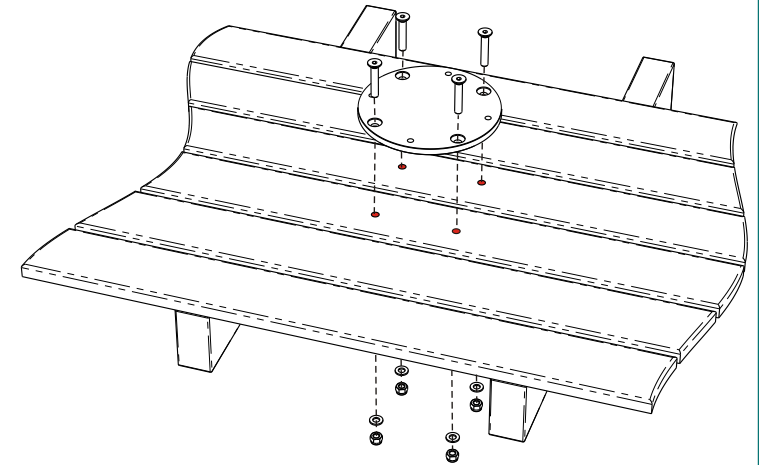
BASE PLATE CAN BE USED TO MARK DRILL HOLE POSITIONS FROM BELOW OR FROM ABOVE (CAN BE DONE FROM ABOVE IF THE SLOT DIRECTIONS ARE VISIBLE AND THE HOLES CAN BE CENTERED ABOVE THE SLOTS.)

## STEP 6



DRILL HOLES WITH M10 DRILL BIT WHERE MARKED AS ILLUSTRATED ON SKETCH.

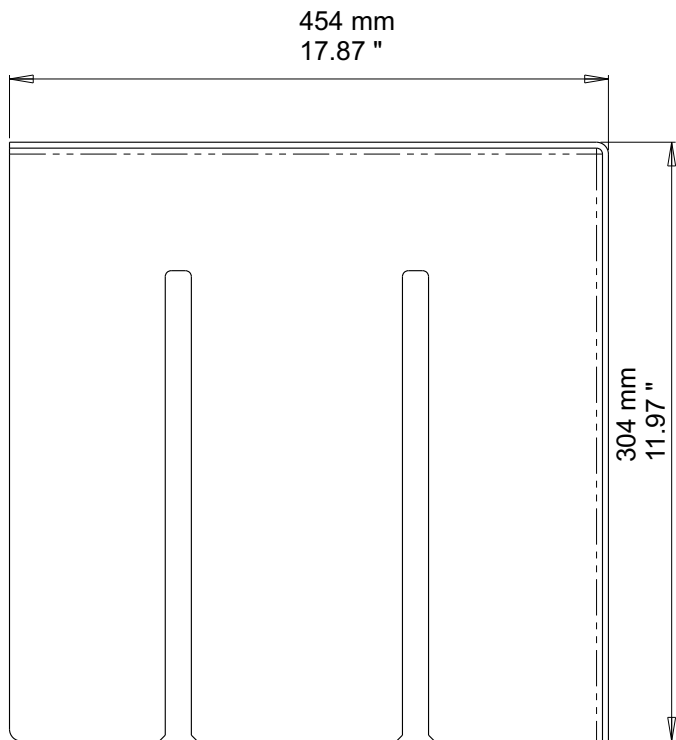
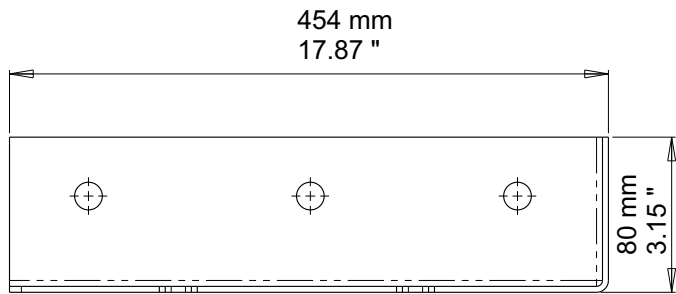
## STEP 7



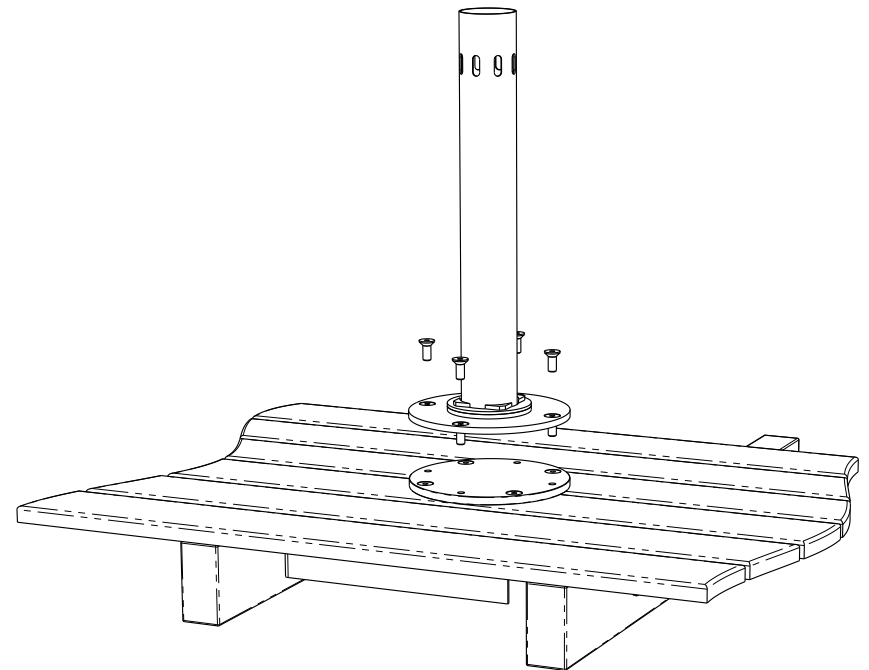
INSERT M10 COUNTER SUNK BOLTS THROUGH BASE PLATE AND HOLES ON DECK FLOOR. THEN FASTEN BASE PLATE TO UNIVERSAL BRACKET AND TOP OF DECK FLOOR AS ILLUSTRATED.



# WOODLINE DECK MOUNT KIT 300 x 450 x 4.5mm ASSEMBLY INSTRUCTIONS



## STEP 8

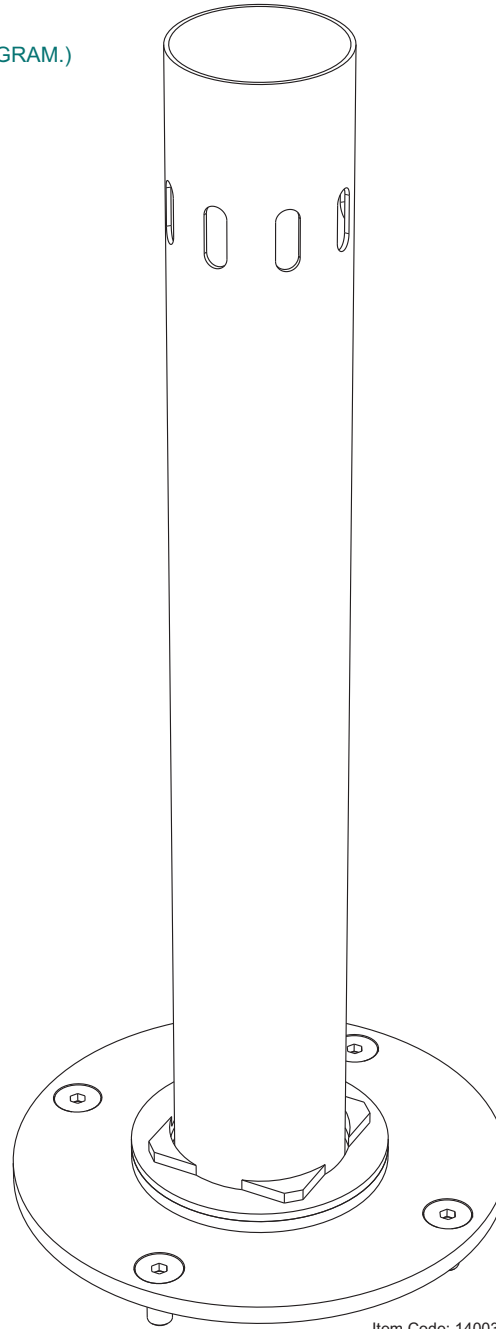


USE THE 4 COUNTER SUNK BOLTS AND ALLEN KEY TO TIGHTEN THE BASE PLATE & SPIGOT TOGETHER. ENSURE THE BOLTS ARE PROPERLY SECURED.



# WOODLINE PENDULUM SPIGOT

(SEE OVERLEAF FOR ASSEMBLY DIAGRAM.)

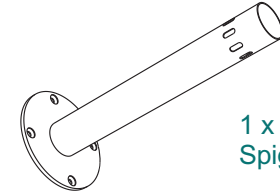


Item Code: 14003

## PACKED WEIGHT & DIMENSIONS

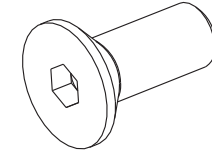
Height: 22.05 inches (560 mm)  
Width: 8.27 inches (210 mm)  
Depth: 8.27 inches (210 mm)  
Weight: 8.8 pounds (4.0 Kg)

## PARTS LIST



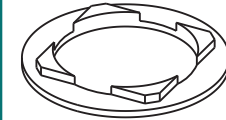
1 x Pendulum Spigot

Item Code: 14004



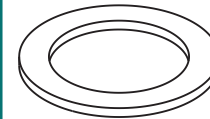
4 x M10 / X16 Countersunk Bolts

Item Code: 14039



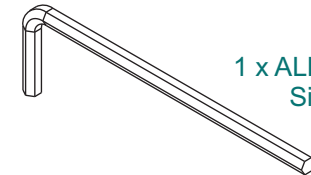
1 x Nylon Washer Raised

Item Code: 06563



1 x Nylon Washer

Item Code: 6562



1 x ALLEN KEY Size 6

Item Code: 01600

# WOODLINE PENDULUM SPIGOT ASSEMBLY INSTRUCTIONS

