

# Mounting instructions for rain gutter

Thank you very much for purchasing a MAY sunshade.

The following instructions include all information necessary for the correct mounting and handling of your MAY sunshade rain gutter. For safety reasons, please read these instructions carefully and then keep them for later reference.



## Attention

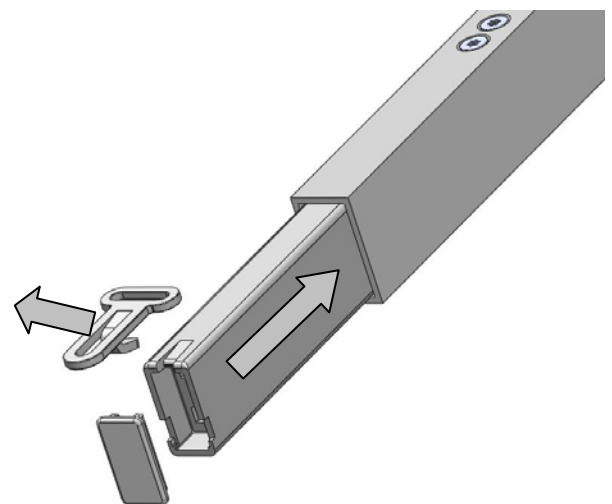
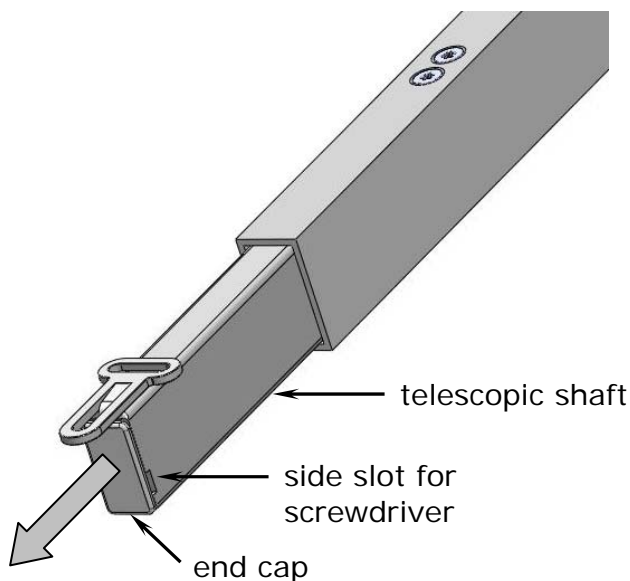
**Non-observation of operating instructions can result in damage to property!**

Please note that if these instructions are not observed, the manufacturer cannot assume any liability or guarantee.

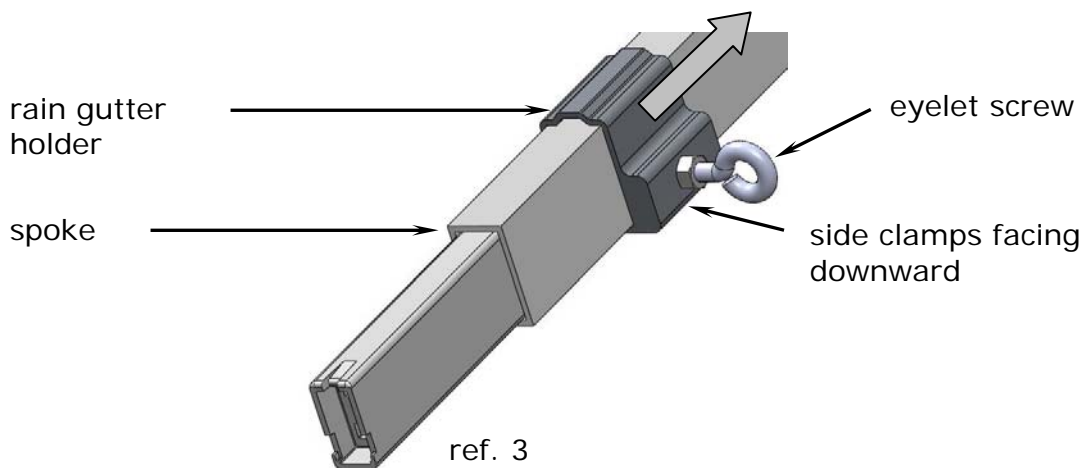
- Always follow the safety regulations.
- Should you not understand any part of these mounting instructions, please contact your MAY dealer.

## Mounting the rain gutter holder

1. Open the umbrella about halfway.
2. Remove the canopy tensioning hook from the telescopic shaft of the spoke. In order to do so, insert the tip of a screwdriver into the side slot and push off the end cap. Then press the telescopic shaft toward the centre mast and pull the hook outward.



3. Slide the rain gutter holder along the spoke to the required position. Make sure that the side clamps of the holder are facing downward.



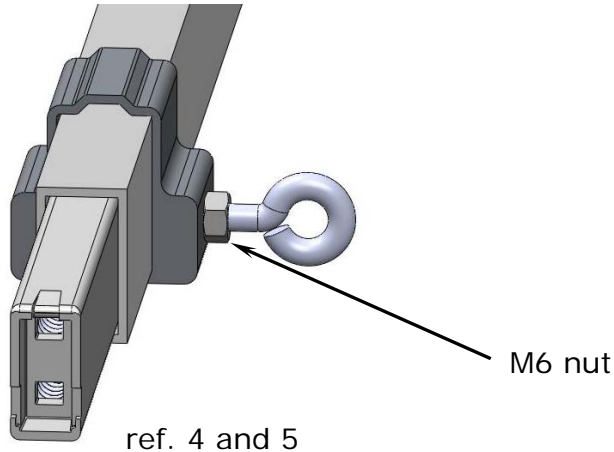
**Attention**

**If the side clamps are mounted the wrong way round, the canopy fabric can get scoured. No liability!**

A wrongly mounted holder will, in the course of time, damage the fabric.

➤ The side clamps of the gutter holder must face the ground.

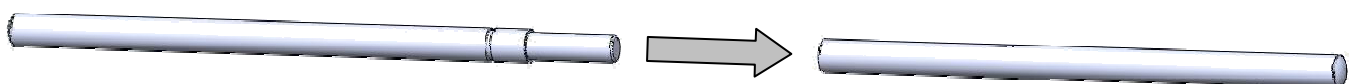
4. Turn the eyelet screw clockwise until the holder is clamped tight on the spoke.
5. Tighten the M6 nut clockwise, so that the eyelet screw cannot become loose.



6. Hook the tensioning hook back onto the telescopic shaft and press the cap back on. If the cap doesn't fit properly, just turn it the other way round.

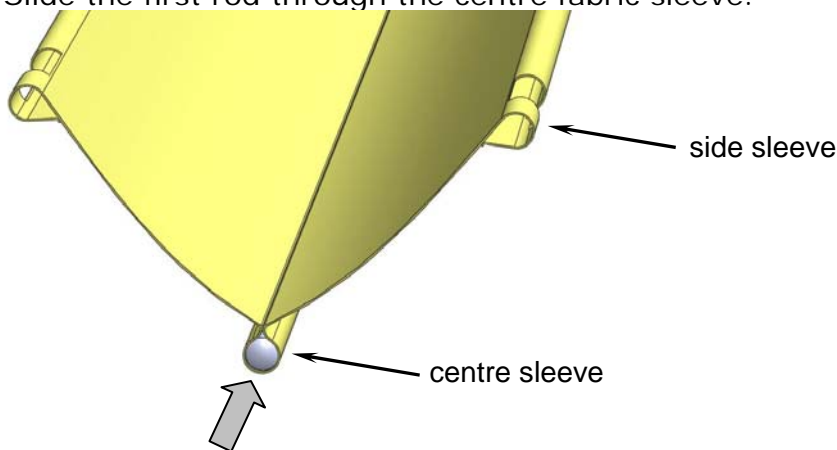
## Connecting the form rods

1. Extra long rods are fitted into each other as shown below.

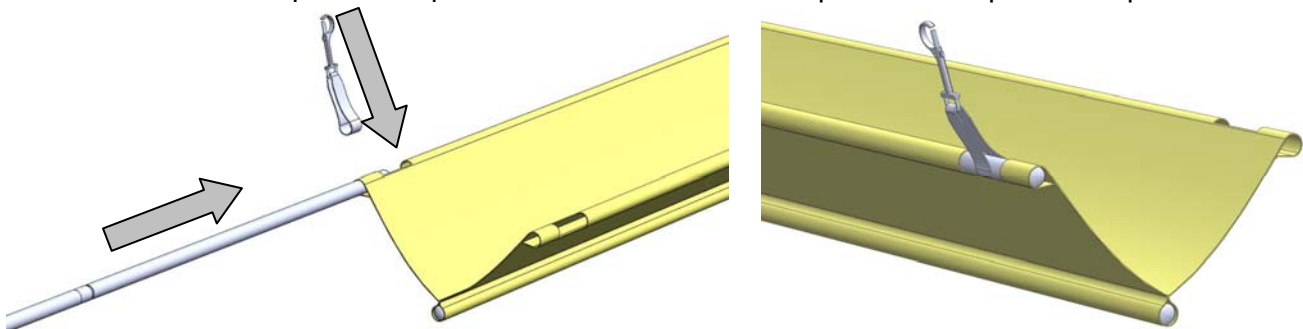


## Mounting the rain gutter

1. Place the rain gutter fabric on a clean surface so that it doesn't get soiled or damaged.
2. Form rods for complex rain gutter systems bear metal-stamped numbers. These will help you to assemble the rods in the right position. The allocation of the rods is shown on the rear page of these instructions.
3. Slide the first rod through the centre fabric sleeve.



4. Slide the next form rod through one of the side sleeves as far as the first cutout. Insert a snap-hook strap and slide the rod through the strap, continuing along the sleeve as far as the next cutout. Repeat this procedure until all the snap-hook straps are in position.



5. Open the umbrella completely.
6. Hook all the straps into the eyelet screws of the gutter holders. Note that the rain gutter is cut conically. This allows you to determine the water course individually.
7. You can determine the decline
  - either: by adjusting the length of the snap-hook strap,
  - or: by shifting the gutter holders on the spoke.

## Removing the rain gutter



### Attention

**Although the umbrella may be closed, strong winds can move the spokes around. The rain gutter holders may then abrade the fabric.**

To avoid damage to the textile

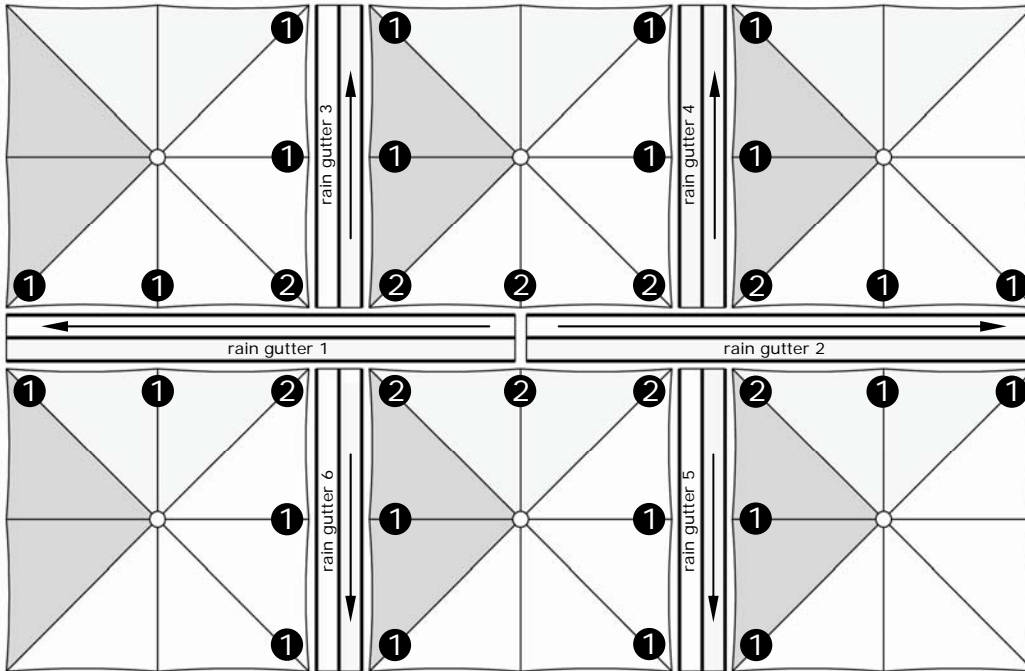
- pull the strap around the closed umbrella so tight that the spokes cannot move.

We recommend:

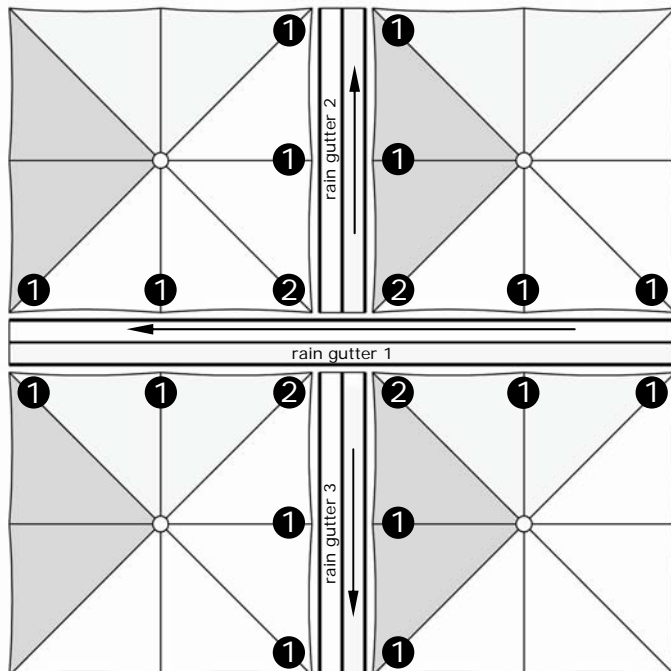
- Remove the rain gutter holders in the winter break.

## Allocation of the form rods

Group of 6 shades:



Quad:



Metal-stamped numbers (StNo.) on rain gutters

Gutter 1 - StNo \_\_\_\_\_

Gutter 2 - StNo \_\_\_\_\_

Gutter 3 - StNo \_\_\_\_\_

Gutter 4 - StNo \_\_\_\_\_

Gutter 5 - StNo \_\_\_\_\_

Gutter 6 - StNo \_\_\_\_\_

- ① rain gutter holder, with 1 eyelet screw
- ② rain gutter holder, with 2 eyelet screws
- ← direction of water course
- form rod