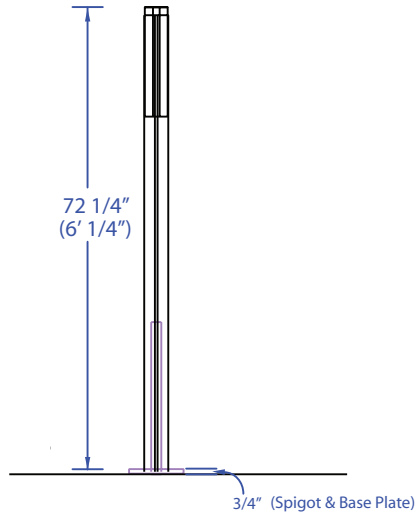


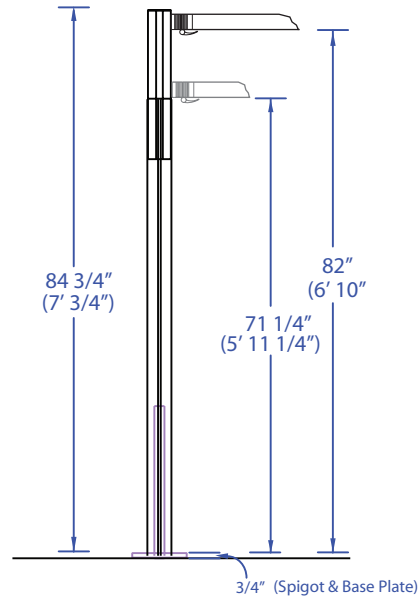
# Paraflex Telescopic Pole

## Pole Position #1:

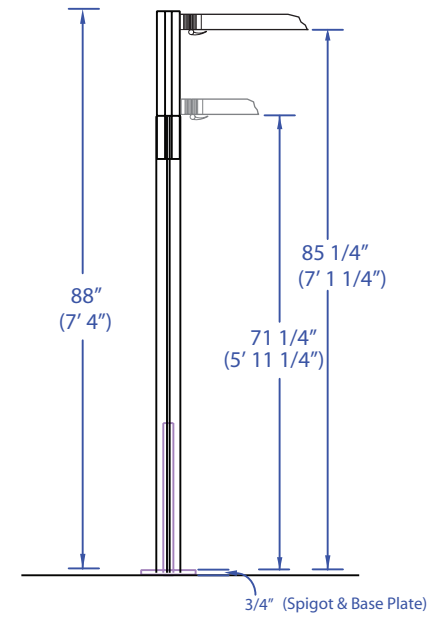
(Not usable--for shipping purposes only)



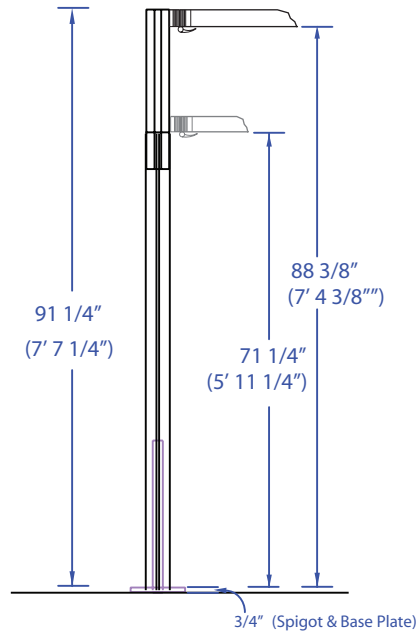
## Pole Position #2



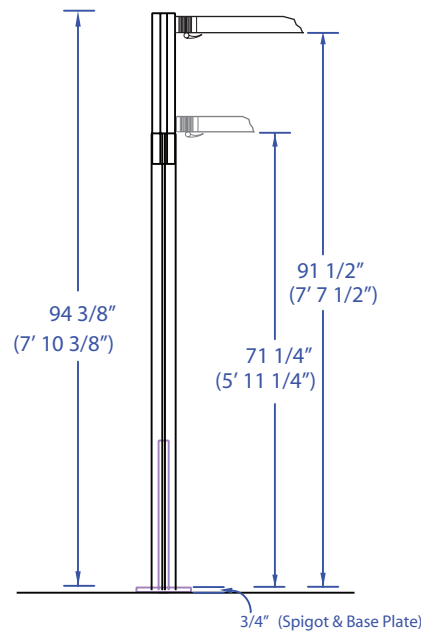
## Pole Position #3



## Pole Position #4



## Pole Position #5



### Diagram Notes:

This diagram illustrates the accommodating nature of the Paraflex Telescopic Pole. The Flexible Arm/Holder can be fixed at any position between the lowest point (5' 11 1/4") and the highest point (7' 10 3/8"). The dimensions given are for the bottom of the Flexible Arm/Holder. There will be minor differences in overall height depending on the mounting option used, see additional notes below.

1. As shown, add 3/4" to height dimensions when the Base Plate and Spigot are used (Deck Mount or Concrete Mount).
2. For In-ground Fitting and Wall Mount, dimensions are as noted because the bottom of the mast will be at ground level.
3. When considering how high to mount the Flexible Arm/Holder on the pole, keep in mind the dimensions shown for the canopy clearance on each individual spec sheet are based on (1) the Telescopic Pole locked in position #2 (86 5/8" or 7' 2 5/8"), and (2) the umbrella clamped below the bottom hub. In this position the umbrella can only be closed by removing it from the clamp.

If you prefer to close the umbrella while it is still clamped to the Flexible Arm/Holder, then it must be clamped above the bottom hub. This will lower the canopy clearance by approximately six inches (6").