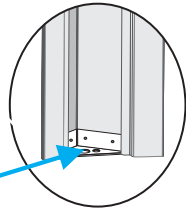
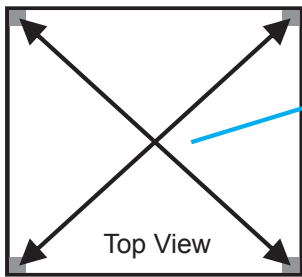
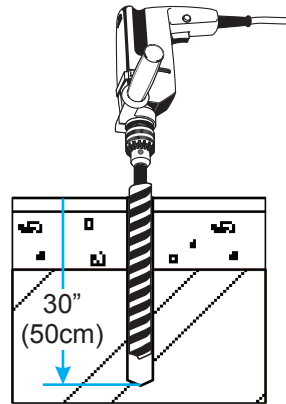


1



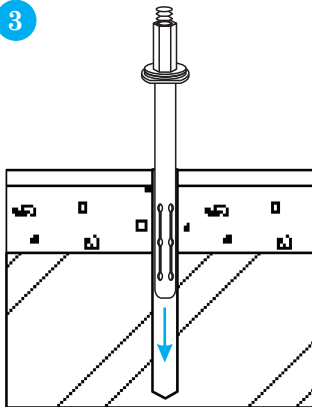
Position your assembled structure on the chosen location then mark the center of each corner plate.

2



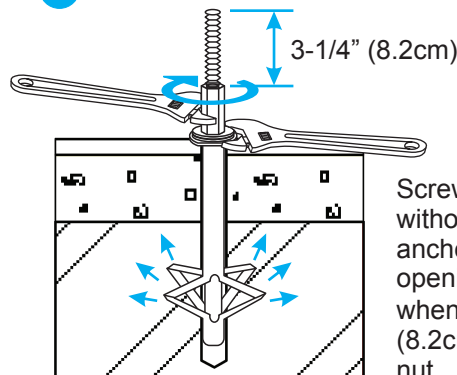
Drill a 1" x 30" (2.5cm x 50cm) hole at each marked location using a percussion drill with a diamond tip masonry drill bit.

3



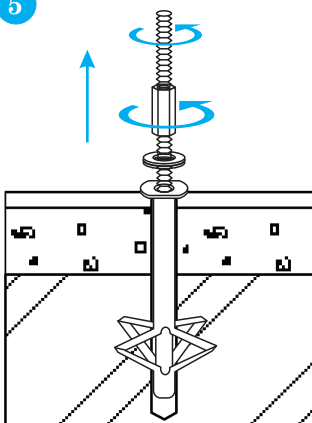
Insert the assembled anchor in the drilled hole.

4



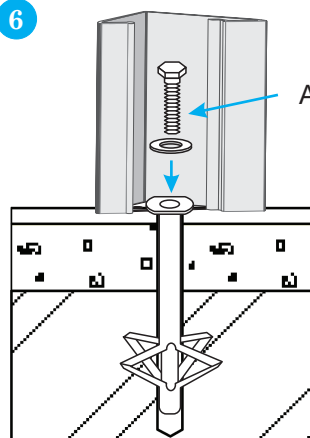
Screw in the coupling nut without turning the rod and anchor. The maximum opening of the anchor occurs when the rod extends 3-1/4" (8.2cm) above the coupling nut.

5



Unscrew the coupling nut and rod completely from the fixed anchor and remove the two washers.

6



Place the corner of the structure over the anchor and affix it using the supplied 1/2" bolts and washers. **Grease the threads of the bolt.**