





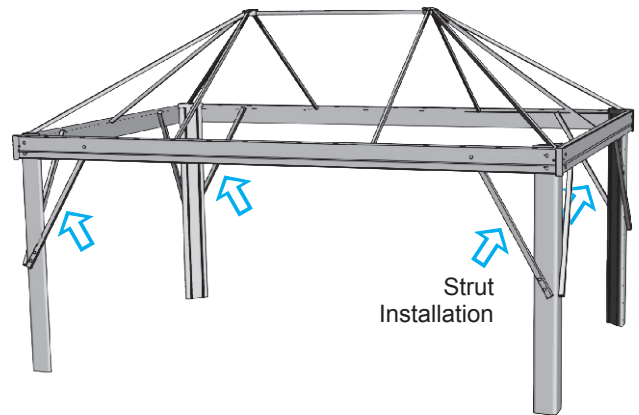


K.EX.BS.363/8-A Kit supplied with long beam structures

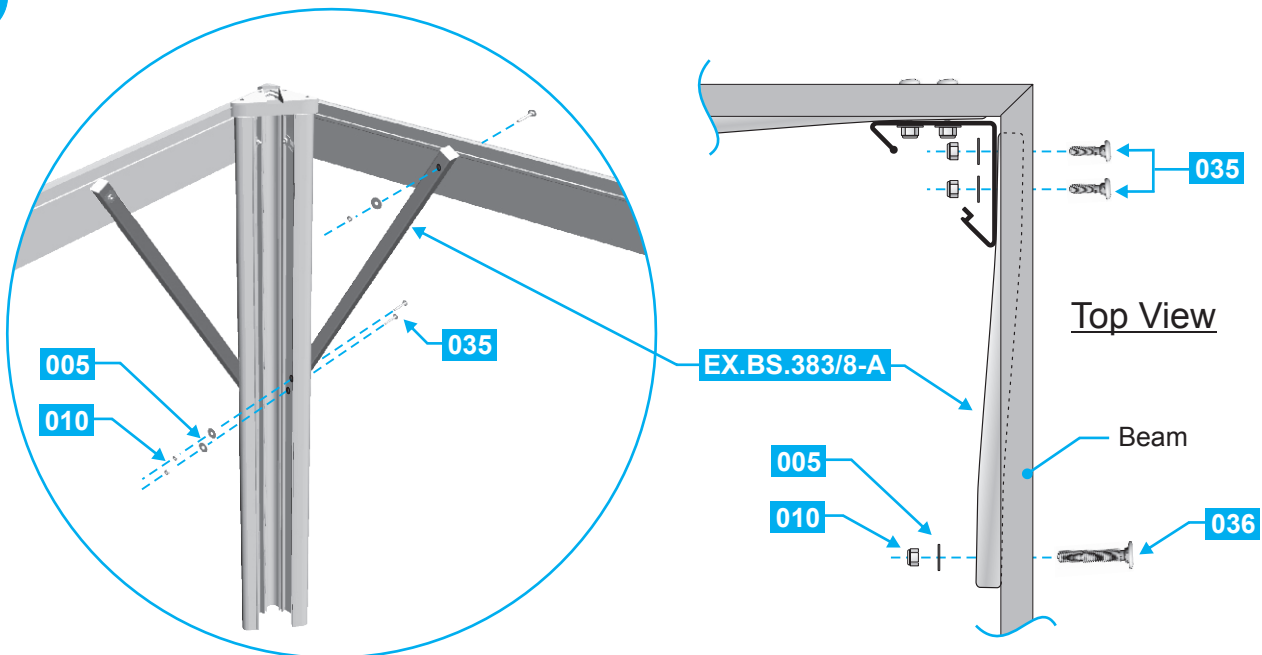
- 2x **EX.BS.383/8-A**  Strut Member
- 4x **PL013**  Brace End Caps (pre-installed on strut)
- 4x **035**  Carriage Bolt - 1/4" x 1-1/2"
- 6x **005**  9/32" x 5/8" Flat Washer
- 2x **036**  Carriage Bolt - 1/4" x 2-1/2"
- 6x **010**  Nylon Lock Nut - 1/4"-20

Instructions

This annex provides instructions on how to install the strut member. The struts provide additional support for the beams. Their installation is strongly advised for locations exposed to strong winds and for long beam members. Follow these instructions to complete the installation.



1



Install the strut on the structure using hardware shown in the diagrams above. Repeat steps on each corner.