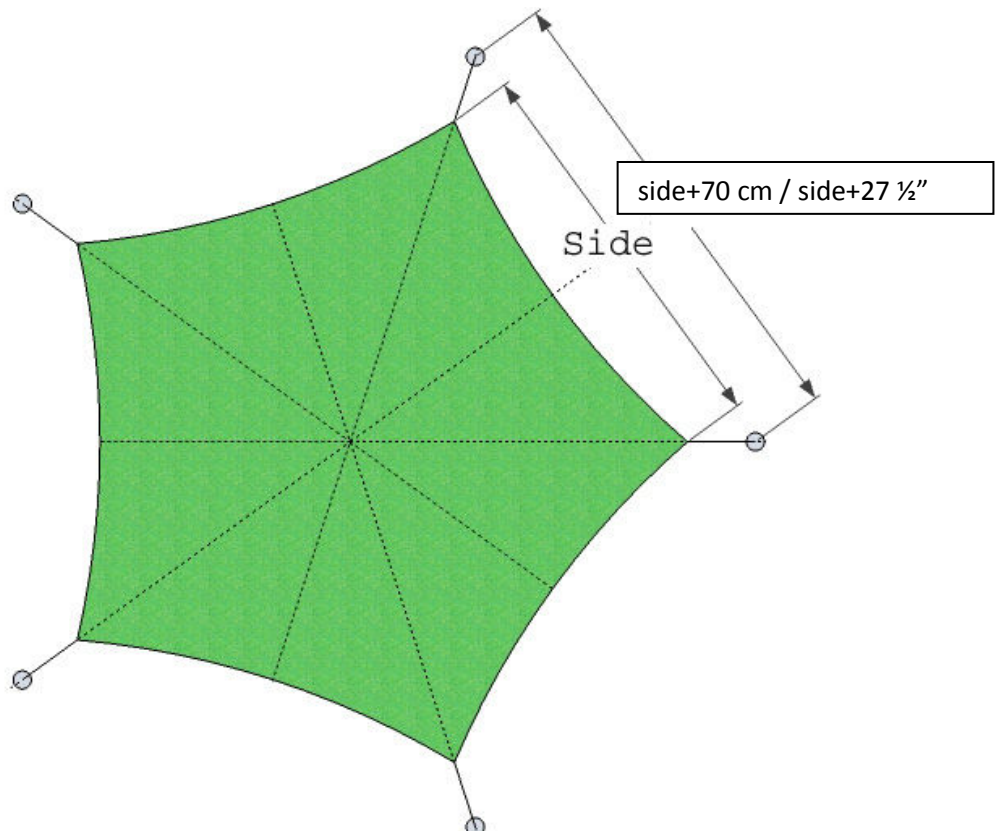
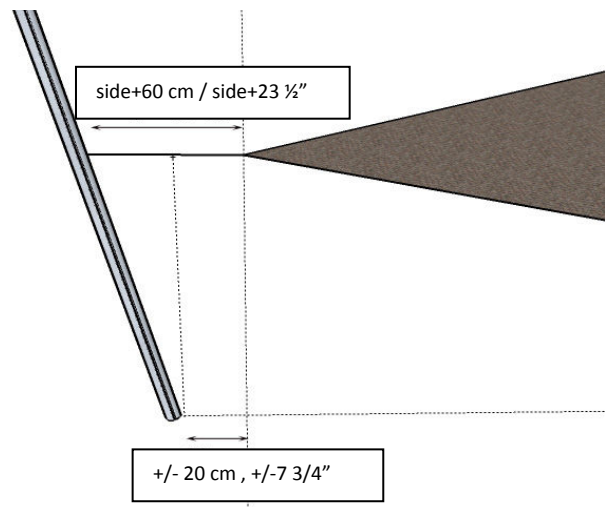


Penta 3,5

General rule:

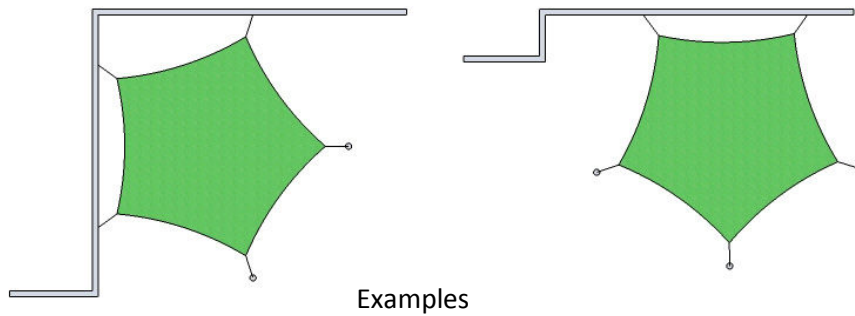


- Distance between poles or fixation points = side + 70 cm / side + 27 ½"
- Results in a useful rope length of 50 to 60 cm (19 2/3" – 23 ½") - distance between sail point and connection/mounting point
- Connection/mounting points that lie on the bisecting line (= imaginary line which divides the angle into two even parts: see dotted line)
- Important remark: if two sails are mounted to a pole, this pole should always be positioned in an angle of 90°.
- The poles cannot support more than two sails.



- If mounted on sloping poles (75°), the distance between the connection/mounting points can optionally be reduced to minimal side + 40 cm / side + 15 ¾".

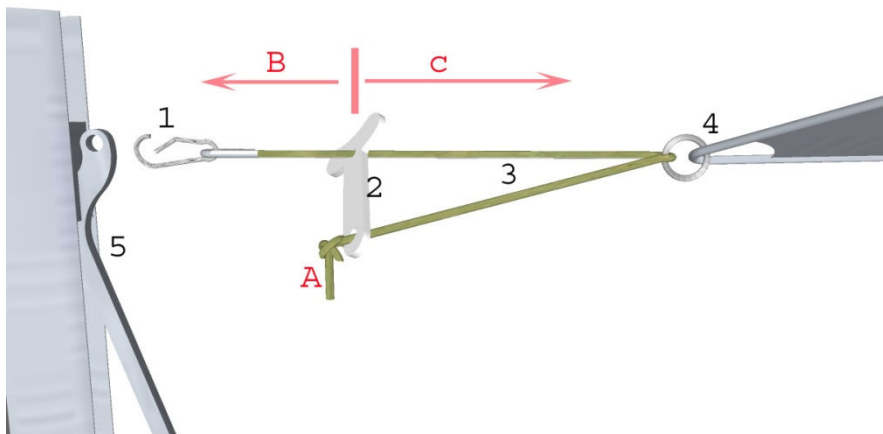
Particularly for mounting of one or more sail points to a fixed, solid wall



Examples

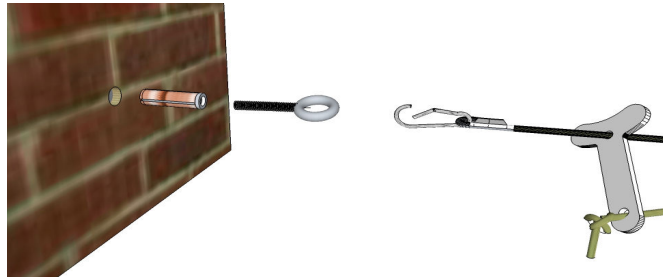
- Should existing constructions be used for the mounting of the sail, start by indicating one or two points, starting from the existing construction. Next, position an equilateral penta with the required side and also determine the bisecting lines.

Fixation and stretching of the sail to the 'Ingenua pole'

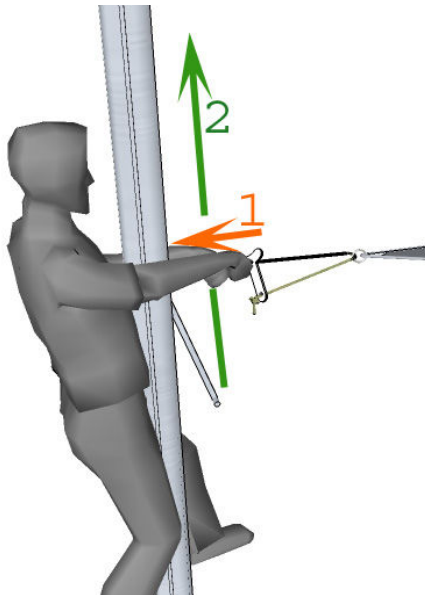


- | | |
|--------------------|---|
| 1. Bayonet hook | A. Shortening rope according to necessity |
| 2. Tightener | B. Stretching |
| 3. Tightening rope | C. Relaxing |
| 4. Hook shade sail | |
| 5. Sliding unit | |

Mounting and tensioning of the sail to a solid wall (e.g. bricks)



Tensioning of the sail in real life situations



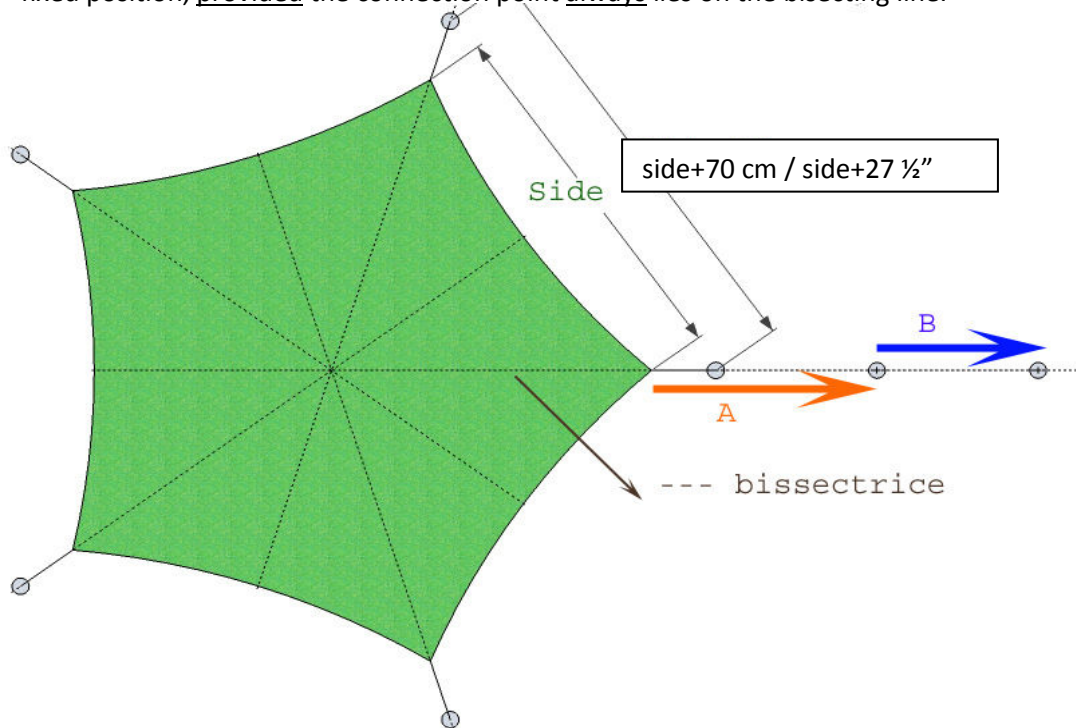
Tensioning of the sail:

1. If you have connection/mounting points on a wall, adjust the ropes to the desired length.
2. Next do the same with the poles.
3. If you are using only one angled (75 degree) pole, tighten the ropes on this pole last.
4. When doing the final tightening of the rope on an angled pole, tightening the rope at elbow height first is the easiest way because you have better leverage. Then, after tightening the rope by using the T-bone tightening device, raising the glide part will add additional tension very easily because the distance between the sail and the pole increases as you move up the pole.

Possible deviations for the position of the connection points

1.

- If required, one or more of the connection points can be shifted in relation to the initially fixed position, provided the connection point always lies on the bisecting line.



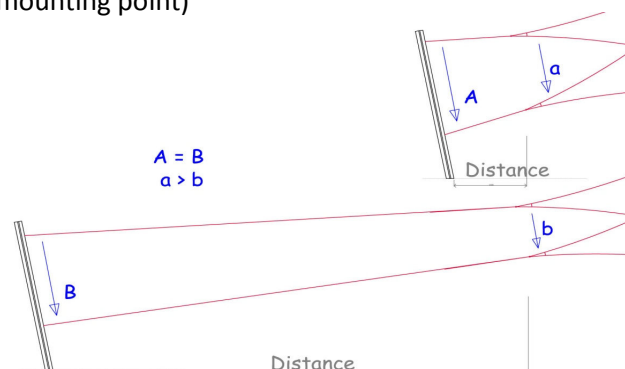
Length of the tightening rope = min. 50 to 60 cm (19 2/3" to 23 1/2")

A: can be extended up to 1.5 meters (59") with the rope that is a standard accessory (delivered length of rope = 2 meters (78 3/4") - {min} return rope for rope tightener

B: can be extended further with extra rope if required

Can be useful if the pole needs to be mounted just outside the hardened patio surface.

- **Attention:** The longer the rope, the less wind resistant it will be (flapping of the sail due to the wind) and the less possibility of adjusting the height (because of the distance from sail point to connection/mounting point)



2.

- For each sail, only one sail point can be coupled directly to a connection point without rope.
On this condition the remaining sail points can be brought under tension by means of a rope.

