

## Installation instructions DMZ261 (Dowel-anchored plate for types Mezzo, Dacapo and Filius)

The following instructions include all information necessary for the installation and operation of this anchor plate. To avoid any misunderstanding we advise you to read these instructions carefully and then keep them for later reference.



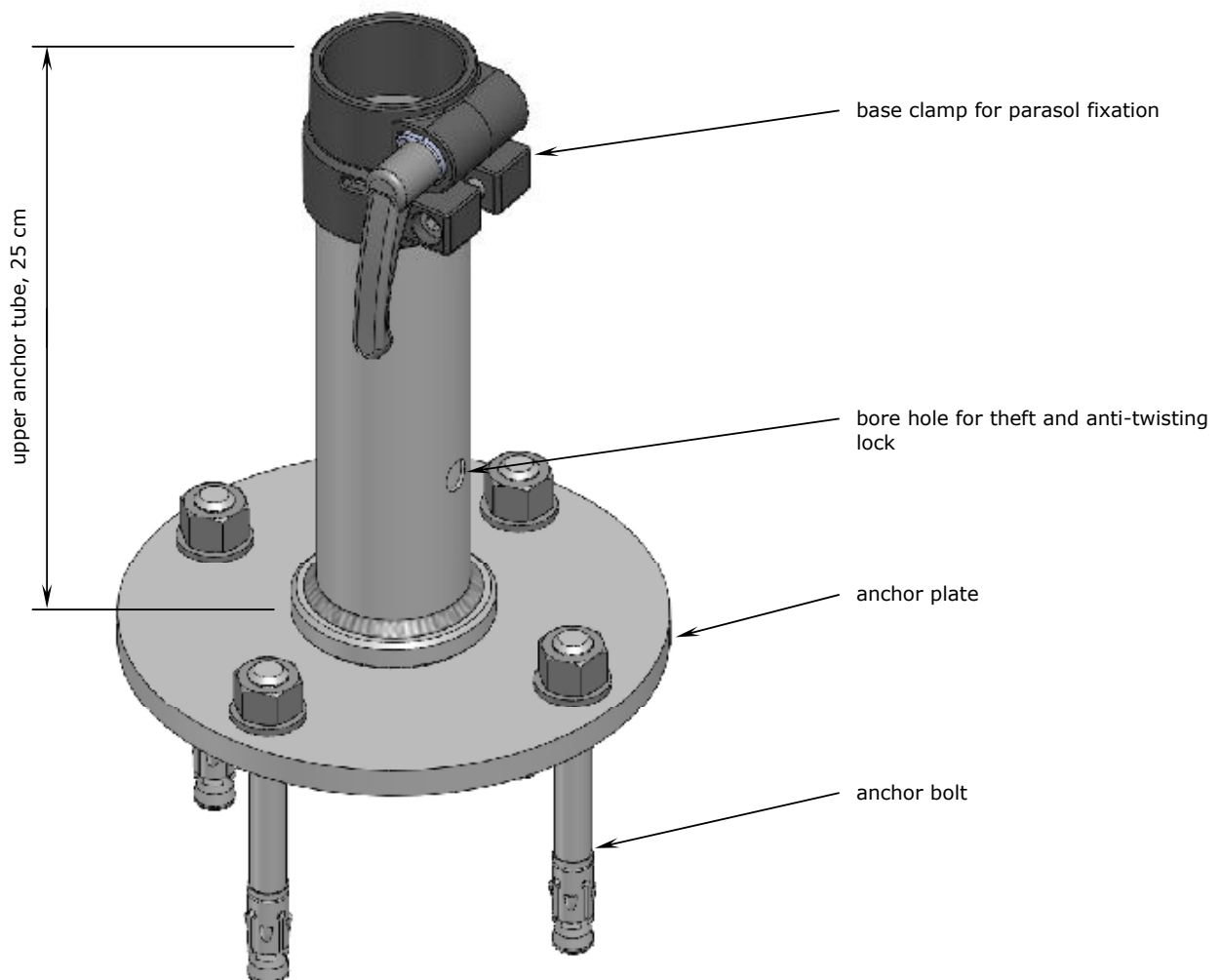
Caution

**Non- observation of operating instructions can result in personal injuries or damage to property!**

Please note that if these instructions are not observed, the manufacturer cannot assume any liability or guarantee.

- Always follow the safety regulations.
- Should you not understand any part of these operating instructions, please contact your MAY dealer.

### Diagram showing installation materials



## Determining the location for the foundation

1. Allow sufficient space between sunshades or between the wall of the house and the sunshade.



Caution

### Sunshades that are located too close together wear sooner!

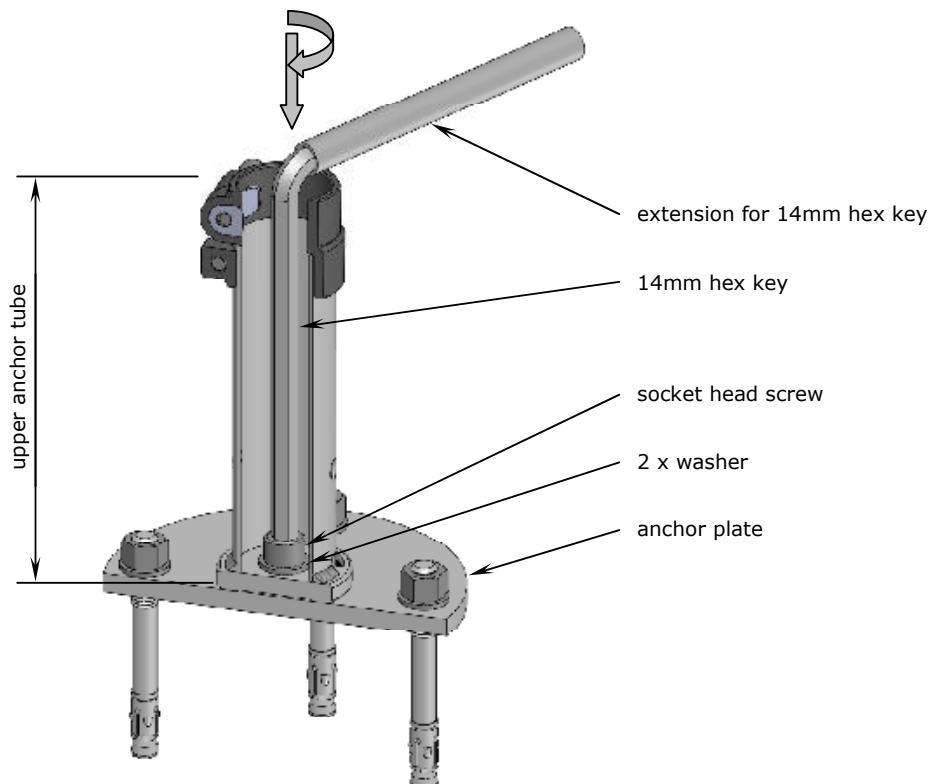
Sunshades may sway slightly. If there is not enough space between them, they may touch and abrade or scour the canopy fabric at the spoke ends.

- Make sure that there is a clearance of approx. 15 - 20cm between the sunshades (or between sunshade and the wall of the house).

2. We would like to stress that uneven patios are no problem for us. We are able to compensate any unevenness of the ground by adjusting the height of each individual sunshade. Extra- length upper anchor tubes are available at 10cm gradation and can be adjusted and accommodated on location.

## Fixing the anchor plate

1. Screw the upper anchor tube onto the anchor plate (cf. illus.). Slip the 16mm serrated lock washer on the M16x30mm socket head screw and tighten, using the enclosed 14mm hex key and extension.





Caution

### Screws that are not tightened correctly will work loose!

If screws are not tightened firmly enough, there will not be sufficient tensile force to trigger self-locking. If the screws are tightened too firmly and over-stressed, the screw connection may slacken.

- Tighten the screw manually using the enclosed hex key and extension. Exert as much force as possible. With the enclosed tools there is virtually no risk of over-stressing.
- The correct torque for a torque wrench is 210 Nm.

2. If not already there, lay a concrete foundation measuring min. 60 x 60 cm. The depth of the foundation will depend on how sensitive the ground is to frost. We recommend a depth of at least 60 cm.



Danger

### A falling sunshade can cause serious or even fatal injury!

If the foundation is not dimensioned to match the size of the umbrella, the sunshade may fall and cause injuries.

- Keep to the dimensions specified above.
- In case of poor-quality soil, opt for a larger-size foundation (from soil class 4: medium-textured soil, sand-gravel-silt-clay mixture acc. to DIN 18300).



Caution

### The concrete foundation can be damaged by frost.

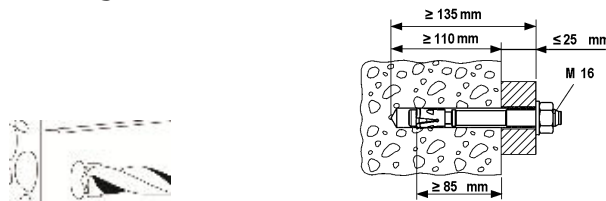
Temperatures below freezing point may have a negative impact on the concrete foundation.

- Inquire up to what depth the ground of the designated sunshade location is frost-proof and choose the size of the concrete foundation accordingly.

3. Screw the anchor plate onto the foundation. If you use anchor bolts provided by other manufacturers, please observe their instructions. Anchor bolts supplied by MAY should be mounted as follows:

Order No. 200900, threaded bolt with nut, stainless steel A4:

- Using a 16 mm hammer drill, drill a min. 110 mm-deep hole into the concrete.



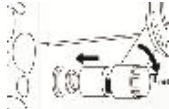
- Clean the bore hole with compressed air.



- Drive the anchor bolt into the hole. Before doing so, be sure to position the hex nut correctly. (The drive-in pin of the threaded bolt should jut out of the hex nut approx. 2 - 3 mm.)



- Use a torque wrench to tighten the nut with 110 nm.



**Danger**

---

**A falling sunshade can cause serious or even fatal injury!**

If the dimensions of the anchor bolts do not match the size of the umbrella, the sunshade may fall and cause injuries.

- Always determine the appropriate bolt size with the help of a specialist.
  - Anchor bolts of May company are approved for cracked and non-cracked concrete C20/25 to C50/60. Also suitable for concrete C12/15 and natural stone with dense structure.
- 

4. Check that the anchor plate is straight, using a spirit level. (cf. illus.)



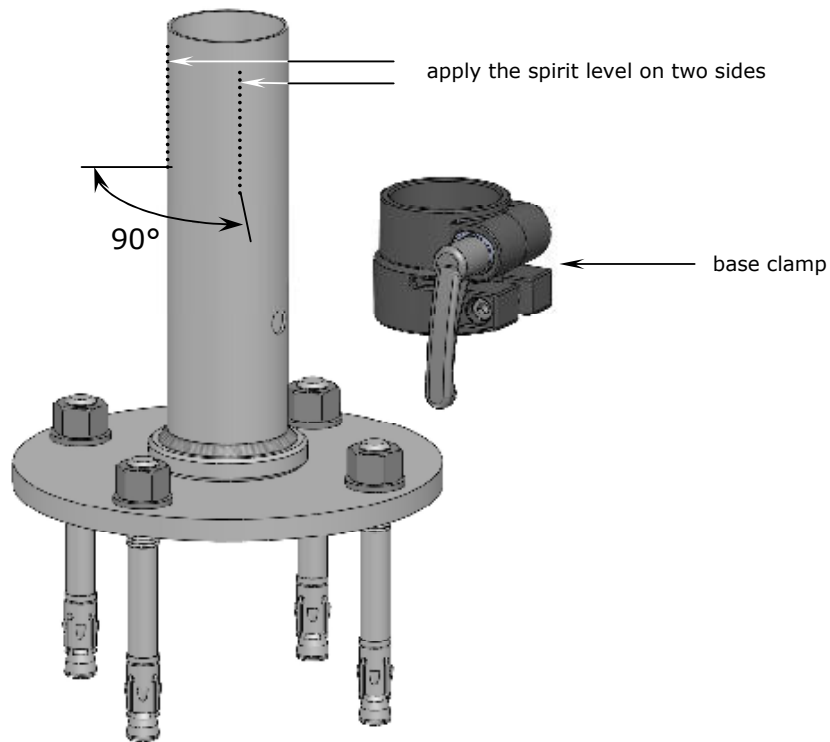
**Caution**

---

**If the sunshade is to be in a vertical position, the anchor plate must be embedded in the concrete absolutely vertically.**

If necessary, align the anchor tube with the help of washers.

- Remove the base clamp on the upper anchor tube.
  - Apply the spirit level on two sides.
-



## Storage / Dismounting

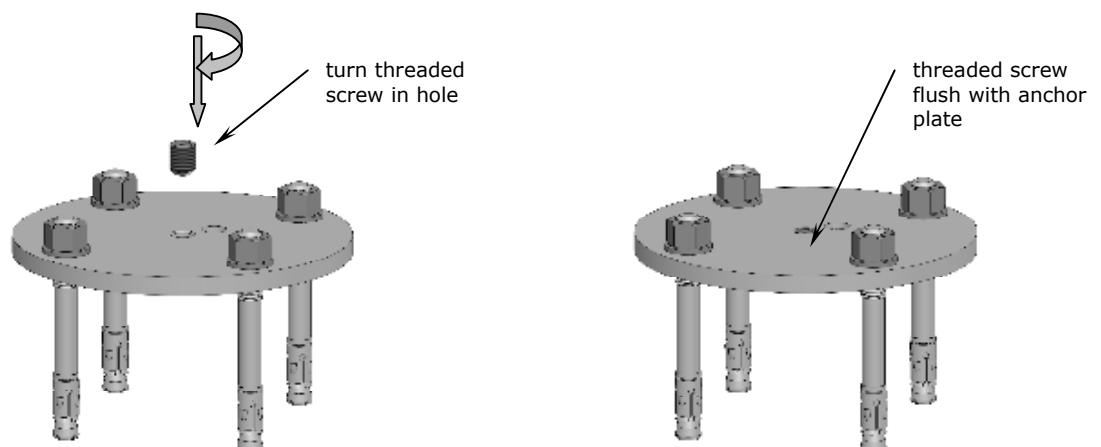
1. Lift the sunshade out of the anchor tube.
2. Screw off the upper anchor tube.
3. Turn the enclosed threaded screw into the bore hole, so that it is flush with the anchor plate. (cf. illus.)



**Caution**

### The thread can get damaged!

If the top plate is not on the anchor tube, sand may get washed into the flanks of the thread. As sand is harder than steel, the thread may get damaged when the screw is turned.





4. If you have two or more sunshades, it is advisable to mark them and their accessories (e.g. with metal-stamped numerals or using a waterproof marker) as soon as they have been dismantled (e.g. for winter storage).

---

**Marking saves a lot of time and helps to keep things in order!**

**Tip**

If clearly marked, each sunshade can easily be assigned to its proper location and re-erected parallel to the wall of the house or next to the others.

- For clear and easy later assignment use the same number to mark the centre pole, the upper anchor tube and the lower anchor tube. For example, for sunshade No. 1, all three parts should carry number 1, all three parts of sunshade No. 2 should be marked with a 2, etc.
- 

5. Grease the screws regularly to prevent them from rusting.