

FILIUS SCHATTELLO ALBATROS installation instructions: side sheets

Thank you very much for purchasing a MAY sunshade.

The following instructions include all information necessary for the correct mounting and handling of your MAY sunshade side sheets. For safety reasons, please read these instructions carefully and then keep them for later reference.



Attention

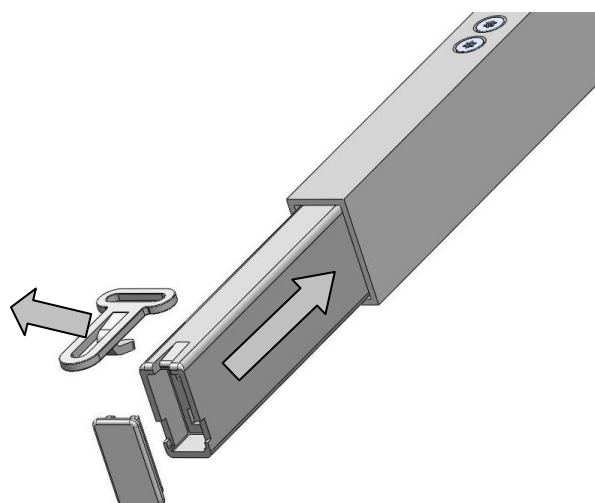
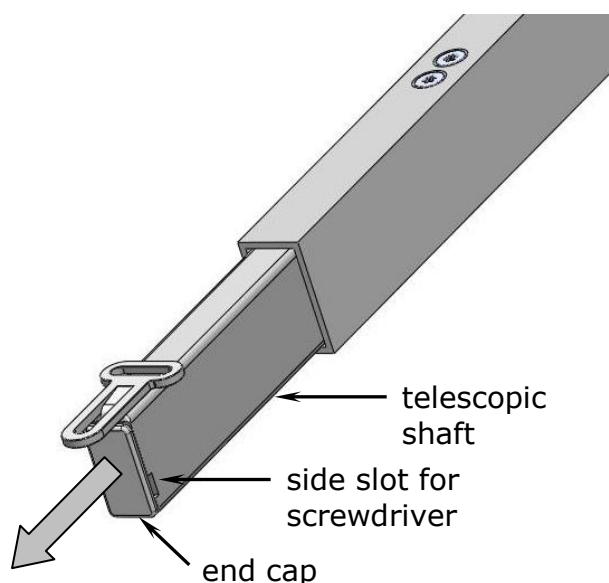
Non-observation of operating instructions can result in damage to property.

Please note that if these instructions are not observed, the manufacturer cannot assume any liability or guarantee.

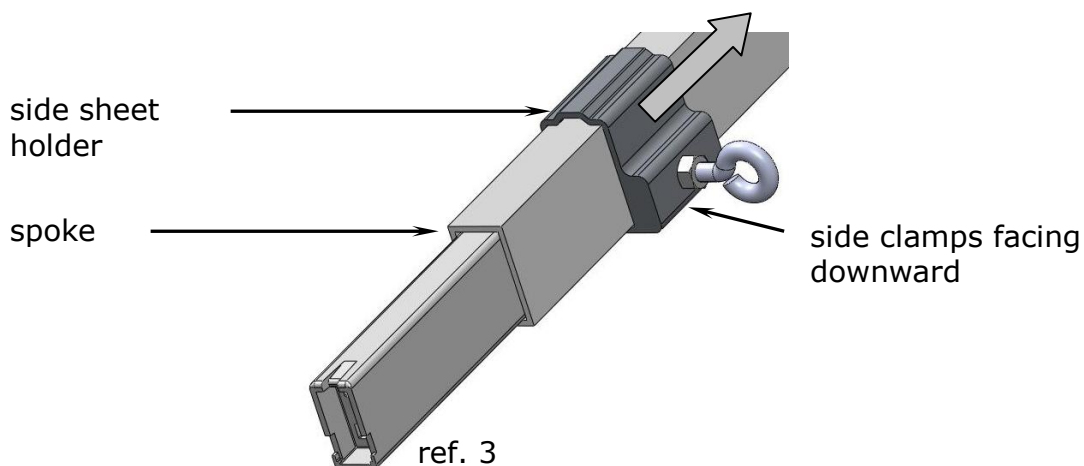
- Always follow the safety regulations.
- Should you not understand any part of these mounting instructions, please contact your MAY dealer.

Mounting the side sheet holder

1. Open the umbrella about halfway.
2. Remove the canopy tensioning hook from the telescopic shaft of the spoke. In order to do so, insert the tip of a screwdriver into the side slot and push off the end cap. Then press the telescopic shaft toward the centre mast and pull the hook outward.



3. Slide the side sheet holder along the spoke to the required position. Make sure that the side clamps of the holder are facing downward.



If the side clamps are mounted wrong way round, the canopy fabric can get scoured. No liability.

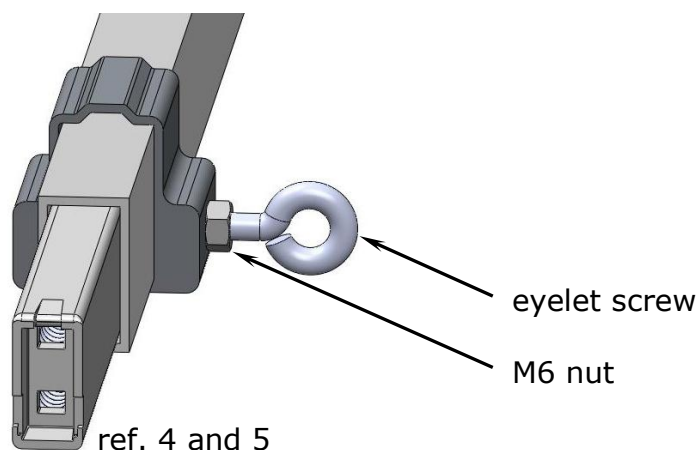
Attention

A wrongly mounted holder will, in the course of time, damage the fabric.

- The side clamps of the side sheet holder must face the ground.

4. Turn the eyelet screw clockwise until the holder is clamped tight on the spoke.

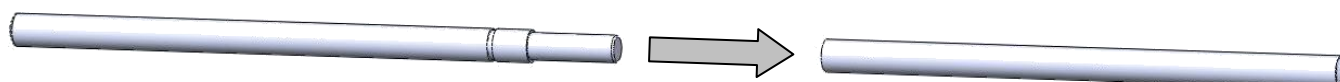
5. Tighten the M6 nut clockwise, so that the eyelet screw cannot become loose.



6. Hook the tensioning hook back onto the telescopic shaft and press the cap back on. If the cap doesn't fit properly, just turn it the other way round.

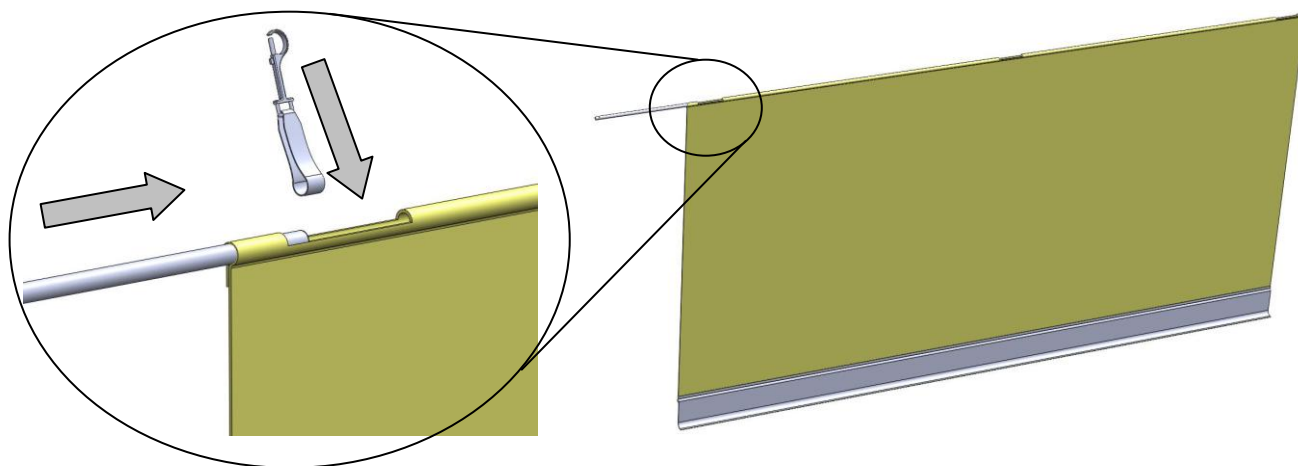
Connecting the form rods

1. Extra long rods are fitted into each other as shown below.

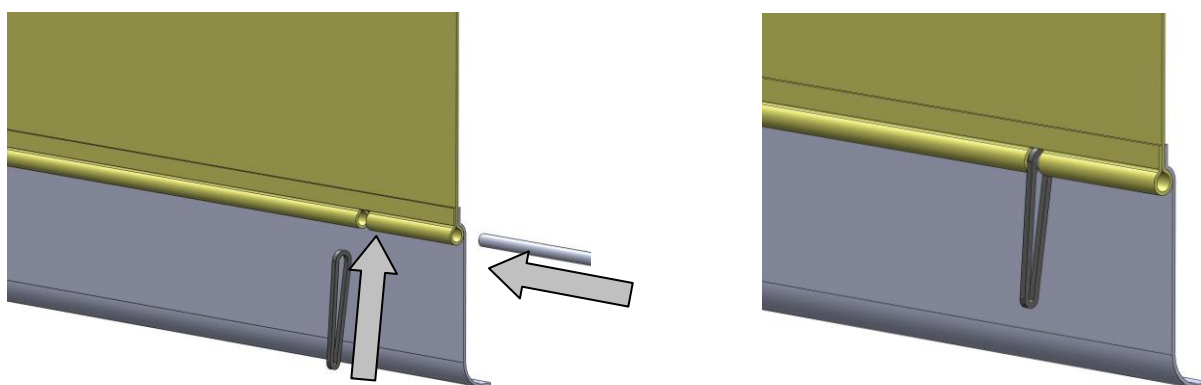


Mounting the side sheets

1. Place the side sheet fabric on a clean surface so that it doesn't get soiled or damaged.
2. Slide the first rod through the top sleeve as far as the first cutout. Then insert a snap-hook strap and slide the rod through the strap, continuing along the sleeve as far as the next cutout. Repeat this procedure until all the snap-hook straps are in position.



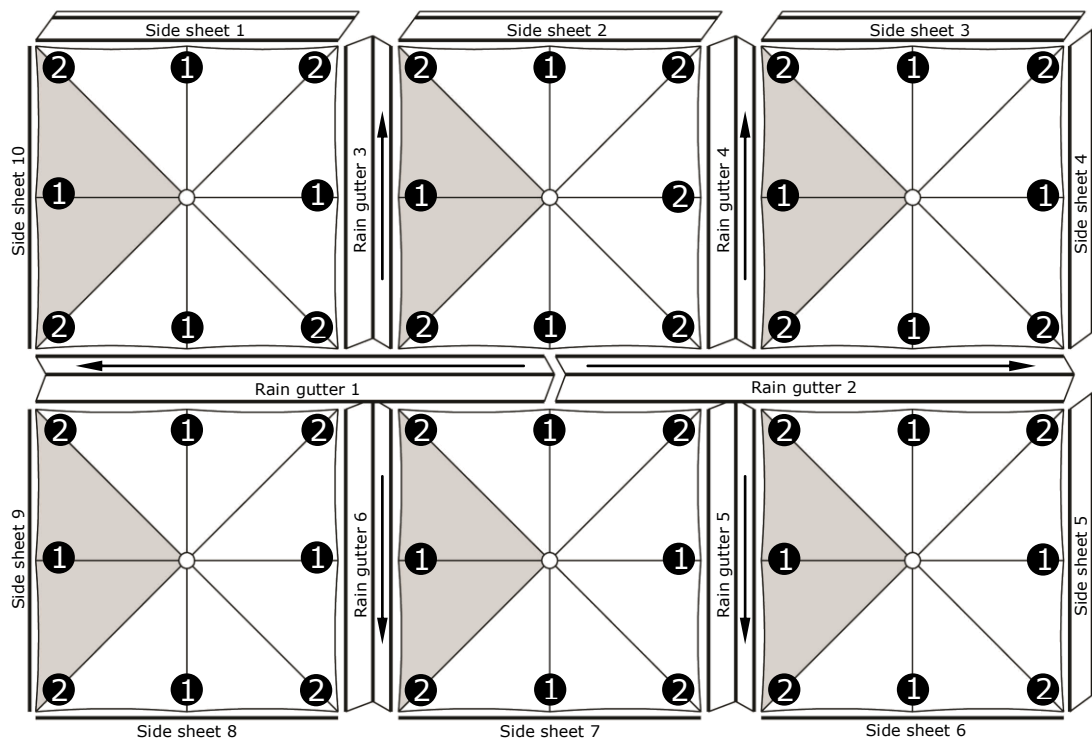
3. Hook all the straps into the eyelet screws of the side sheet holders.
4. Slide the next rod through the bottom sleeve. Then insert a ground anchoring elastic band and continue sliding the rod as far as the next sleeve. Repeat this procedure until all elastic bands are in position.



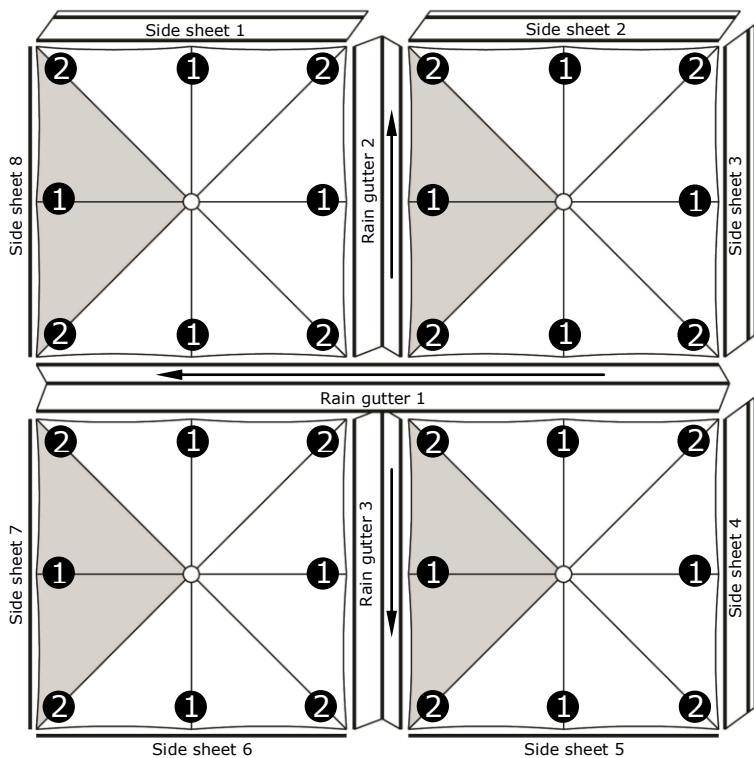
5. Open the umbrella completely.
6. In windy weather the side sheets can be kept in position by fastening the elastic bands with a ground anchor. However, avoid fastening too tight. Too much tension on the spokes could make the umbrella unstable.

Allocation of the form rods

Group of 6 shades, Side sheets with rain gutters:



Quad, Side sheets with rain gutters.



Metal-stamped numbers (StNo.) on side sheets

Side sheet 1 - StNo _____

Side sheet 2 - StNo _____

Side sheet 3 - StNo _____

Side sheet 4 - StNo _____

Side sheet 5 - StNo _____

Side sheet 6 - StNo _____

Side sheet 7 - StNo _____

Side sheet 8 - StNo _____

Side sheet 9 - StNo _____

Side sheet 10 - StNo _____

- 1** side sheet holder, with 1 eyelet screw
- 2** side sheet holder, with 2 eyelet screws
- ← direction of water course
- form rod