

Summer, Sun – MAY

DACAPO – Operating Manual





## WARRANTY

**A 24 months warranty** is granted on this umbrella, including all operational parts. Warranty does not cover damage from improper use, strong winds or rust film on spoke joints.



## A good choice

By purchasing a DACAPO, you have opted for a MAY side-post umbrella of premium quality.

Our umbrellas are all manufactured and adjusted with high-quality workmanship and special care. Strict final inspection ensures absolute reliability.

For long-lasting pleasure with your DACAPO we advise you to observe the following points...





We are sure your DACAPO will always cut a fine figure.



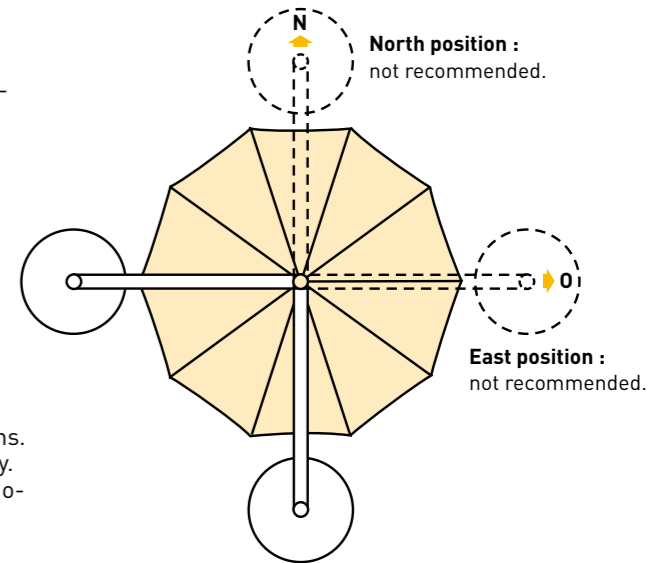
## Correct location of pole and bed

For maximum shade all day long, we recommend positioning the pole as described in the illustration opposite.



**Attention!**  
No warranty for damage caused by strong wind.

**Please note:** Your DACAPO umbrella is not designed for comprehensive protection in severe weather conditions. When strong winds arise, close the umbrella immediately. If located in an exposed area, (upwinds, slope, etc.) additional pedestal weight may be required.



# Preparing the umbrella for use



**9 Closure:**  
When closing the umbrella, tie the strap in the form of an eight around the canopy and the frame poles. Thus scouring the fabric can be avoided. (No warranty)



We cannot assume any liability for damage due to improper opening and closing of the umbrella.

**1 Rotation adjustment (360°):**

Loosen lower clamping lever. Rotate umbrella in position of your choice. Tighten lower clamping lever.

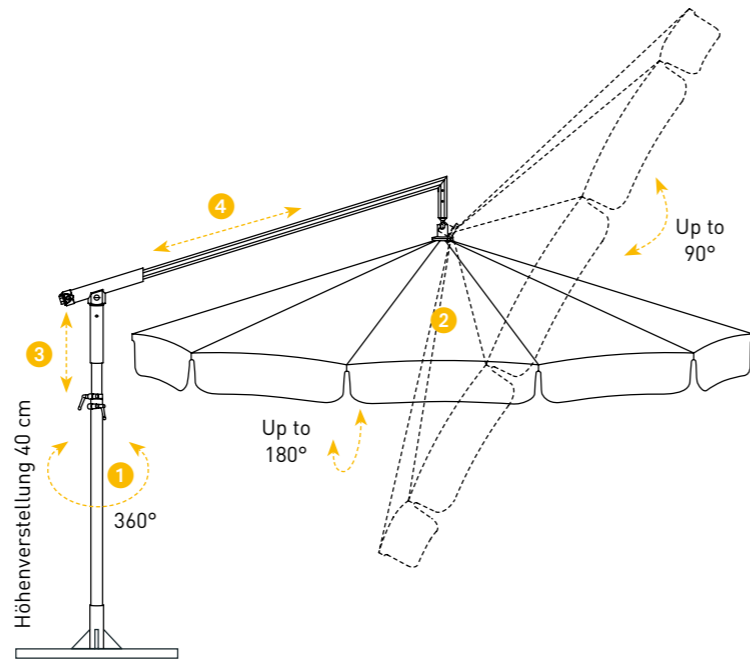
**2 Tilting of ball joint (up to 90°/180°):**

Put knob through tubing and swing it up 90°. Put canopy in position of your choice. Tighten knob in clockwise direction. May require a nudge.

**3 Height adjustment (Hub 40 cm):**

Loosen upper clamping lever. Raise umbrella to position of your choice. Tighten upper clamping lever.

**4** In case cross arm sticks, a thin coat of silicon may be applied.



# Operating the umbrella



DG, DACAPO standard version



DK, DACAPO with crank



Ball joint

Ergonomic operating elements make it child's play to handle DACAPO.



### Canopy

All our awning fabrics are made of high-quality materials. They are light-resistant, colourfast and extremely robust. A special finishing process also makes the fabrics water repellent, oil and grease resistant as well as resistant to emissions and pollution.

However, as with any textiles, minimal colour deviation, slight pilling or differences in thread thickness are unavoidable. Colour pigments in the thread and impregnation can appear as white stripes in fabric creases.

Accordingly, in our conditions of sale and delivery we have taken into account the so-called "No-fault catalogue" published

by the German institution responsible for industrial fabrics (Bundesverband Kunststoff- und Schwergewebekonfektion e.V. Düsseldorf).

### Cleaning the canopy

Clean canopy with a soft brush or with a high pressure hose (max. 30°C/ 303 K/ 86 °F, max. 30 bar, min. distance 30 cm/ 12 inch). For persistent dirt, add soap and rinse well. Make sure that afterwards all soap is washed off.

### Changing canopy

Take off spoke system. Take allen wrench (size 6) and unscrew 3 rotations. To disconnect the cone you might have to tap with a hammer on the top of the allen wrench. Unscrew till the spoke system is loosen.

## Maintenance



**Attention:** Don't let the spoke system drop off. Catch it in your hands.



Do not put the protective sleeve on wet umbrella.

### Cleaning the metal parts

Dirt stains on aluminium parts can be removed with a polishing abrasive. As the spokes are made of spring steel, they may rust slightly. Use a deruster to remove the rust film. All other parts of your MEZZO umbrella are maintenance-free. If spokes get damaged, they can easily be screwed off and replaced individually.

### Winter storage

Make sure the umbrella is completely dry before winter storage. Store the umbrella in a place where mice etc. will not get at it.