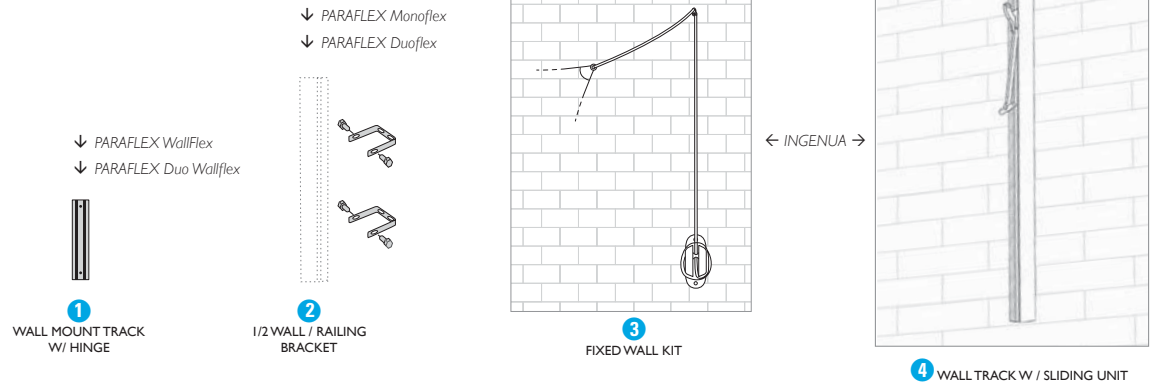


Umbrosa Mounting Options

Wall Mount Options

- 1 Wall Mount Track (included with Wallflex & Duo Wallflex)
- 2 1/2 Wall / Railing Bracket
- 3 Fixed Wall Kit
- 4 Wall Track w/ Sliding Unit

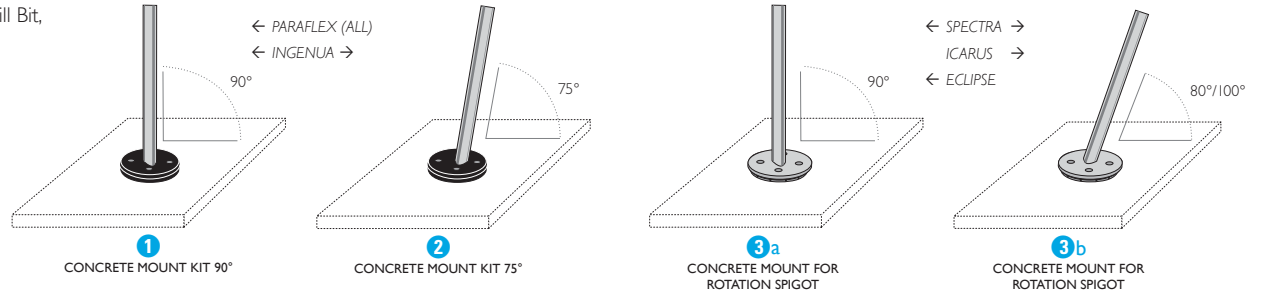


Concrete Mount Kits

All kits include Base Plate, 4 Concrete Bolts, 4 Spigot Bolts, 1 Concrete Drill Bit, 1 Allen Wrench

- 1 2 Shown with Paraflex/Ingenua Spigot mounted to Base Plate
Spigot packaged with Paraflex/Ingenua Concrete Mount Kit
- 3 a 3 b Shown with Rotation Spigot mounted to Base Plate
Rotation Spigot packaged with Spectra, Icarus & Eclipse

Base Plate is bolted to concrete using 4 Concrete Bolts.
Spigot consists of square tube welded to plate.
Spigot plate is mounted to Base Plate or Rotation Spigot using 4 Spigot Bolts.

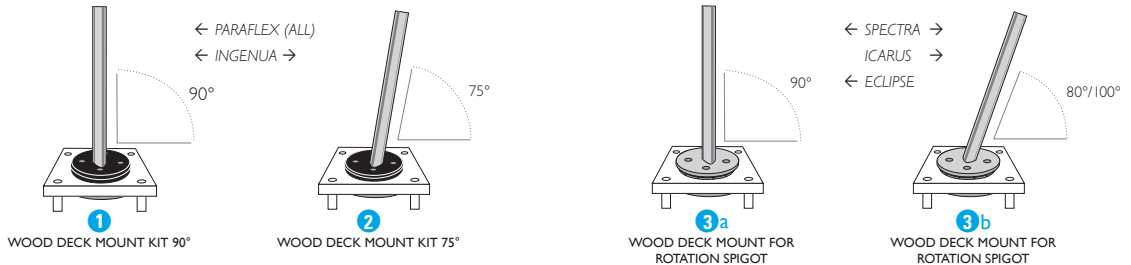


Wood Deck Mount Kits

All kits include 2 Base Plates, 4 Machine Bolts, 4 Spigot Bolts, 8 Wood Deck Screws, 1 Allen Wrench

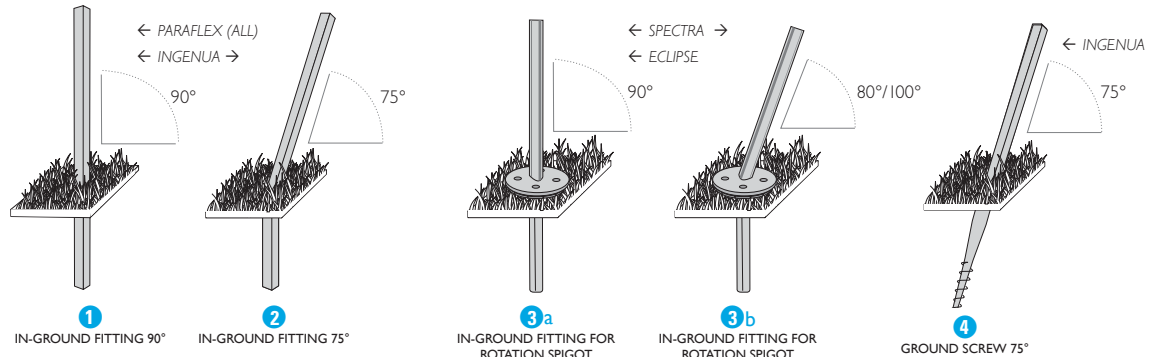
- 1 2 Shown with Paraflex/Ingenua Spigot mounted to top Base Plate
Spigot packaged with Paraflex/Ingenua Concrete Mount Kit
- 3 a 3 b Shown with Rotation Spigot mounted to top Base Plate
Rotation Spigot packaged with Spectra, Icarus & Eclipse

Top Base Plate is bolted to below deck Base Plate using 4 Machine Bolts.
Spigot consists of square tube welded to plate.
Spigot plate is mounted to top Base Plate using 4 Spigot Bolts.



In-Ground Fittings

- 1 2 In-Ground Fitting 90°/75° (3 piece)
Includes In-Ground Sleeve, Upper Spigot & Topcap
Topcap not shown – used to cover In-Ground Sleeve when Spigot is removed
- 3 a 3 b In-Ground Fitting for Rotation Spigot (1 piece)
Shown w/ Rotation Spigot mounted to top plate
of In-Ground Fitting. Rotation Spigot packaged with
Spectra, Icarus and Eclipse
- 4 Ground Screw 75° (2 piece)
Includes Lower Screw & Upper Spigot



See page 2 for detailed mounting component specifications. Visit web pages or CD Rom for actual mount photographs.

Distributed by ShadeScapes Americas – 970.527.7070 – umbrosa.shadescapesamericas.com – 12.05.12

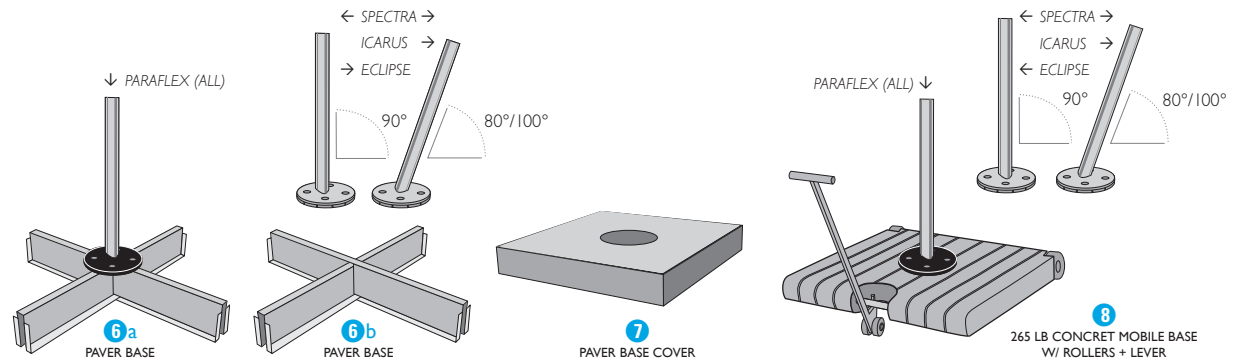
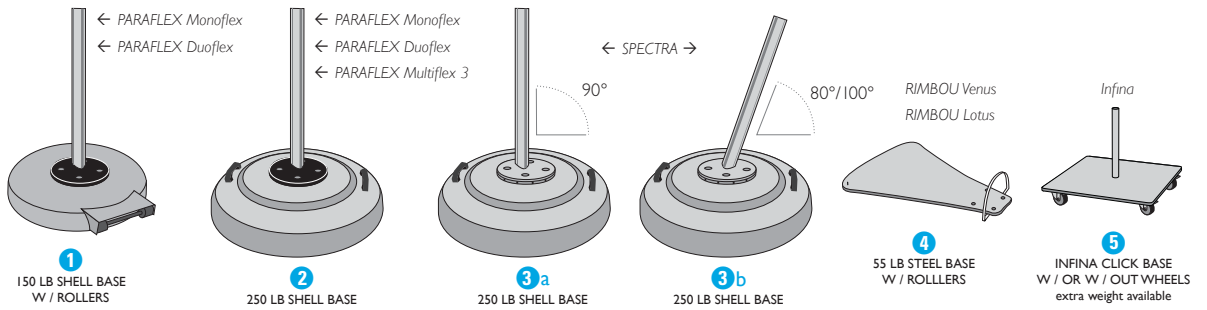
Free-Standing Bases

- 1** 150 LB Shell Base w/ Rollers
Shown with Paraflex Spigot mounted to 150 LB Base
Paraflex Spigot packaged with Paraflex Shell Base Kit
Fill on site with 150 lbs of concrete
- 2** **3 a** 250 LB Shell Base
3 b Shown with Paraflex Spigot mounted to 250 LB Base
Paraflex Spigot packaged with Paraflex Shell Base Kit
3a & 3b – Shown with Rotation Spigot options mounted to base
Rotation Spigot packaged with Spectra
Fill on site with 250 lbs of concrete
- 4** 55 LB Base w/ Rollers
- 5** Infina Click Base (w/ or w/out wheels)

NOTE: 150 and 250 lb Shell Bases may also be ordered filled with concrete.
Longer lead time and additional shipping costs will apply.

- 6 a** **6 b** Paver Base, requires (8) 16" x 16" x 2" pavers, not included
6a – Shown with Paraflex Spigot mounted to Paver Base
6b – Shown with Rotation Spigot options
- 7** Paver Base Cover
Paver Base may be used with or without cover
- 8** 265 LB Concrete Mobile Base w/ Rollers + Lever
Shown with Paraflex & Rotation Spigot options

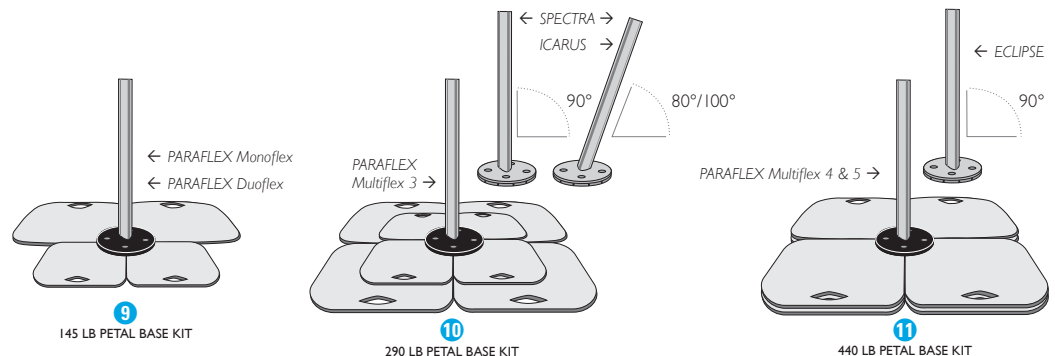
Paraflex Spigot and Spigot Bolts packaged with Paraflex Free-Standing Base Kits.
Rotation Spigot and Spigot Bolts packaged with Spectra, Icarus & Eclipse.



Petal Base Kits

- 9** 145 LB Petal Base Kit includes 2 small + 2 large Petal Bases, 4 Spigot Bolts
Shown with Paraflex Spigot mounted to Petal Base
- 10** 290 LB Petal Base Kit includes 4 small + 4 large Petal Bases, 4 Spigot Bolts
- 11** 440 LB Petal Base Kit includes 8 large plates, 4 Spigot Bolts

290 and 440 LB Petal Bases shown with Paraflex Spigot mounted to Petal Base.
- Paraflex Spigot packaged with Paraflex Petal Base Kit.
Also shown with Rotation Spigot options for Spectra, Icarus & Eclipse.
- Rotation Spigot packaged with Spectra, Icarus & Eclipse.



DETAILED SPECIFICATIONS (INSTALLED) – all measurements are Length x Width X Depth

Paraflex Wall Mount Track:	Anodized aluminum (13-1/2" x 3-1/2" x 1-1/4")
Paraflex 1/2 Wall / Railing Bracket:	Set of 2 stainless steel brackets/hardware (5-5/16" x 4-5/16" x 13/16")
Ingenua Fixed Wall Kit:	Stainless steel eyebolt, pulley & cleat
Ingenua Wall Track:	Anodized aluminum track (5'5" x 3-3/8" x 1-1/4") & stainless steel sliding unit
Base Plate:	Black powder-coated steel (8-1/2" Rnd x 5/16")
Paraflex / Ingenua Spigot:	Black powder-coated galvanized steel (19-1/2" x 10-1/2" x 3/8")
Rotation Spigot:	Galvanized steel (19-1/2" x 10-1/2" x 3/8")
In-Ground Fitting 90°/75°:	3 piece galvanized steel In-Ground Sleeve (15-3/4" x 1-3/4" x 1-3/4"), Upper Spigot (33-7/16" x 1-9/16"), Topcap
In-Ground for Rotation Spigot:	1 piece galvanized steel (14-1/4" x 8-1/2" x 5/16"), 1-9/16" pole diameter

Ingenua Ground Screw 75°:	2 piece galvanized steel Lower Screw (35-3/4" x 2-5/8"), Upper Spigot (33-1/2" x 1-9/16")
150 LB Shell Base w/ Rollers:	Silver powder-coated aluminum (28" Rnd x 4")
250 LB Shell Base:	Silver powder-coated aluminum (33" Rnd x 5-1/2")
Rimbou 55 LB Base w/ Rollers:	Galvanized steel base (21-5/8 x 27-1/2" x 1-3/32") w/ silver aluminum decorative cover & stainless steel handle
Infina Click Base:	Anodized aluminum (w/ or w/out wheels) (24" Sq x 5/8"), 88 lbs
Infina Click Base Extra Weight:	(24" Sq x 1/3"), 20 lbs each
Paver Base:	Aluminum (33-1/2" Sq x 4-1/4"), filled w/ 8 pavers = 310 lbs
Paver Base Cover:	Anodized aluminum (34" Sq x 5"), 20 lbs

265 LB Concrete Mobile Base + Lever:	Concrete 3-piece base (31-1/2" Sq x 3-1/3")
Petal Base Small:	13" x 1/2" Sq galvanized steel plates
Petal Base Large:	21-1/2" x 1/2" Sq galvanized steel plates
Concrete Bolts:	8 x 100 mm (5/16" x 3-15/16")
Spigot Bolts:	Standard 10 x 20 mm (25/64" x 25/32") Long 10 x 30 mm for Petal Bases (25/64" x 1-3/16")
Machine Bolts:	10 x 70 mm (25/64" x 2-3/4")

Visit web pages or CD Rom for actual mount photographs.

Distributed by ShadeScapes Americas – 970.527.7070 – umbrosa.shadescapescapesamericas.com – 12.05.12

UMBROSA Mounting Options / 2