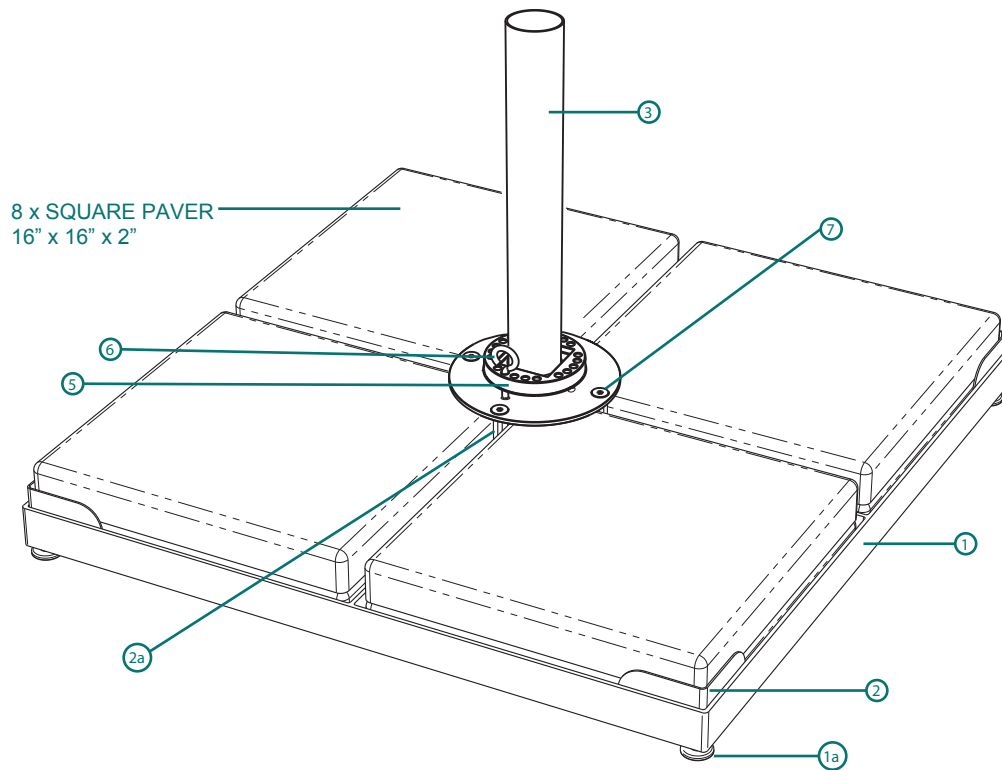


**woodline**  
it's better outside

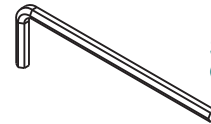
# PICOLLO FREE STANDING PAVER BASE - DOUBLE



Distributor:  
Shadescapes Americas  
TEL: 970.527.7070  
www.shadescapesamericas.com  
info@shadescapesusa.com  
© PROTRADE & WOODLINE cc. 2000

## REQUIRED TOOLS LIST

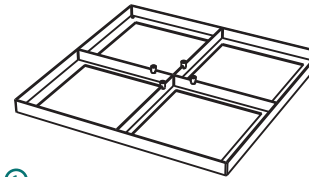
1 X ADJUSTABLE  
CRESCENT WRENCH  
(NOT INCLUDED)



1 x ALLEN KEY  
Size 6mm  
(INCLUDED)

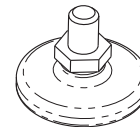
## PARTS LIST

1 x BASE FRAME



Item Code: 13988

5 x ADJUSTABLE  
FEET



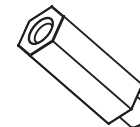
Item Code: 01877

4 x CORNER  
STABILIZING  
BRACKETS



Item Code: 14168

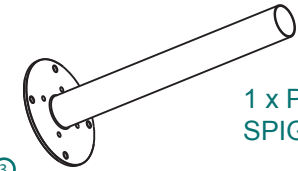
4 x HEX NUT  
SPACERS



Item Code: 13991

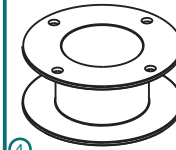
## PARTS LIST

1 x PICOLLO  
SPIGOT



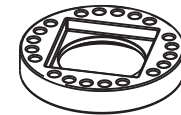
Item Code: 14001

1 x INDEX-ROTATION  
SPACER  
(NOT SHOWN AT LEFT-  
SEE NOTE ON PAGE 2)



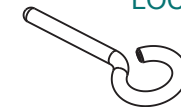
Item Code: 13997

1 x NYLON INDEX-ROTATION  
RING



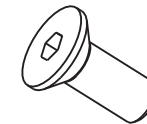
Item Code: 09162

1 x INDEX-ROTATION  
LOCKING PIN



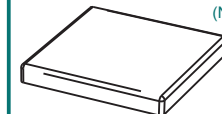
Item Code: 19163

4 x M10 x M20  
FLAT HEAD  
SPIGOT BOLTS

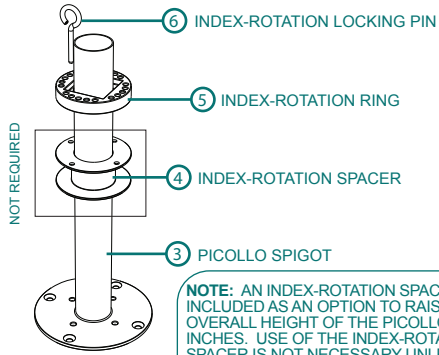


Item Code: 14039

8 x SQUARE PAVER  
16\"/>

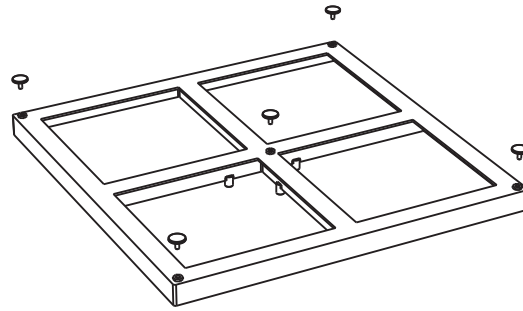


**STEP 1**  
ASSEMBLE PICOLLO SPIGOT AS SHOWN BELOW.



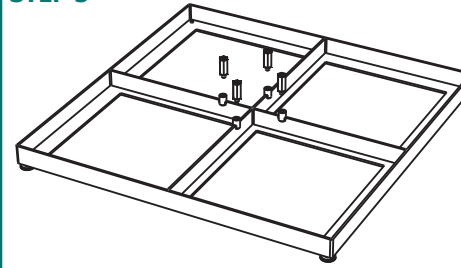
**NOTE:** AN INDEX-ROTATION SPACER (4) IS INCLUDED AS AN OPTION TO RAISE THE OVERALL HEIGHT OF THE PICOLLO THREE INCHES. USE OF THE INDEX-ROTATION SPACER IS NOT NECESSARY UNLESS EXTRA HEIGHT IS REQUIRED.

**STEP 2**



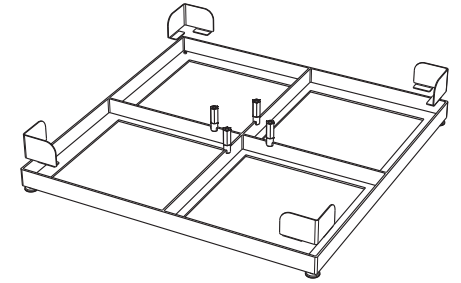
TURN BASE FRAME UPSIDE DOWN AND SCREW IN FIVE ADJUSTABLE FEET.

**STEP 3**



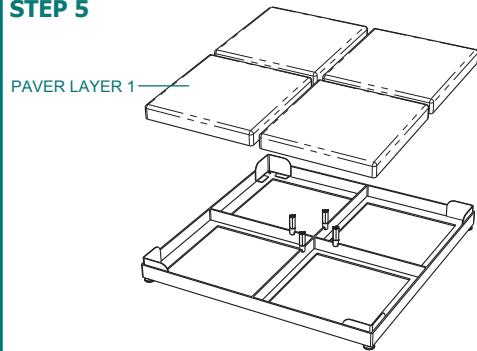
A. REPOSITION THE BASE ON FEET AND LEVEL THE FRAME USING THE FIVE ADJUSTABLE FEET.  
B. SCREW IN THE FOUR HEX NUT SPACERS. ENSURE THE HEX NUT SPACERS ARE TIGHTENED FIRMLY.

**STEP 4**



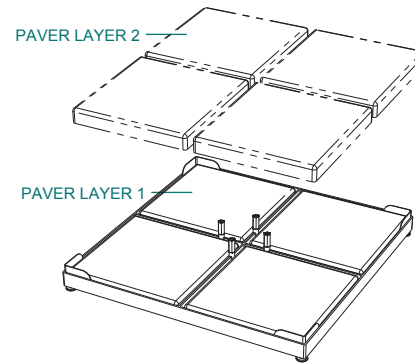
PLACE THE FOUR CORNER STABILIZING BRACKETS AS SHOWN ABOVE.

**STEP 5**



PLACE FOUR CONCRETE PAVERS (NOT INCLUDED) INTO POSITION ON THE BASE FRAME.

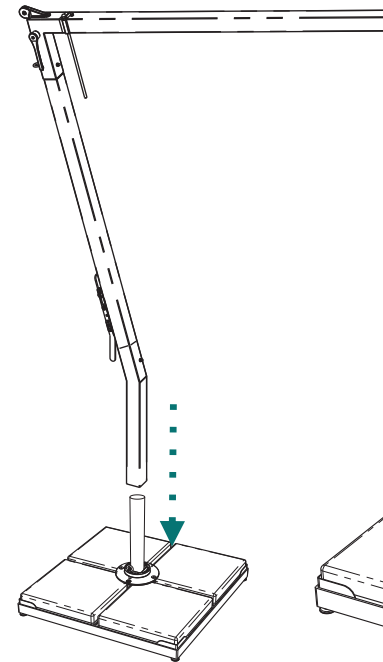
**STEP 6**



PLACE REMAINING FOUR CONCRETE PAVERS (NOT INCLUDED) INTO POSITION ON BASE FRAME.

**STEP 9**

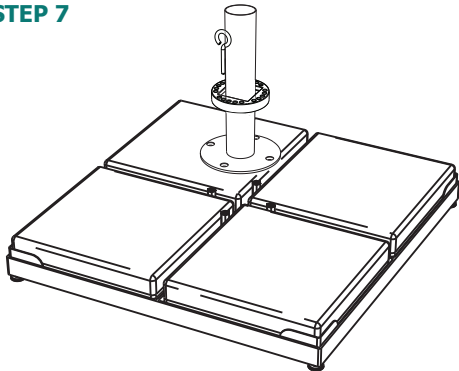
INSTALL THE PICOLLO ONTO THE SPIGOT. SEE SEPARATE INSTRUCTIONS FOR PICOLLO ASSEMBLY INCLUDED IN THE PICOLLO BOXES.



**NOTE:** THE INDEX-ROTATION RING AND PIN ARE USED TO ROTATE THE CANOPY FRAME 360 DEGREES. THERE ARE TWENTY POSSIBLE POSITIONS ON THE INDEX-ROTATION RING. MOVE THE MAST OF THE UMBRELLA (SEE PICOLLO ASSEMBLY INSTRUCTIONS) UNTIL THE DESIRED POSITION OF THE CANOPY IS REACHED. THEN INSERT THE INDEX-ROTATION LOCKING PIN THROUGH ONE OF THE HOLES IN THE INDEX-ROTATION RING WHICH IS ALIGNED WITH ONE OF FOUR HOLES IN THE PICOLLO SPIGOT OR, INDEX-ROTATION SPACER (IF USING). REMOVING THE INDEX-ROTATION LOCKING PIN FROM THE INDEX-ROTATION RING ALLOWS THE MAST TO BE PUSHED INTO A NEW POSITION.

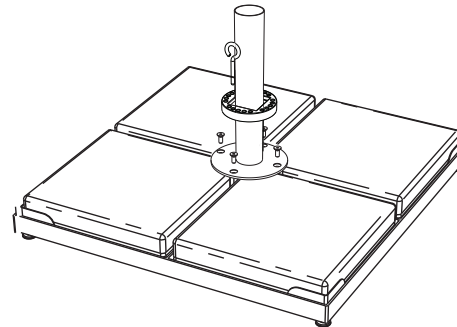
ALWAYS USE THE INDEX-ROTATION LOCKING PIN TO SECURE THE CANOPY FRAME IN THE PLACE.

**STEP 7**



MAKE SURE COUNTERSUNK HOLES ON THE PICOLLO SPIGOT LINE UP WITH THE TREADED HEX NUTS.

**STEP 8**



SECURE THE PICOLLO SPIGOT TO THE BASE FRAME WITH THE FOUR M10 X M20 FLAT HEAD SPIGOT BOLTS. USING THE 6mm ALLEN KEY, ENSURE THE BOLTS ARE TIGHTENED FIRMLY.