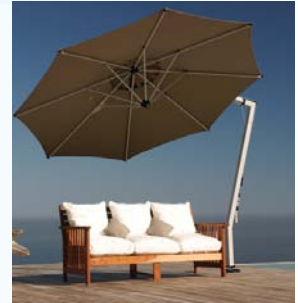


The
WOODLINE Collection
artistic beauty

SPECIFICATIONS

PICOLLO CANTILEVER

With state of the art 360°-rotation and side-to-side tilt function, the Picollo cantilever is one of the most versatile shades in the market today. This umbrella features an intelligent latch and tension system that allows for effortless opening and closing. Following the sun and staying in the shade all day long has never been so poised, so striking, and so totally brilliant.



Features

Design:	Cantilever
Styles:	Euro and Contempo (see Style Options)
Post size:	66 mm x 66 mm (2-5/8" x 2-5/8")
Hub & headfitting::	UV-resistant black glass-filled nylon
Arms & struts:	20 micron silver anodized aluminum
Arm & strut size:	25.35 mm x 14.6 mm (1" x 1-5/8")
Arm & strut thickness:	1.3 mm (3/64")
Connectors (arm to strut):	304 stainless steel hardware (machine screws, washers, self-locking cap nuts)
End caps:	UV-resistant black nylon
Hardware:	304 stainless steel
Opening & closing mechanism:	Latch and lever tension system
Average weight:	22 kg (48 lbs)
Accessories:	Matching protective cover sold separately

Wind Guidelines

The Picollo is designed to handle light to moderate winds in the fully opened position. As with all umbrellas, use common sense and lower the umbrella canopy as winds increase. Keep canopy folded and strapped when unattended.

Canopy Colors

Available in 33 Sunbrella® 100% solution-dyed acrylic colors. See page 3 for more details.

Sizes & Shapes

See page 2 for sizes, shapes and detailed dimensions.

Style Options

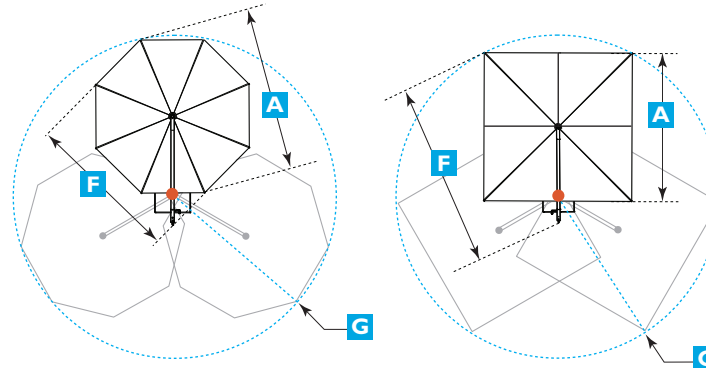
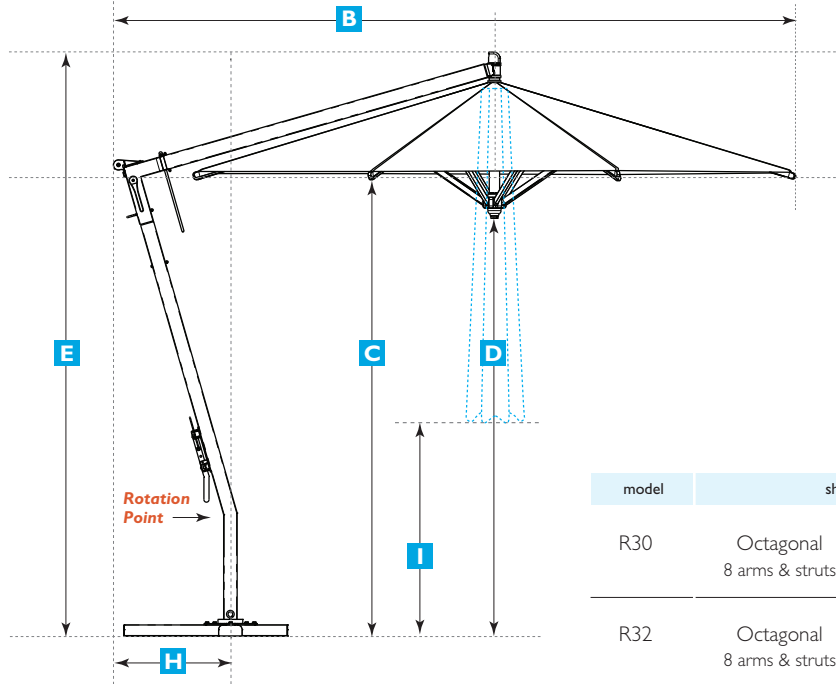
	STRUCTURE		
	Base Sleeve	Post	Boom/Elbow
PICOLLO euro – tilt 	PCA	EH	PCA
PICOLLO contempo – tilt 	*	PCA	PCA
PICOLLO euro – non-tilt 	PCA	EH	PCA
PICOLLO contempo – non-tilt 	*	PCA	PCA

EH Eucalyptus hardwood with polyurethane clear varnish
PCA Silver powder-coated aluminum (finish color name: white aluminum)
 * Base sleeve on this style is part of the post
 NOTE: Post of Picollo euro includes base sleeve and wood insert

All imperial measurements have been converted from metric and are rounded to the nearest inch. For exact dimensions refer to metric measurements.



www.shadescapescapes.com
970.527.7070



- A** Canopy size:
Round – size is measured from tip to tip through the center
Square – size is measured from tip to tip on one side
- B** Back of pulley to front of canopy
- C** Head clearance from arm tip
- D** Head clearance below hub
- E** Overall height
- F** Maximum distance between ends
- G*** Rotation point to farthest arm tip
- H** Minimum clearance from rotation point
- I** Ground clearance when closed
- Rotation point, 360 degrees

model	shape	A (size)	B	C	D	E	F	G*	H	I
R30	Octagonal 8 arms & struts	3.02 m 9'11"	3.19 m 10'6"	2.22 m 7'3"	1.97 m 6'6"	2.70 m 8'10"	3.27 m 10'9"	2.74 m 9'	0.55 m 1'10"	TBC TBC
R32	Octagonal 8 arms & struts	3.22 m 10'7"	3.27 m 10'9"	2.17 m 7'1"	1.97 m 6'6"	2.70 m 8'10"	3.35 m 11'	2.81 m 9'3"	0.55 m 1'10"	.76 m 2'6"
R35**	Octagonal non-tilt 8 arms & struts									
S25	Square 8 arms & struts	2.55 m 8'4"	3.10 m 10'2"	2.15 m 7'1"	1.97 m 6'6"	2.70 m 8'10"	3.38 m 11'1"	2.88 m 9'5"	0.55 m 1'10"	TBC TBC
S30	Square 8 arms & struts	3.04 m 10'	3.35 m 11'	2.10 m 6'11"	1.97 m 6'6"	270 m 8'10"	3.63 m 11'11"	3.12 m 10'3"	0.55 m 1'10"	0.43 m 1'5"

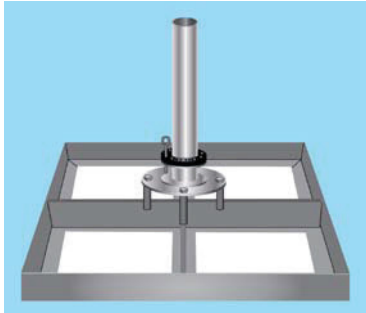
* This distance is measured from the pivot point to the farthest distance from this point on the umbrella. The distance defines the radius of the circle created as the umbrella rotates 360 degrees.

**R35 only available in non-tilt version upon request. Lead time is longer for non-tilt model.

All vertical measurements are taken from the ground level, including free-standing shell base (3" height).

All imperial measurements have been converted from metric and are rounded to the nearest inch. For exact dimensions refer to metric measurements.

Mount Options



Free-standing paver base – double

- 304 stainless steel spigot, 200 mm x 6 mm x 510 mm with spacer (7-7/8" x 1/4" x 20-5/16")
- Galvanized paver base, 800 mm x 800 mm x 75 mm (31-1/2" x 31-1/2" x 3"), fits eight 40.6 mm x 40.6 mm x 5 cm (16" x 16" x 2") pavers; stabilizer brackets and spacers fit two layers of four pavers each



Aluminum base shell 250

- 304 stainless steel spigot, 200 mm x 6 mm x 510 mm with spacer (7-7/8" x 1/4" x 20-5/16")
- Silver aluminum powder-coated base, 800 mm x 800 mm x 75 mm (31-1/2" x 31-1/2" x 3")
- Fill with 100 - 115 kg (225 - 250 lbs) of concrete
- Removable handles



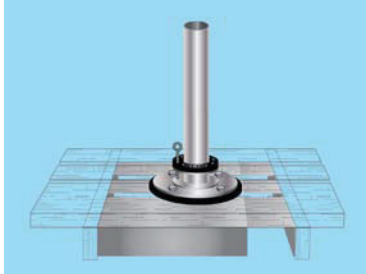
In-ground fitting kit

- 304 stainless steel spigot, 200 mm x 6 mm x 510 mm with spacer (7-7/8" x 1/4" x 20-5/16")
- Galvanized fitting, 200 mm x 510 mm (7-7/8" x 20")



Concrete mount kit

- 304 stainless steel spigot, 200 mm x 6 mm x 510 mm with spacer (7-7/8" x 1/4" x 20-5/16")
- Black powder-coated base plate, 200 mm x 10 mm (7-7/8" x 3/8")



Wooden deck mount kit

- 304 stainless steel spigot, 200 mm x 6 mm x 510 mm with spacer (7-7/8" x 1/4" x 20-5/16")
- Black powder-coated base plate, 200 mm x 10 mm (7-7/8" x 3/8")
- Galvanized below-deck bracket, 300 mm x 300 mm x 3 mm (11-13/16" x 11-13/16" x 1/8")



Galvanized below-deck brackets adjust to width of deck beams.

Canopy Colors

sunbrella™ SOLUTION DYED:

Natural	5404		Plum*	3718	
Vanilla	3787		Macao*	3738	
Canvas	5453		Forest Green	5446	
Namib	3788		Lime*	3936	
Heather Beige	5476		Lemon*	3937	
Taupe	3729		Sunflower*	5457	
Silver Grey	3741		Tuscany	5417	
Stonegrey	7003		Logo Red*	5477	
Ardoise	3737		Burgundy*	5436	
Carbon	3906		Bay Brown*	5432	
Navy Blue	5439		Black	5408	
True Blue*	5499				
Pacific*	5401				

*Color not available for Woodline Papillon

Sunbrella® Fabric Characteristics

- Fade resistant
- Water-repellent
- Resists mildew
- Breathable
- Resists stains
- Easy to clean

Color swatches are for illustration only and may not match original fabric colors. Please refer to original Woodline fabric swatches for accurate fabric color.