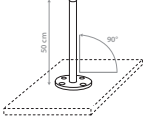

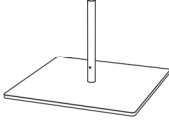
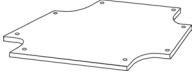
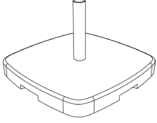
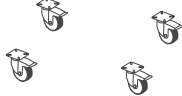



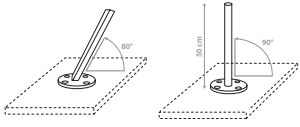
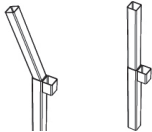

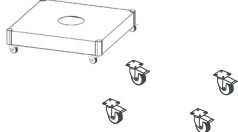
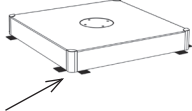











| Bases/fixations | Round support Infina | Concrete Anchorage | Infina base | Infina extra weight plate | Granite base 80 kg | Wheelset |
|--|---|---|--|---|---|---|
| |  |  |  |  |  |  |
| LxWxH cm | Ø22 x 40 | Ø22, H = 35 | 73 x 73 x 1,2 | 60 x 60 | 67 x 67 x 7,5 | - |
| LxWxH inch | Ø7.2"x 1'3.7" | Ø7.2" H = 1'1.8" | 2'4" x 2'4" x 0.5" | 2' x 2' | 2'2"x 2'2"x 2.3" | - |
| Weight kg/lb product | 2,9/6.4 | 4,5/9.9 | 50/110 | 20/44 | 80/176 | - |
| LxWxH cm packaging | 60 x 40 x 30 | 60 x 40 x 30 | 61 x 134 | - | 70 x 79,5 x 8,5 | 33 x 10 x 10 |
| LxWxH inch packaging | 1'9"x 1'3"x 1' | 1'9"x 1'3"x 1' | 2'2.2"x 2'1"x 1.6" | - | 2'3"x 2'6"x 2.6" | 1'0.8"x 3.3"x 3.3" |
| Weight kg/lb packaging | 3,8/8.4 | 4,8/10.58 | 40,5/89.3 | - | 83,7/183 | 1,5/3.3 |
| Material | Galvanised steel | Galvanised steel | Galvanised steel - powder coated ALU Natural or RAL 8022 (Dusk) | Galvanised steel | Granite | |
| Good to know | Required for pole installation | Pit of 60 x 60 x 40 or 2'x 2'x 1'4" filled with concrete | Fits a tube of Ø 50 1'6" | - | Wheels optional | Infina / Granite base 80 kg |
| INFINA | | | | | | |
|  R0300 | ● | ● | ● | ● | ● | ● |
|  SQ250 | ● | ● | ● | ● | ● | ● |
|  SQ300 | ● | ● | ● | ● | ● | ● |

| Bases/fixations | Round support 80°/90° | Inground Anchorage 80°/90° | Concrete Anchorage | Tile base | Stabilizers (Tile base) |
|---|---|---|---|--|---|
| |  |  |  |  |  |
| LxWxH cm | Ø22, H = 50 | 90 x 19 | Ø22, H = 35 | 85 x 85 x 17 | - |
| LxWxH inch | Ø7.2" H = 1'6.4" | 2'9.4" x 3.2" | Ø7.2" H = 1'1.8" | 2'7.8"x2'7.8"x 6" | - |
| Weight kg/lb product | 4/8.8 | 5,5/12.1 | 4,5/9.9 | 15,6/34.5 + 6/14 | - |
| LxWxH cm packaging | 60 x 40 x 30 | na | 60 x 40 x 30 | 86 x 86 x 17 | 32 x 25 x 4 |
| LxWxH inch packaging | 1'9"x 1'3"x 1' | na | 1'9"x 1'3"x 1' | 2'10"x 2'10"x 3.1" | 1'0.4"x 8.2" x 1.3" |
| Weight kg/lb packaging | 4,3/9.4 | na | 4,8/10.58 | 15,95/35.1 + 6,38/14,6 | 4,6/10.14 |
| Material | Galvanised steel | Galvanised steel | Galvanised steel | Galvanised steel and anodized aluminum plate 1,5 mm | Galvanised steel |
| Good to know | Required for pole installation | Pit of 60 x 60 x 40 or 2' x 2' x 1'4" filled with concrete | Pit of 60 x 60 x 40 or 2' x 2' x 1'4" filled with concrete | Fill with 12 tiles 400 x 400 x 38 mm/16"x-16"x2" - weight 178 kg/392lb. Wheels optional. | |
| PARAFLEX | | | | | |
|  | • | • | | • | • |
|  | • | • | | • | • |
|  | • | • | | | • |
| ICARUS | | | | | |
|  | INCL | | • | • | • |
| ECLIPSUM | | | | | |
|  | INCL | | • | • | • |
| SPECTRA | | | | | |
|  | INCL | | • | • | • |
|  | INCL | | • | • | • |
|  | INCL | | • | • | • |
|  | INCL | | • | | • |