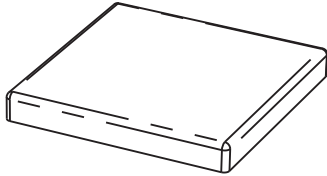




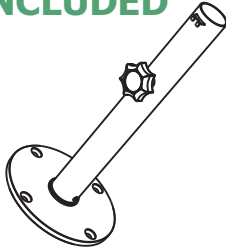
WOODLINE FREE STANDING US PAVER BASE KIT - SINGLE

(SEE OVERLEAF FOR ASSEMBLY DIAGRAM.)

PARTS NOT INCLUDED

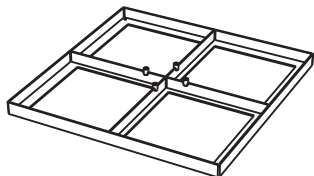


4 x SQUARE
16 X 16 X 2" CONCRETE
SLABS

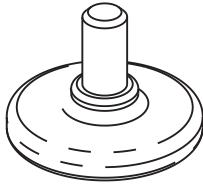


1 x CENTRE POLE TUBE
FOR 25/32/38 mm

PARTS LIST



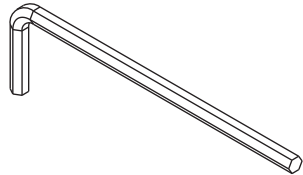
1 x BASE FRAME



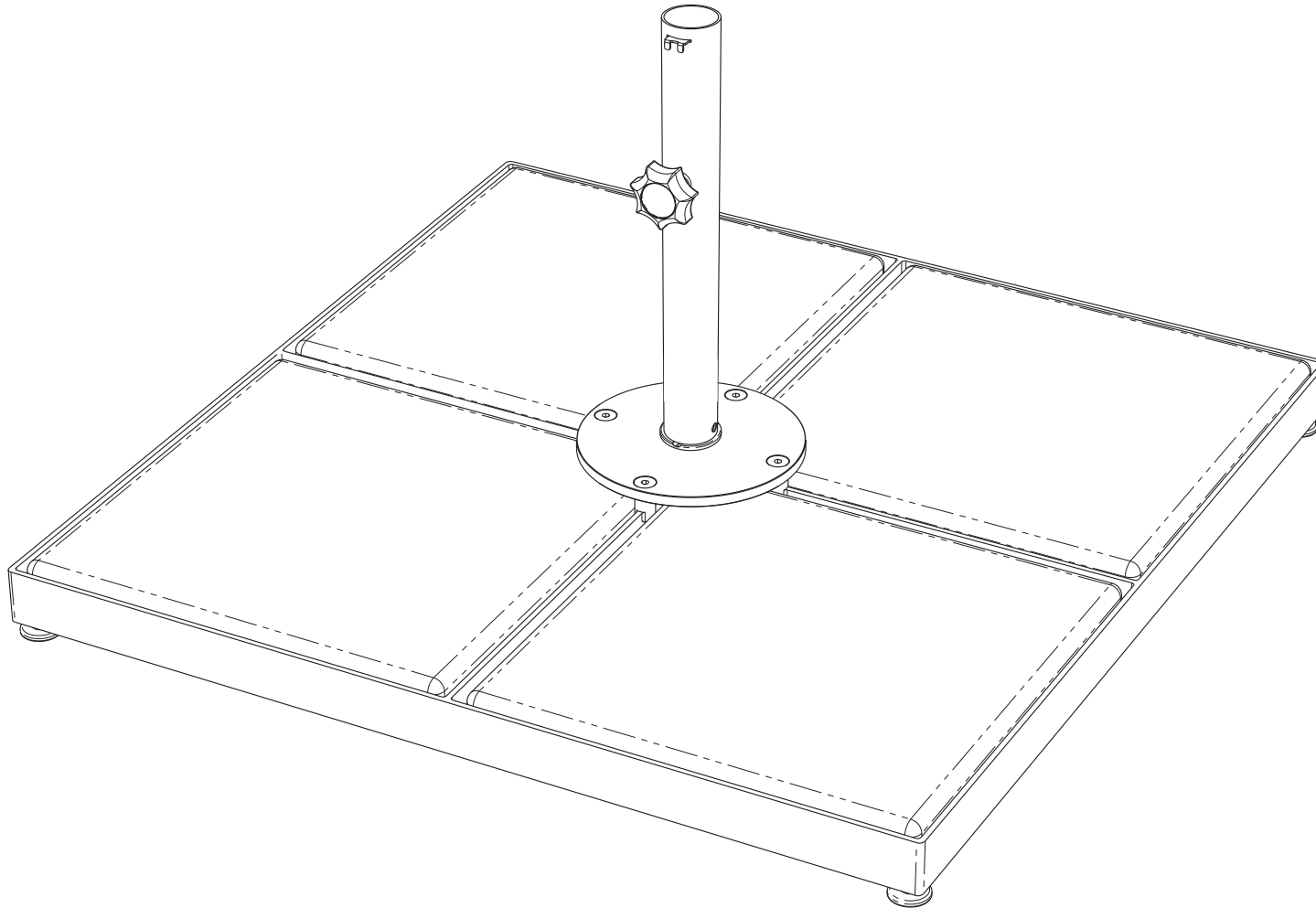
5 x ADJUSTABLE FEET



4 x M10 x 16
COUNTERSUNK BOLTS

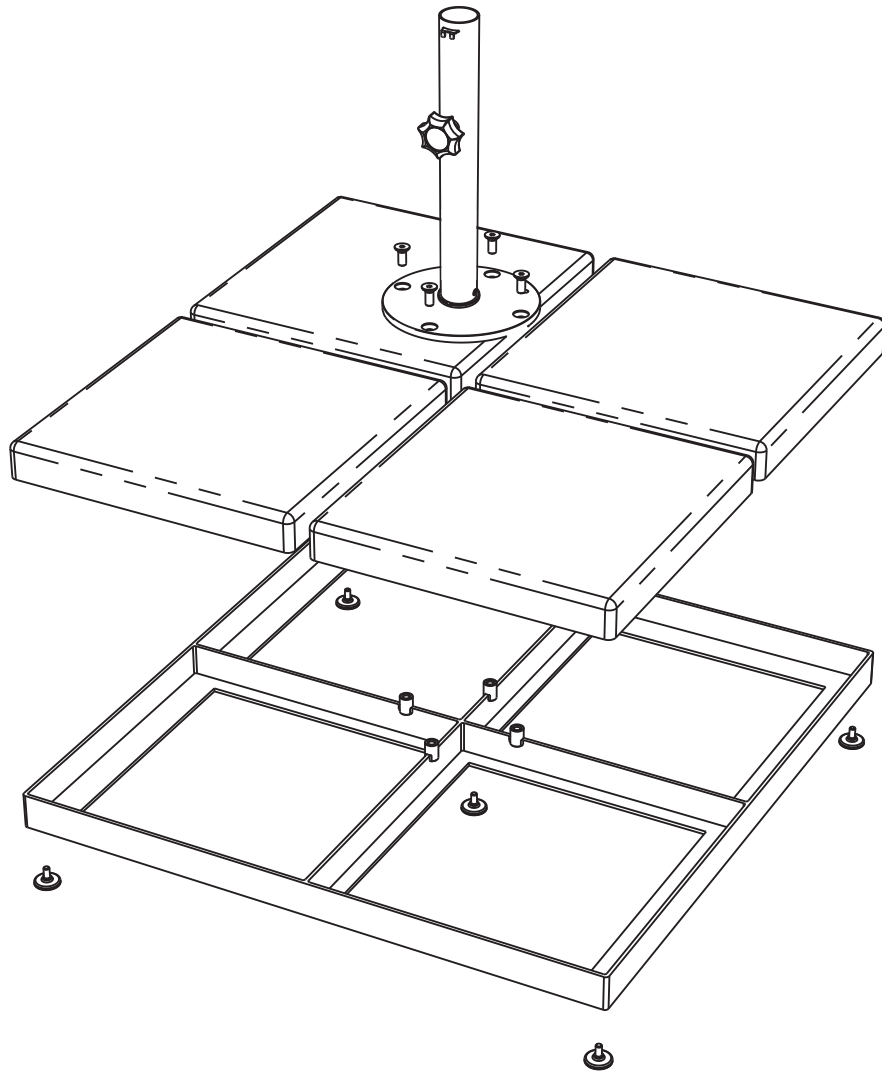


1 x ALLEN KEY

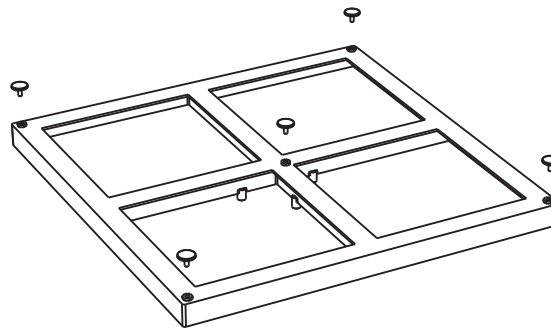


WOODLINE FREE STANDING US PAVER BASE KIT - SINGLE

(SEE OVERLEAF FOR ASSEMBLY DIAGRAM.)

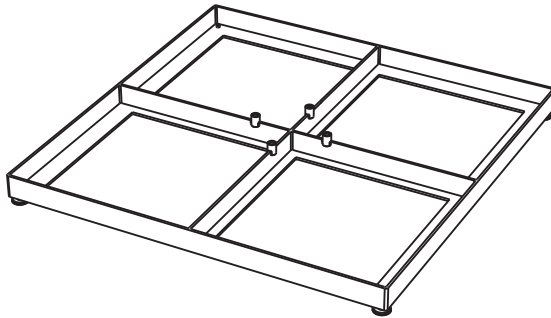


STEP 1



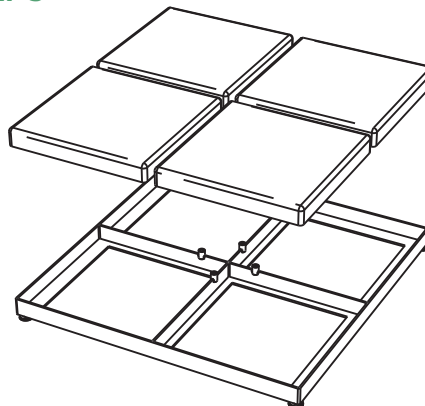
TURN BASE FRAME UPSIDE DOWN AND SCREW IN 5 ADJUSTABLE FEET

STEP 2



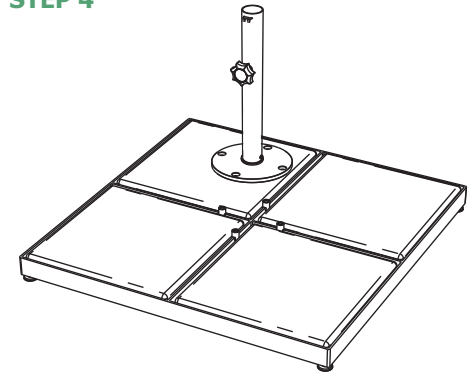
REPOSITION BASE ON FEET & LEVEL THE BASE FRAME USING THE 5 ADJUSTABLE FEET

STEP 3



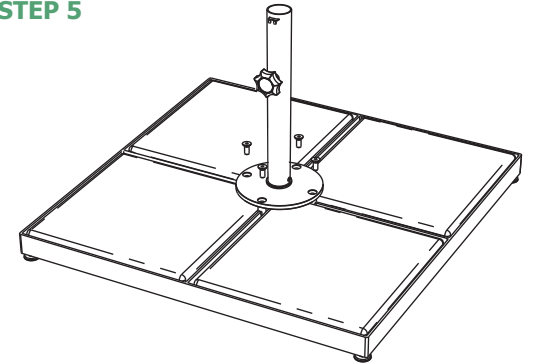
PLACE 4 CONCRETE PAVERS INTO BASE FRAME

STEP 4



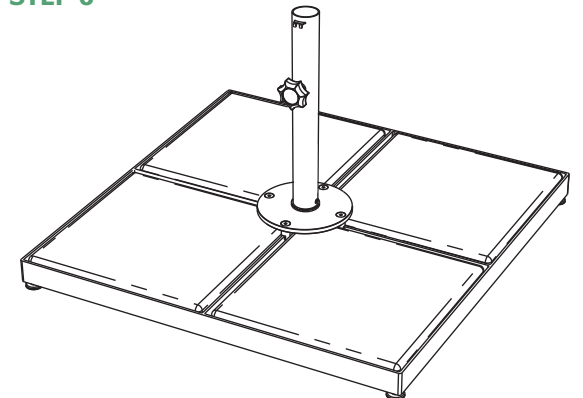
ENSURE THE BASE PLATE COUNTERSUNK HOLES LINE UP WITH THREADED STUDS ON BASE FRAME.

STEP 5



USE THE 4 COUNTER SUNK BOLTS AND ALLEN KEY TO TIGHTEN THE CENTER POLE & BASE FRAME TOGETHER. MAKE SURE VERY THING IS NICE & TIGHT

STEP 6



FREE STANDING BASE IS NOW READY ATTACH CENTER POLE TUBE