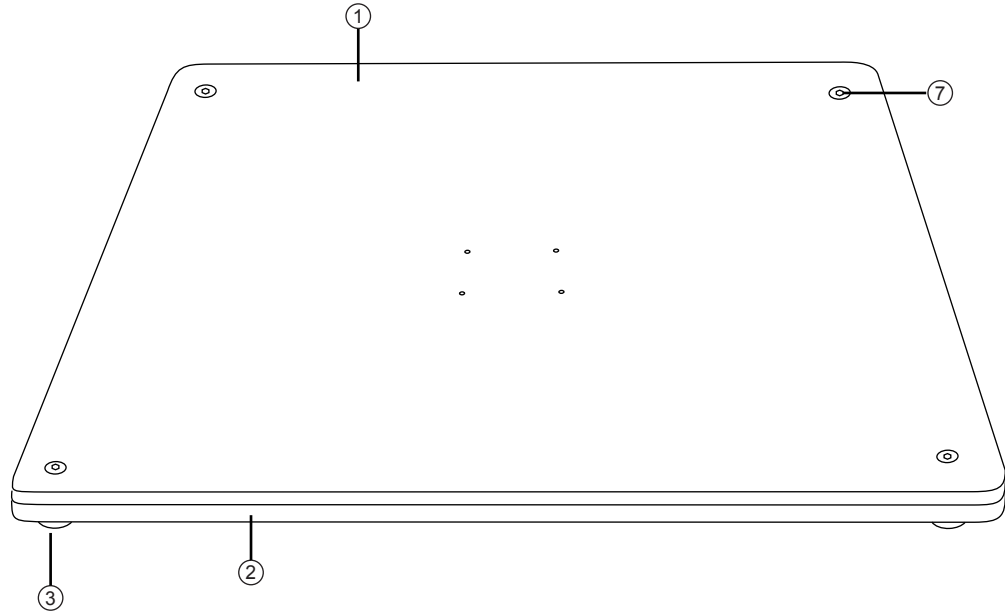


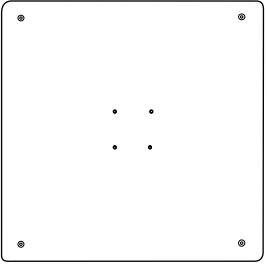
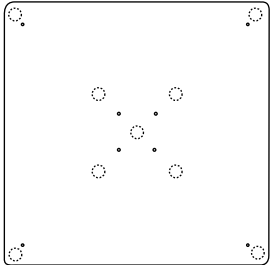
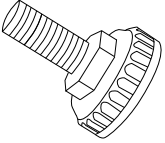
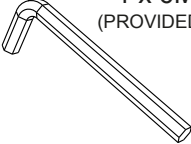
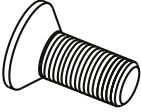
**woodline**  
 shade solutions

ASSEMBLY INSTRUCTIONS:  
 463lb/210kg DOUBLE STACK  
 METAL BASE PLATE


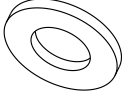


For alternative base options please view our website  
[www.shadescaresusa.com](http://www.shadescaresusa.com)

**BASE ASSEMBLY**

<p>1 X TOP PLATE</p>  <p>① 0,5" / 12mm thickness</p>	<p>1 X BOTTOM PLATE</p>  <p>② 0,6" / 16mm thickness</p>
<p>③ 9 x M10 x 25mm        ADJUSTABLE        NYLON FEET        (WITH LOCK NUT - M10)        (INSTALLED IN        BOTTOM PLATE)</p> 	<p>④ 1 x 6MM ALLEN KEY        (PROVIDED IN HARDWARE BAG)</p> 
<p>⑤ 4 X M10 x 25        COUNTERSUNK SCREWS        (PROVIDED IN HARDWARE BAG)</p> 	

**SPIGOT ASSEMBLY**

<p>⑥ 4 x M10 x 35        BUTTON HEAD SCREWS        (PROVIDED IN HARDWARE BAG)</p> 	<p>4 x M10        FLAT WASHERS        (PROVIDED IN HARDWARE BAG)</p> 
---	--

**IMPORTANT: INSTRUCTIONS FOR USING ADJUSTABLE NYLON FEET (SEE FIGURE 1)**

\* An adjustable set (M10 X 25mm in height) has been pre-installed in the bottom plate and has a lock nut. After each nylon foot has been adjusted to the desired height, tighten the lock nut against the plate.

\* Place the base on level ground, use the pre-installed adjustable nylon feet with locking nut to stabilize the base where there are any small deviations in the ground surface.

\* The bottom plate may be placed directly on the surface, but the surface must be sufficiently flat, or the double plate base may rock, possibly damaging the ground surface. It is recommended to use the adjustable nylon feet which will protect the surface, and allow for easier cleaning around and underneath the base.

\* Using the adjustable nylon feet will allow for safe handling and easier lifting of the base plate and also reduce the chance of injury.

\* General requirement: when adjusting the adjustable nylon feet, the thread of each adjustable foot must be inserted a minimum of 3/8" (10mm) into the 0.6" (16mm) bottom plate. When levelling or stabilizing the double base plate, do not unscrew the adjustable nylon feet out from the bottom of the plate more than 3/8" (10mm) from the fully installed position.

**\* IMPORTANT: BASE PLACEMENT PENDULUM UMBRELLA**

If mounting near a wall, it is necessary to ensure there is sufficient room for the umbrella to rotate. The back edge of the bottom plate should be placed at least 5" out from any wall. This will allow for the back edge of the structure to rotate, and prevent the structure from coming into contact with the wall in the event of rocking caused by wind.

**Please refer to the assembly instructions of the umbrella for dimensions**

**STEP 1:**

- A Determine the desired location for mounting your cantilever or center pole umbrella.
- B Using 4 people, with 1 person at each corner of the box, lift and move the box to one side of the chosen installation location.
- C Remove the strapping material and cardboard edge channels. Open box flaps to expose the top side of the plates ① & ②.
- D Note the pre-installed adjustable nylon feet ③ have been protected during shipping with four wooden slats. Using 4 people, lift the plate up, making sure all 4 wooden slats and the zip lock bag (containing the hardware) are left in the box. Move the plate clear of the cardboard box and packaging materials.
- E Carefully set the plate down. Grip the plate on all 4 corners and lift the plate again, placing it in the desired location.

**STEP 2:**

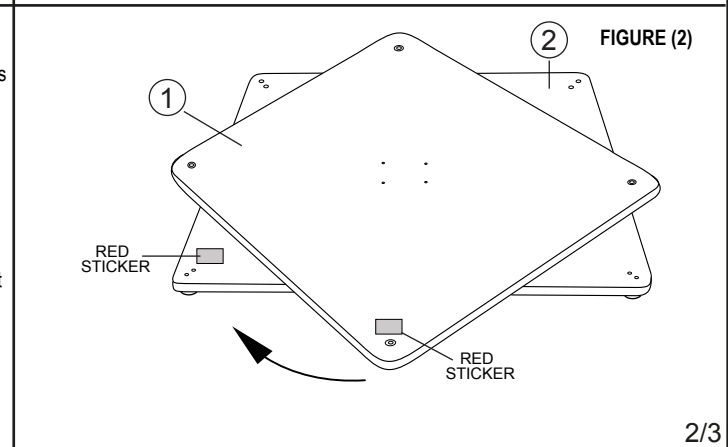
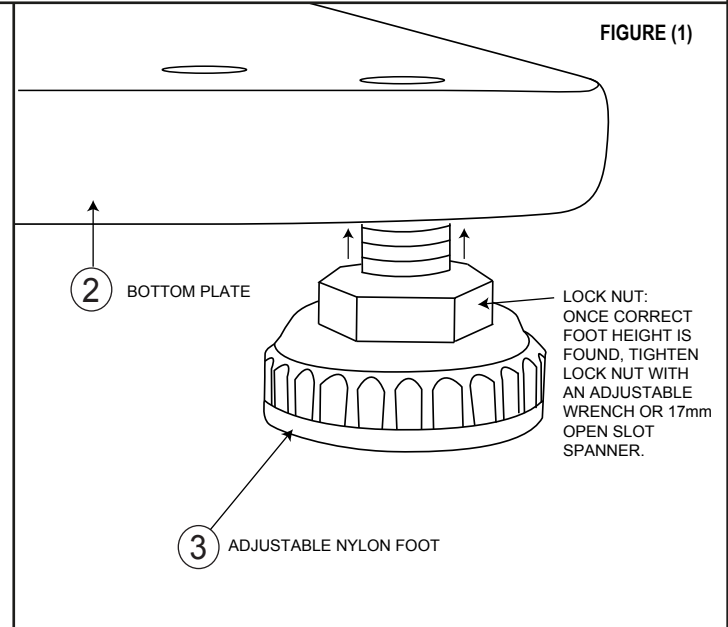
- A Level and stabilize the bottom plate using the adjustable nylon feet. ③
- B When adjusting the height of the adjustable nylon feet ③, loosen the lock nut and screw the foot in or out as needed. When the foot is the correct height, use a 17mm open slot spanner or an adjustable wrench to re-tighten the lock nut. **\*REFER TO FIGURE (1)**
- C After the bottom plate is stabilized and levelled using a spirit level, check to confirm each adjustable nylon foot ③ does not extend above the top side of the bottom plate. They must be flush with, or below the surface.

**\*IMPORTANT: Make sure the adjustable nylon feet do not protrude above the top surface of the bottom plate ②, or they will interfere with the top plate.**

**STEP 3:**

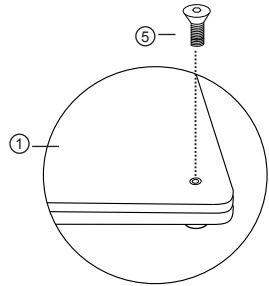
- A Place the top plate ① on the bottom plate ② at right angles so the corners extend over the sides of the bottom plate and the corner with the red sticker on the top plate is adjacent to the corner with the red sticker on the bottom plate.
- B Rotate the top plate ① so the two marked holes are aligned.
- C Slide to make sure all plate edges and corner screw holes are aligned.

**\*IMPORTANT:** The bottom plate ② and top plate ① must be properly oriented with each other to allow for proper alignment of all screw holes. This corner has been marked with a red sticker and must be aligned with the countersunk hole on the top plate ①, which has also been marked with a red sticker. **\*REFER TO FIGURE (2)**



**STEP 4:**

**A** Insert the 4 M10 x 25 screws ⑤ into the countersunk corner holes in the top plate ① and hand tighten.

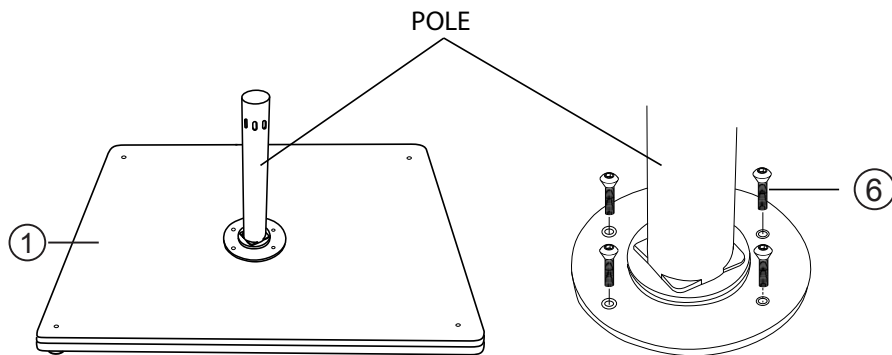


**STEP 5:**

**A** Remove the spigot/stand from its box (boxed separately).

**B** Align the spigot/stand with the holes in the center of the top plate.

**C** Hand-tighten all 4 x button head screws ③.



**CARE AND MAINTENANCE**

- \* Because it is made of galvanized steel, the double plate base will last a lifetime. However, the plates will darken and naturally patina with age.
- \* Occasionally hose and wipe down the surface with a clean cloth to remove dust, dirt, oils etc.
- \* The threaded holes in the double plate base have been lightly greased to protect the threading of the stainless steel hardware.
- \* In general, no maintenance is required, however, depending on the severity of the environment, it is advisable to apply a small amount of grease to all threaded screws every few years.