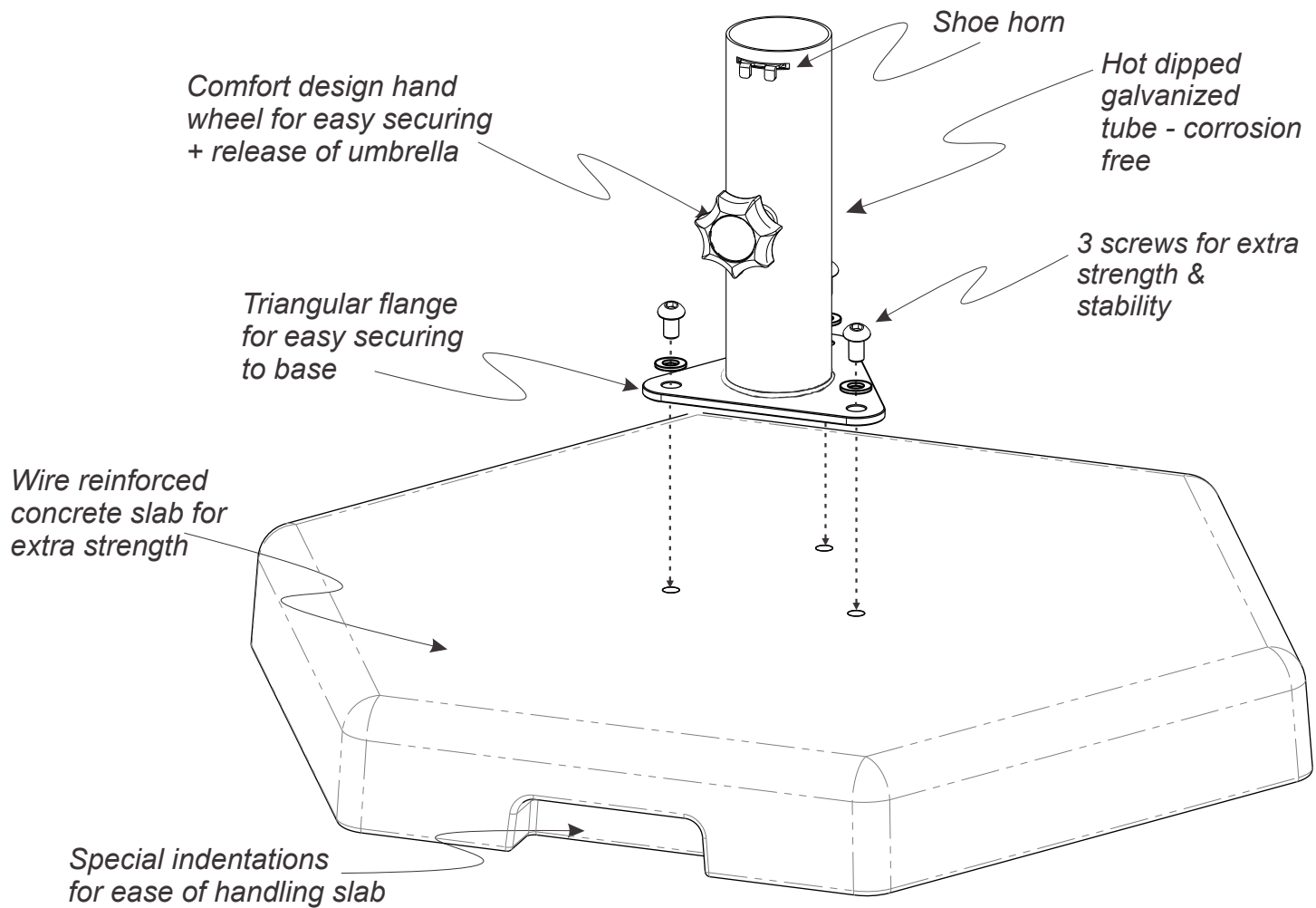


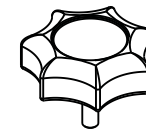
woodline

shade solutions

ASSEMBLY INSTRUCTIONS: 121LBS / 55KG CONCRETE BASE AND STAND

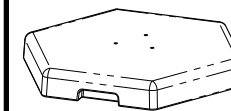
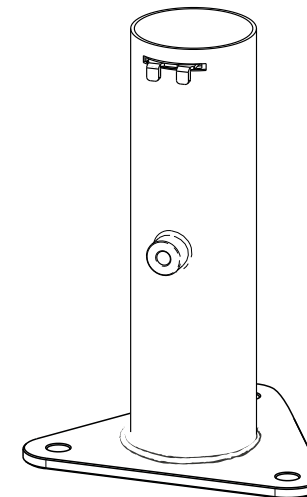


PARTS LIST

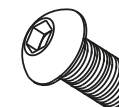


1 x FASTENING WHEEL

1 x HOT DIPPED GALVANIZED METAL STAND



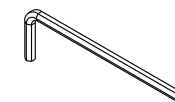
1 x REINFORCED CONCRETE SLAB



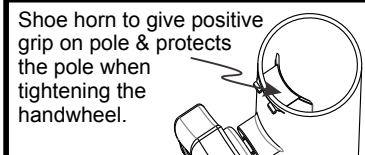
3 x M10 x 16 BUTTON HEAD SCREWS



3 x M10 WASHERS



1 x 6mm ALLEN KEY



Shoe horn to give positive grip on pole & protects the pole when tightening the handwheel.

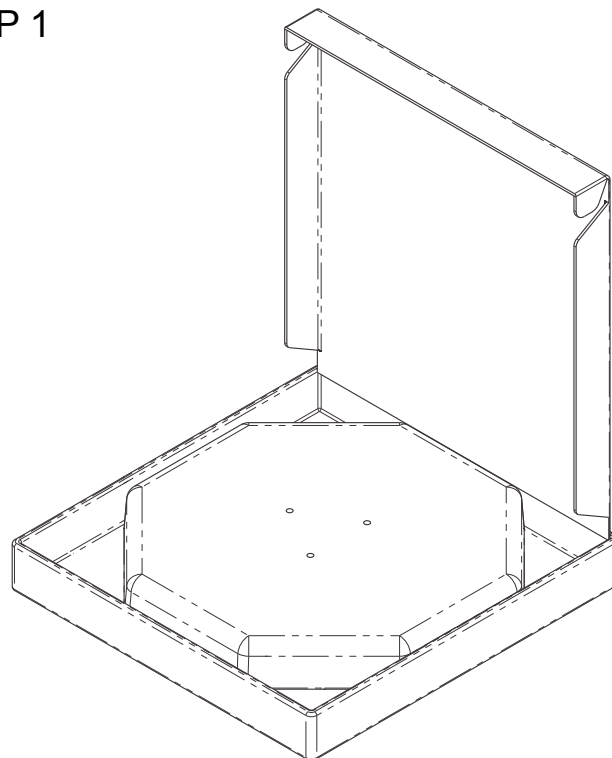
woodline

shade solutions

For alternative base options
please view our website
www.shadescapesusa.com

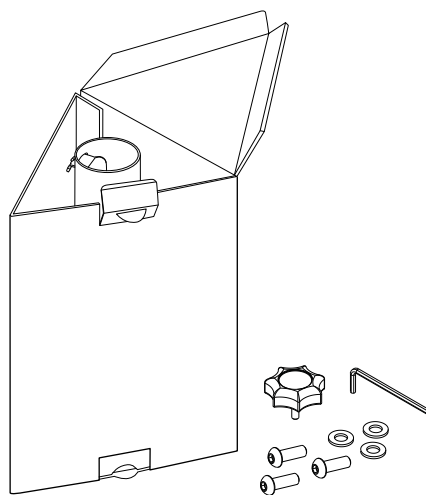
Distributor | 970.527.7070 - www.shadescapesusa.com

STEP 1



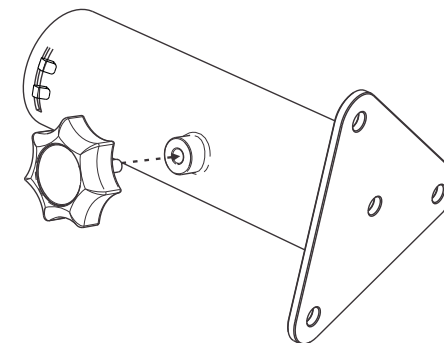
Open the flat square packaging box containing the concrete base.

STEP 2



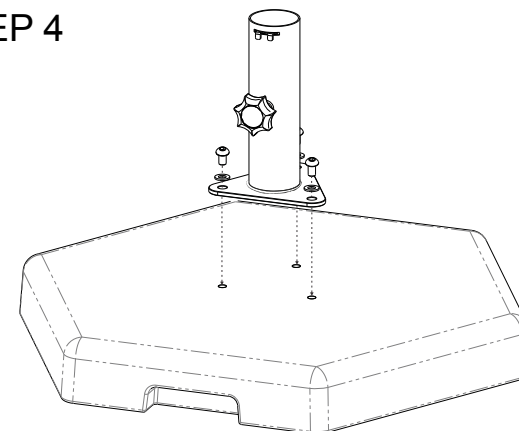
Open triangular box packaging containing the triangular galvanised metal stand, plus the allen key, fastening wheel, 3 x washers and 3 x screws in a ziploc bag.

STEP 3



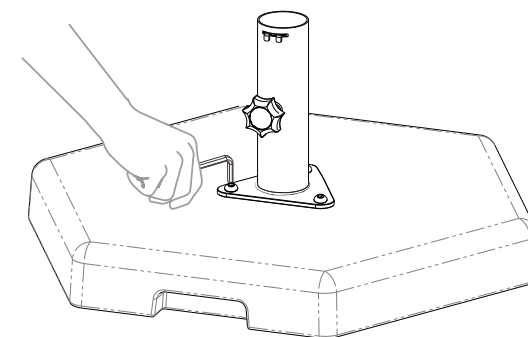
Attach the fastening wheel as illustrated above.

STEP 4



Secure the 3 x screws, washers and metal stand to base.

STEP 5



Use supplied allen key to ensure that all 3 screws are fastened tightly.
NOTE: The fastening wheel will need to be loosened when inserting the umbrella pole into the base.