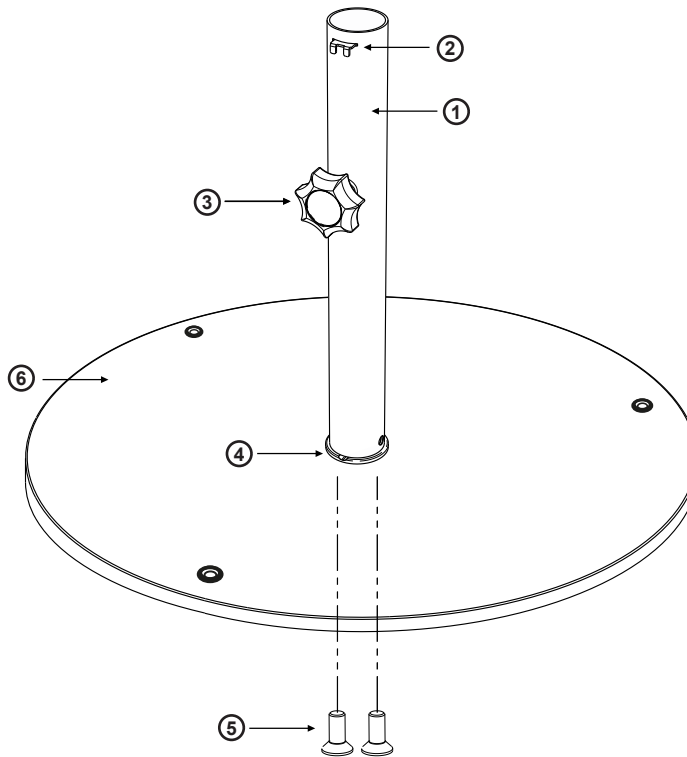
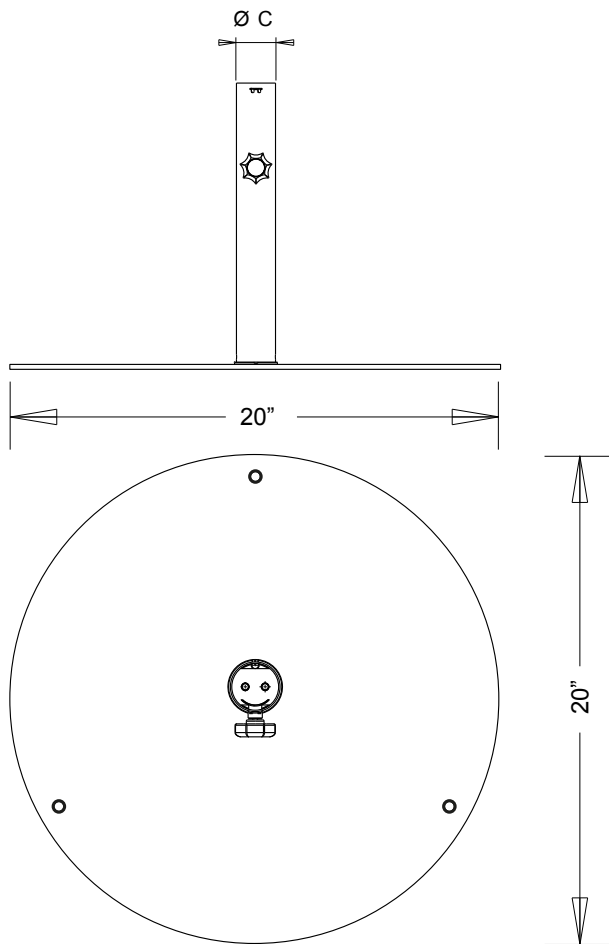
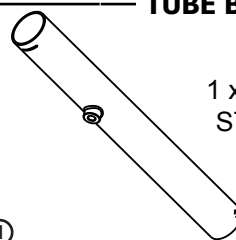
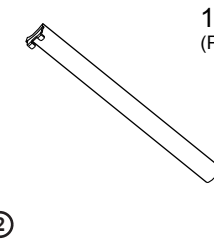
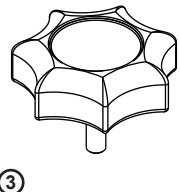

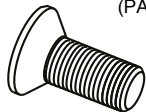
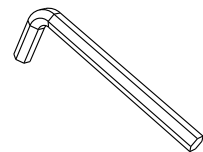


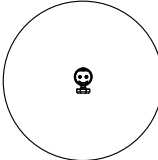
woodline

shade solutions

ASSEMBLY INSTRUCTIONS: 20 inch/508 mm ROUND METAL BASE PLATE + POLE TUBE



TUBE BOX	
	1 x STAINLESS STEEL TUBE
	1 x SHOEHORN (PACKED WITH TUBE)
	1 x FASTENING WHEEL (PACKED WITH TUBE)
	1 x NYLON WASHER (PACKED WITH TUBE)
	2 x M10 x 35 COUNTERSUNK SCREWS (PACKED WITH TUBE)
	1 x 6mm ALLEN KEY (PACKED WITH TUBE)

METAL BASE BOX


STEP 1

NOTE: It is recommended to have 2 people assemble the square base.

Remove the stainless steel tube from the box. Observe how the nylon washer is fitted into the stainless steel tube.

Use the 6mm allen key to remove the 2 x M10 x 35 countersunk screws from the bottom end of tube.

STEP 2

Use the packaging as a work surface to protect the base during assembly.
Tilt the plate vertically onto its side and hold it in place.

STEP 3

Attach the tube (1) to the base plate (6). **NOTE:** The two center holes on the *underside* of the base are countersunk so the screws will fit flush when tightened. Insert one screw through the bottom of the base and into the corresponding hole in the tube. Do not tighten until the other screw is in place.

STEP 4

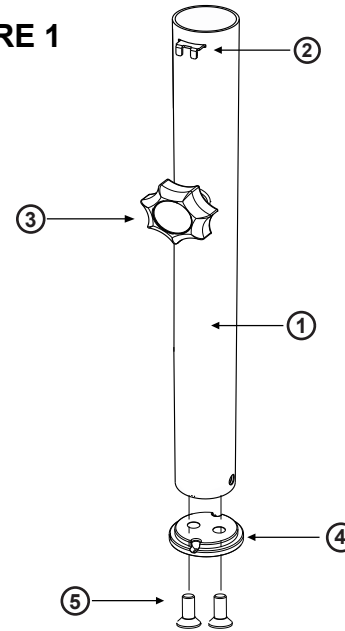
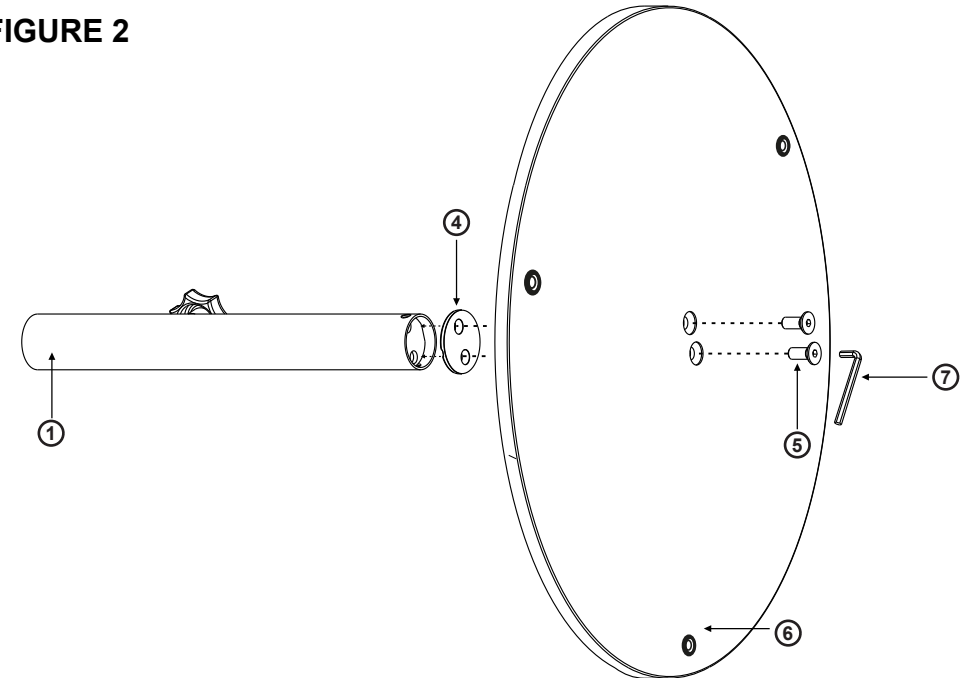
Place the second screw through the bottom of the base and into the remaining hole in the tube.

STEP 5

Tighten both screws firmly with the allen key.

STEP 6

Loosen the fastening wheel from the tube. Insert the umbrella pole in the tube.
NOTE: If used with a table, put the umbrella pole through the table first, then into the tube.
IMPORTANT: Tighten the fastening wheel until the pole cannot be lifted out of the tube.

FIGURE 1**FIGURE 2**

For alternative base options please view our website
www.shadescapesusa.com