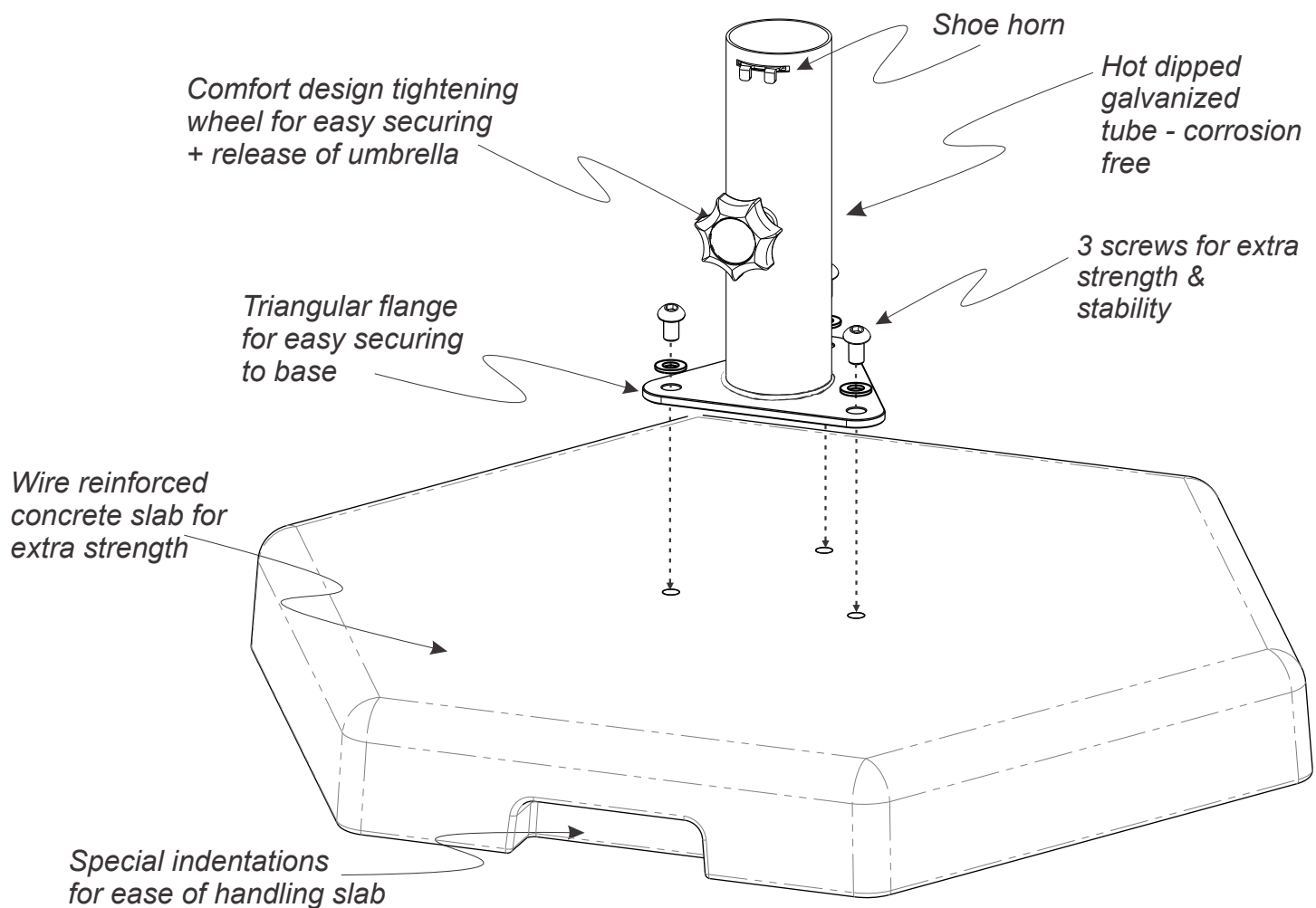


# woodline

shade solutions

## ASSEMBLY INSTRUCTIONS: 66LBS / 30KG CONCRETE BASE AND STAND

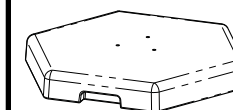
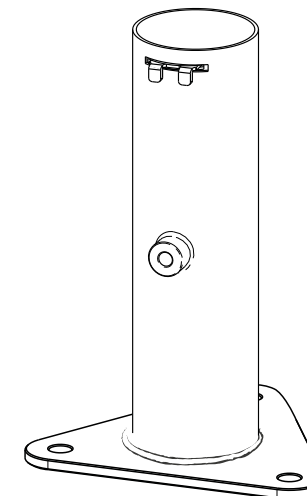


### PARTS LIST

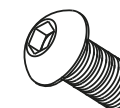


1 x FASTENING WHEEL

1 x HOT DIPPED GALVANIZED METAL STAND



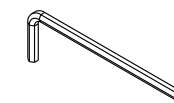
1 x REINFORCED CONCRETE SLAB



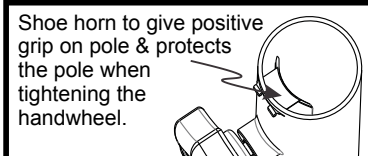
3 x M8 x 16 BUTTON HEAD SCREWS



3 x M8 WASHERS



1 x 5mm ALLEN KEY



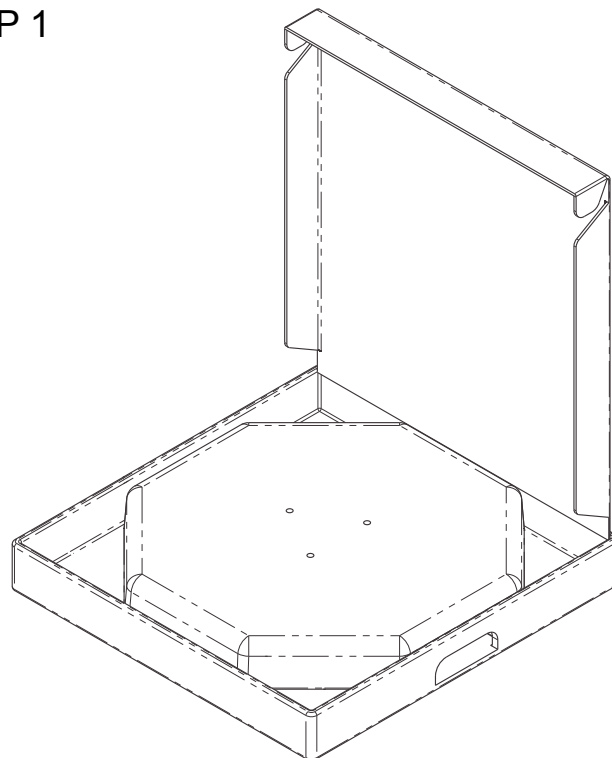
# woodline

shade solutions

For alternative base options  
please view our website  
[www.shadescapesusa.com](http://www.shadescapesusa.com)

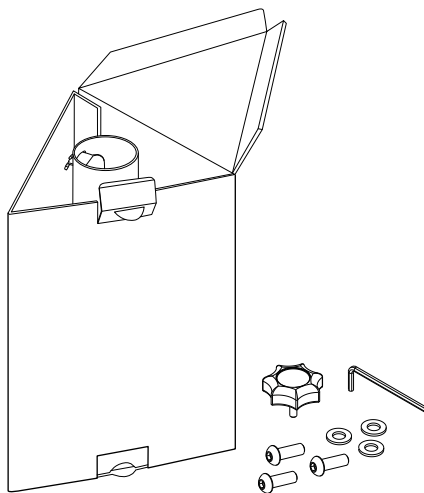
Distributor | 970.527.7070 - [www.shadescapesusa.com](http://www.shadescapesusa.com)

## STEP 1



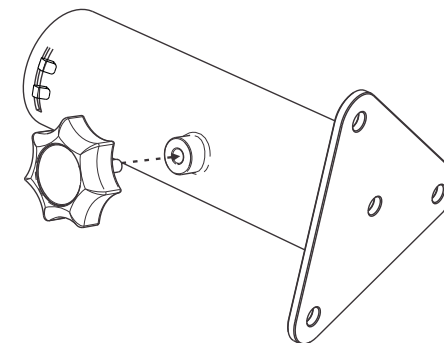
Open the flat square packaging box containing the concrete base.

## STEP 2



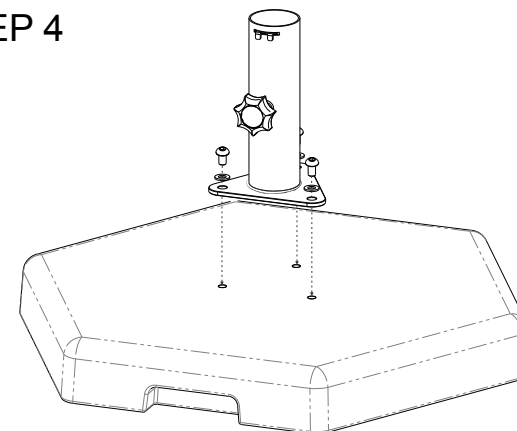
Open triangular box packaging containing the triangular galvanised metal stand, plus the allen key, fastening wheel, 3 x washers and 3 x screws in a ziploc bag.

## STEP 3



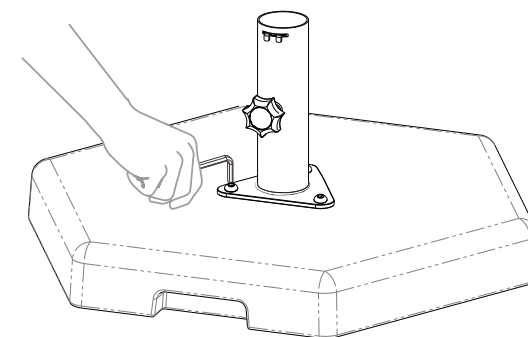
Attach the fastening wheel as illustrated above.

## STEP 4



Secure the 3 x screws, washers and metal stand to base.

## STEP 5



Use supplied allen key to ensure that all 3 screws are fastened tightly.  
NOTE: The fastening wheel will need to be loosened when inserting the umbrella pole into the base.