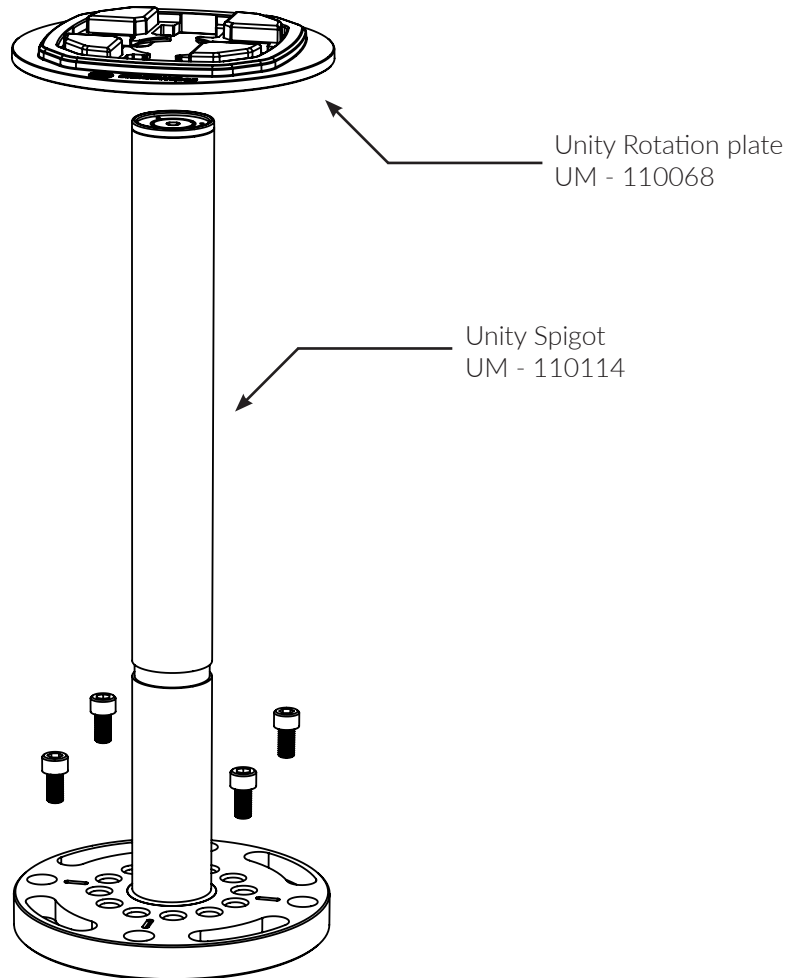


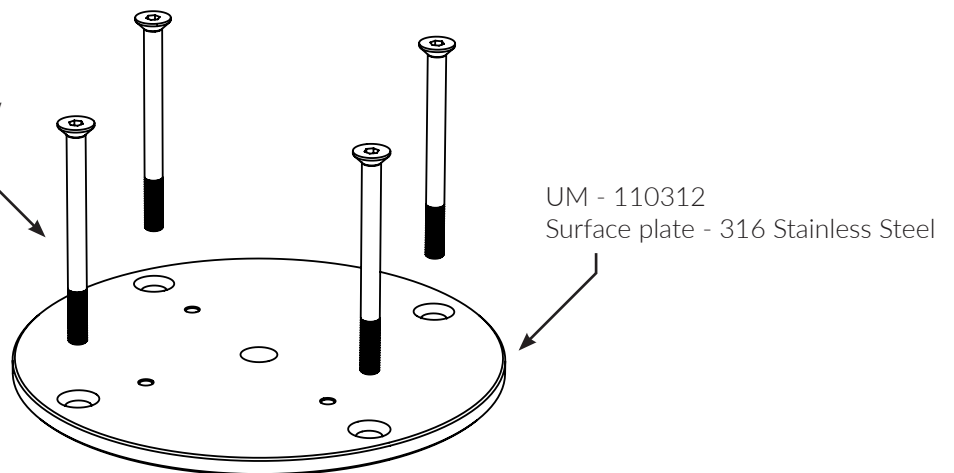


**M10/M12 Countersunk Bolts
with Nyloc Nuts.
Recommended for Wooden Deck
installations**

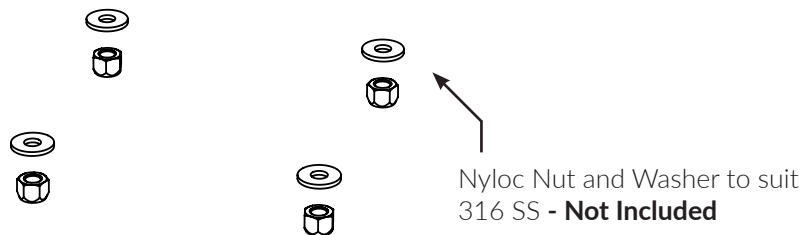


4x M10 x 20 Cap Screw
316 Stainless Steel
Included with Umbrella

4x M10 - M12 CSK Socket Screw
Length to match application
150mm - 200mm | 6" - 8"
316 Stainless Steel
Not included



UM - 110312
Surface plate - 316 Stainless Steel



Nyloc Nut and Washer to suit
316 SS - **Not Included**

NB: It is the responsibility of the installer to ensure that any fixings used in the installation of the umbrella surface plate are suitable for the application

