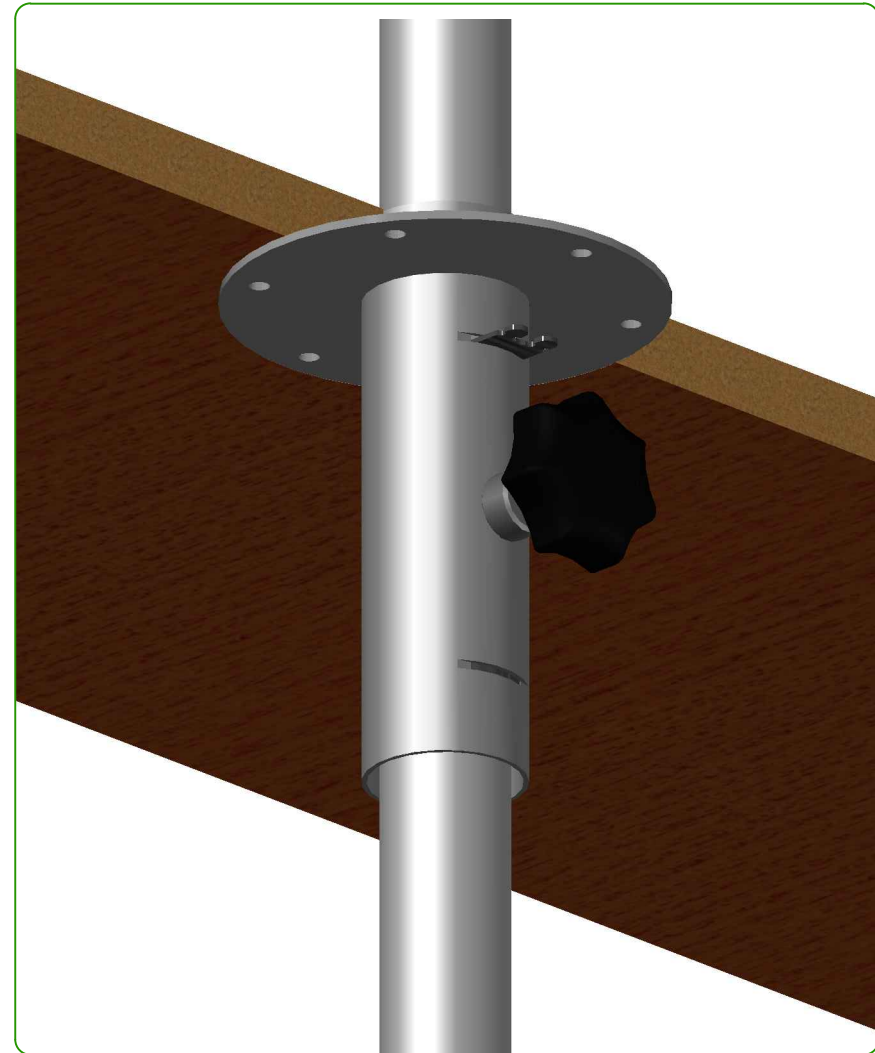


EXTENDED TABLE CLAMP TOP ISOMETRIC VIEW
(TABLE TOP TRIMMED FOR CLARITY)



EXTENDED TABLE CLAMP BOTTOM ISOMETRIC VIEW
(TABLE TOP TRIMMED FOR CLARITY)

ADDRESS: PROTRADE & WOODLINE MANUFACTURING
32 North Rand Road,
Hughes ext.Boksburg,
Gauteng,
South Africa

TEL: +27 (0)11 826 4033
FAX: +27 (0)11 826 4032
WEB: www.woodline.co.za

woodline_{cc}
it's better outside